

Fuel Delivery/Vapor Recovery

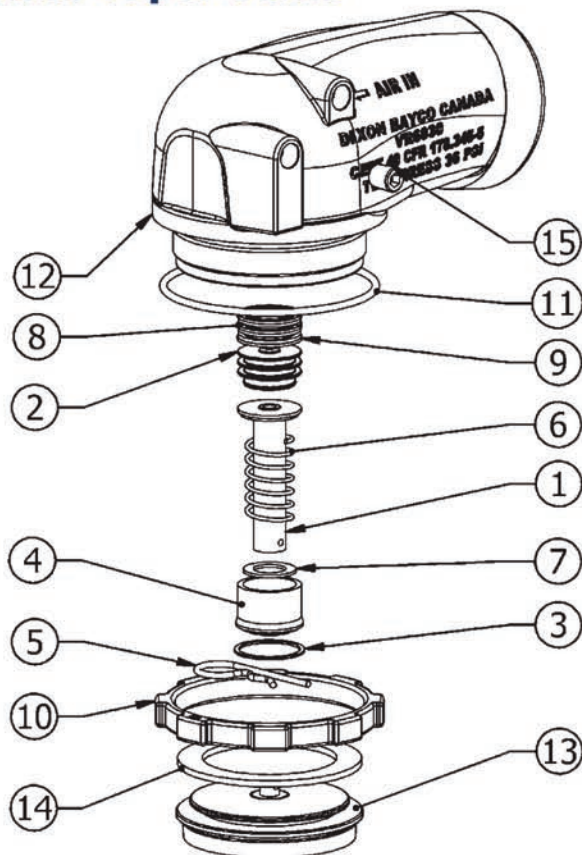
VR6030SQ Series Sequential Vapor Vents

Bill of Materials

| Item # | Description | Part # | Qty |
|--------|-------------------------|-------------------|-----|
| 1 | stem | 400636 | 1 |
| 2 | piston | use kit VR6030RK2 | 1 |
| 3 | retaining ring | 111681 | 1 |
| 4 | bearing | 390822 | 1 |
| 5 | hitch pin | 111680 | 1 |
| 6 | spring | 111679 | 1 |
| 7 | bearing seal washer | 111683 | 1 |
| 8 | top lip seal | 111686 | 2 |
| 9 | bottom lip seal | 111687 | 1 |
| 10A | mounting ring | 390826 | 1 |
| 10B | mounting ring set screw | 111693 | 1 |
| 11 | O-ring | 111692 | 1 |
| 12 | body | --- | 1 |
| 13 | poppet | 341643 | 1 |
| 14A | Baylast™ poppet gasket | VR6030RK3 | 1 |
| 14B | FKM poppet gasket | VR6030RKV3 | 1 |
| 15 | pipe plug | 111694 | 1 |

VR6030 Repair Kits

| Part # | Description | Includes Item # |
|------------|--|------------------------|
| VR6030RK1 | replacement seal kit (with Baylast™ poppet seal) | 2, 3, 5, 8, 9, 11, 14A |
| VR6030RKV1 | replacement seal kit (with FKM poppet seal) | 2, 3, 5, 8, 9, 11, 14B |
| VR6030RK2 | replacement piston assembly | 2, 8, 9 |
| VR6030RK3 | replacement Baylast™ poppet gasket | 14 |
| VR6030RKV3 | replacement FKM poppet gasket | 14 |



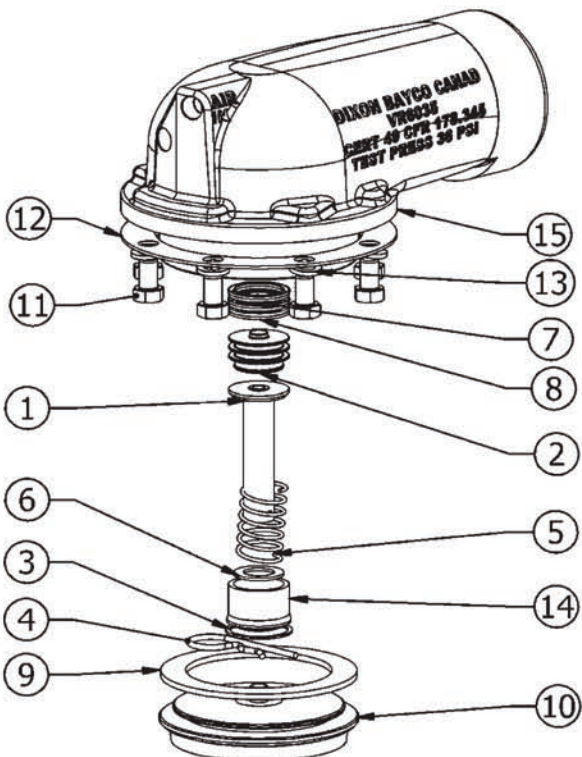
VR6035Q Series Sequential Vapor Vents

Bill of Materials

| Item # | Description | Part # | Qty |
|--------|------------------------|-------------------|-----|
| 1 | stem assembly | 400636 | 1 |
| 2 | piston | use kit VR6030RK2 | 1 |
| 3 | retaining ring | 111681 | 1 |
| 4 | cotter pin | 111680 | 1 |
| 5 | spring | 111679 | 1 |
| 6 | bearing seal washer | 111683 | 1 |
| 7 | lip seal | 111686 | 2 |
| 8 | lip seal | 111687 | 1 |
| 9A | Baylast™ poppet gasket | VR6035RK3 | 1 |
| 9B | FKM poppet gasket | VR6035RKV3 | 1 |
| 10 | poppet | 341641 | 1 |
| 11 | hex bolt | use kit VR6035RK4 | 8 |
| 12 | body gasket | 111689 | 1 |
| 13 | lock washer | use kit VR6035RK4 | 8 |
| 14 | stem bearing | 390822 | 1 |
| 15 | body | --- | 1 |

VR6035 Repair Kits

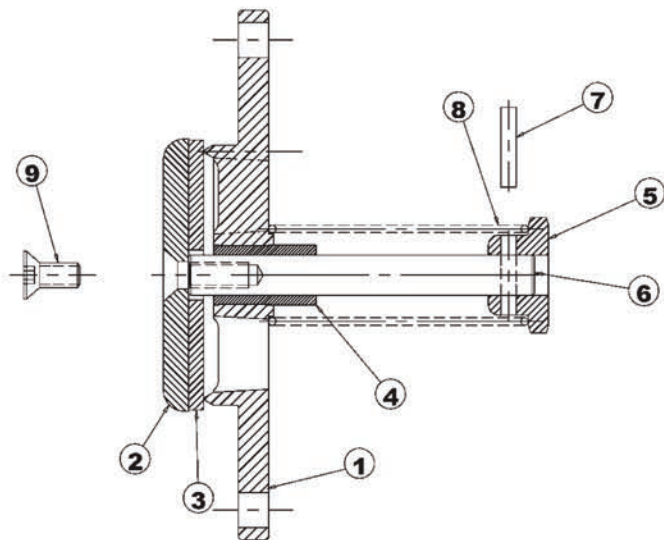
| Part # | Description | Includes Item # |
|------------|--|-----------------------|
| VR6035RK1 | replacement seal kit (with Baylast™ poppet seal) | 2, 3, 4, 7, 8, 9A, 12 |
| VR6035RKV1 | replacement seal kit (with FKM poppet seal) | 2, 3, 4, 7, 8, 9B, 12 |
| VR6035RK2 | replacement piston assembly | 2, 7, 8 |
| VR6035RK3 | replacement Baylast™ poppet gasket | 9A |
| VR6035RKV3 | replacement FKM poppet gasket | 9B |
| VR6035RK4 | replacement (8) bolts & lock washers | 11, 13 |



Product instruction sheets and technical data can be viewed on our website at dixonbayco.com by selecting the "Resources" menu

Fuel Delivery/Vapor Recovery

VRP3500 and VRP3600 Series Outbreathing Vents

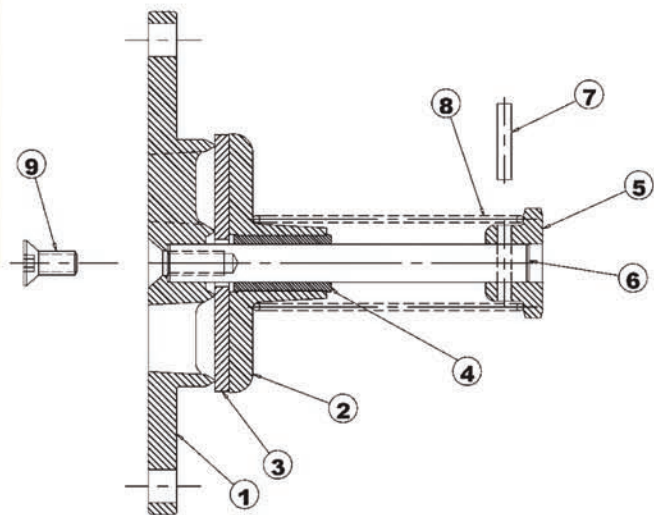


Bill of Materials

| Item # | Description | Part # | Qty |
|--------|-------------------|-----------------|-----|
| 1 | body | --- | 1 |
| 2 | gasket base | VRP3500-2 | 1 |
| 3 | gasket | VRV3501-3 | 1 |
| 4 | bushing | VRP3500-4 | 1 |
| 5 | spring retainer | VRV3501-5 | 1 |
| 6A | shaft for VRP3500 | VRP3501-6 | 1 |
| 6B | shaft for VRP3600 | 390552 | 1 |
| 7 | shaft pin | 110717 | 1 |
| 8 | spring | SPRG-L4506 | 1 |
| 9 | screw | SC5-16NCx.75FSS | 1 |

Petroleum
Replacement Parts

VRV3501 Series Inbreathing Vents



Bill of Materials

| Item # | Description | Part # | Qty |
|--------|-----------------|-----------------|-----|
| 1 | body | --- | 1 |
| 2 | gasket base | VRV3501-2 | 1 |
| 3 | gasket | VRV3501-3 | 1 |
| 4 | bushing | VRV3501-4 | 1 |
| 5 | spring retainer | VRV3501-5 | 1 |
| 6 | shaft | VRV3501-6 | 1 |
| 7 | pin | 110717 | 1 |
| 8 | spring | SPRG-L4506 | 1 |
| 9 | screw | SC5-16NCx.75FSS | 1 |

Product instruction sheets and technical data can be viewed on our website at dixonbayco.com by selecting the "Resources" menu