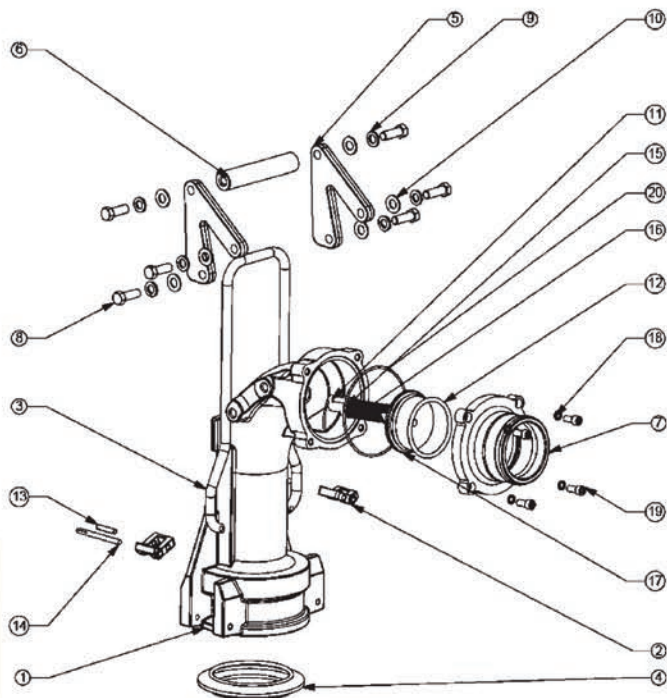


Fuel Delivery/Vapor Recovery

VR6100 Series Vapor Elbows

Bill of Materials

Item #	Description	Part #	Qty
1	body	---	1
2	cam	use kit VR6100CAK	2
3	handle	112138	1
4	seal	112140	1
5	side plate	use kit VR6100SPK	2
6	bar	use kit VR6100SPK	1
7	outlet adapter and O-ring	VR6000-6	1
8	side plate bolt	use kit VR6100SPHK	6
9	side plate lock washer	use kit VR6100SPHK	6
10	side plate flat washer	use kit VR6100SPHK	6
11	poppet bushing	VR6000-3	1
12	FKM poppet seal	O-RING-AS-334	1
13	grooved pin .25X1.25 SS	use kit VR6100CAK	2
14	groove pin .25X3 SS	use kit VR6100CAK	2
15	poppet valve stand off	VR6000-5	1
16	poppet spring	L1110-L2287	1
17	poppet valve	VR6000-4	1
18	outlet lock washer	use kit 6000NPHK	4
19	outlet adapter bolt	use kit 6000NPHK	4
20	outlet O-ring	110319	1



Repair Kit

Part #	Description	Includes Item #
VR6100SPHK	replacement bolt and washer kit for side plates	8, 9, 10
VR6100SPK	replacement side plates, bar, bolts and washers kit	5, 6, 8, 9, 10
VR6100CAK	replacement (2) cam and pin kit	2, 13, 14
6000NPHK	adapter hardware kit (4) bolts and lock washers replacement seals	18, 19
112140	replacement seals	4

Petroleum Replacement Parts

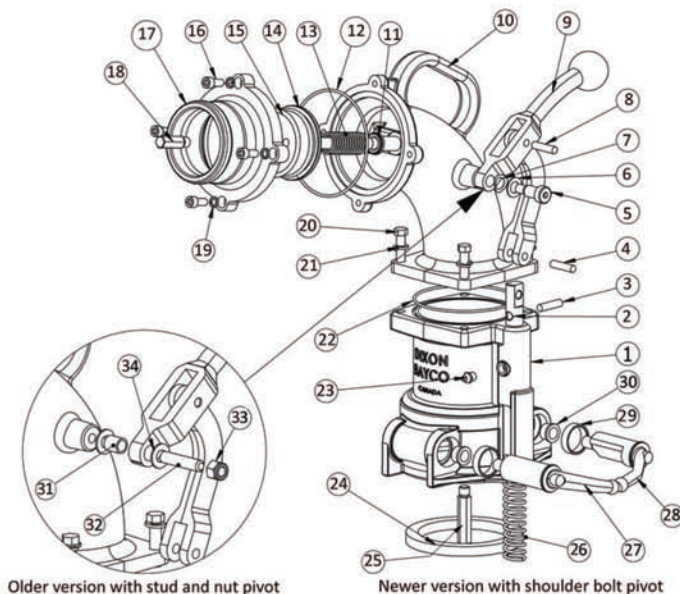
Product instruction sheets and technical data can be viewed on our website at dixonbayco.com by selecting the "Resources" menu

Fuel Delivery/Vapor Recovery

VR6200 Series Vapor Elbows

Bill of Materials

Item #	Description	Part #	Qty
1	bottom body	use kit VR6230	1
2	stem	6200-7	1
3	stem stop pin	PIN5/16X 1 1/4-P	1
4	stem link pin	PIN5/16X 1 1/4-P	1
5 ¹	shoulder bolt pivot	use kit 6200SBK ¹	1
6 ¹	SS flat washer	use kit 6200SBK ¹	1
7 ¹	wave washer	use kit 6200SBK ¹	1
8	handle pin	PIN5/16X 1 1/4-P	1
9	handle and linkage	use kit 6200-15ASSM	1
10	top elbow body	VR6000-1	1
11	poppet bushing	VR6000-3	1
12	outlet O-Ring only	110319	1
13	poppet spring	L1110-L2287	1
14	FKM poppet seal	O-RING-AS-334	1
15	poppet valve	VR6000-4	1
16	outlet adapter bolt	use kit 6000NPHK	4
17	outlet adapter with outlet O-ring	VR6000-6	1
18	poppet valve stand off	VR6000-5	1
19	lock washer	use kit 6000NPHK	4
20	bolt	use kit 6000EHK	4
21	lock washer	use kit 6000EHK	4
22	body O-ring	AS156	1
23	grease nipple	NIPPLE/1	1
24	main seal gasket	6000-9	1
25	probe	VR6000-7	1
26	stem spring	112012	1
27	left arm	VR6000-9	1
28	right arm	VR6000-8	1
29	large bushing	use kit 6200BK	2
30	small bushing	use kit 6200BK	2
31 ²	pivot bushing	use kit 6200SHK ²	1
32 ²	pivot stud	use kit 6200SHK ²	1
33 ²	pivot lock nut	use kit 6200SHK ²	1
34 ²	nylon washer	use kit 6200SHK ²	2



¹ items 5 through 7 are for newer version with shoulder bolt pivot only,
² for older version with stud and nut pivot use items 31 through 34 instead

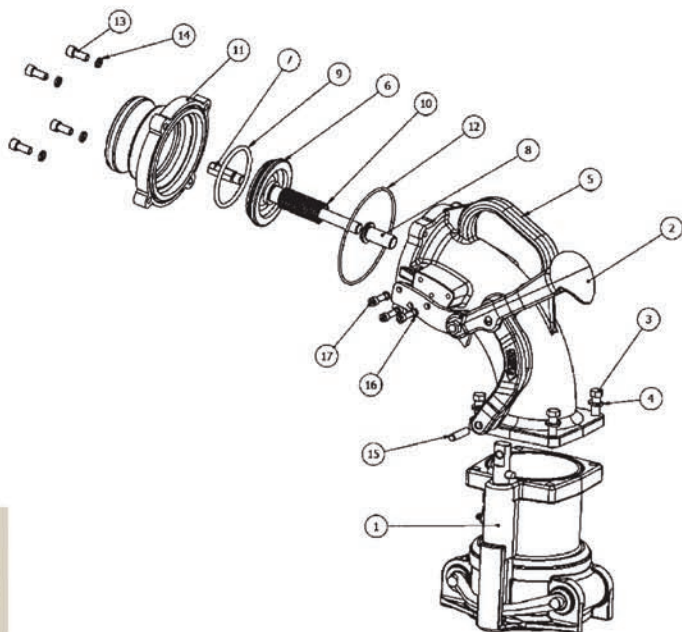
Repair Kit

Part #	Description	Includes Item #
VR6230	complete replacement bottom unit	1, 2, 3, 22-30
6200BK	replacement small (2) and large (2) bushing kit	29, 30
6000EHK	replacement body lock washers and bolts	20, 21
6200SHK ²	replacement pivot stud, bushing, washers & lock nut	31-34
6000NPHK	adapter kit bolts (4) and lock washers	16, 19
6200-15ASSM	replacement handle, linkage and pin	8, 9
6200SBK ¹	replacement shoulder pivot bolt, wave washer and flat washer	5-7
VR6200ARK	arm and seal repair kit	14,22,24,27-30

Product instruction sheets and technical data can be viewed on our website at dixonbayco.com by selecting the "Resources" menu

Fuel Delivery/Vapor Recovery

VR6500 Series Vapor Elbows



Bill of Materials

Item #	Description	Part #	Qty
1	complete bottom body	VR6230	1
2	handle assembly	use kit VR6500RK1	1
3	body bolt	use kit 6000EHK	4
4	body lock washer	use kit 6000EHK	4
5	elbow body	---	1
6	poppet valve	VR6000-4	1
7	poppet valve stand off	VR6000-5	1
8	poppet bushing	VR6000-3	1
9	FKM O-ring	O-RING-AS-334	1
10	poppet spring	L1110-L2287	1
11	outlet adapter & O-ring	VR6000-6	1
12	outlet O-ring	110319	1
13	outlet adapter bolt	use kit 6000NPHK	4
14	outlet lock washer	use kit 6000NPHK	4
15	lower lever pin	111728	1
16	side plate lock washer	111569	3
17	side plate bolt	111732	3

Petroleum Replacement Parts

Repair Kit

Part #	Description	Includes Item #
VR6500RK1	replacement handle, linkage, mounting plate, bolt, nut, bushing and pins	2
6000EHK	replacement (4) body bolts and washers	3, 4
6000NPHK	adapter hardware kit (4) bolts and lock washers	13, 14

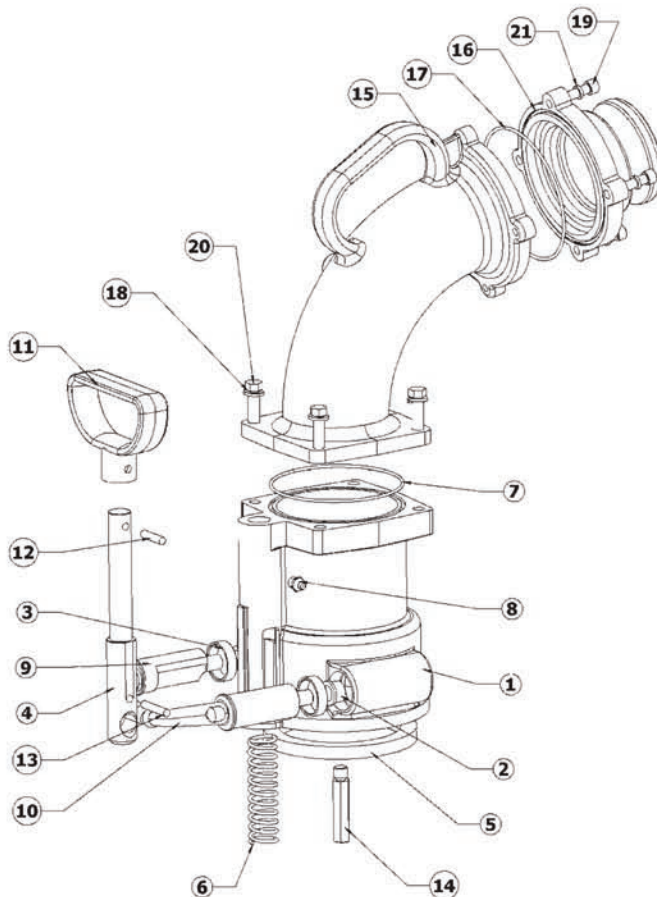
Product instruction sheets and technical data can be viewed on our website at dixonbayco.com by selecting the "Resources" menu

Fuel Delivery/Vapor Recovery

VR6000NP Series Vapor Elbows

Bill of Materials

Item #	Description	Part #	Qty
1	bottom body	VR6000-2	1
2	small bushing	use kit 6200BK	2
3	large bushing	use kit 6200BK	2
4	handle stem	390842	1
5	main seal gasket	6000-9	1
6	spring	112012	1
7	O-ring	AS156	1
8	grease nipple	NIPPLE/1	1
9	right arm	VR6000-8	1
10	left arm	VR6000-9	1
11	D-handle	6000-8	1
12	D-handle pin	6000-13	1
13	spring pin	6000-12	1
14	probe	VR6000-7	1
15	elbow body	VR6000-1	1
16	outlet adapter and O-ring	VR6000-6	1
17	outlet O-ring (only)	110319	1
18	body lock washer	use kit 6200EHK	4
19	outlet adapter bolt	use kit 6000NPHK	4
20	body hex bolt	use kit 6200EHK	4
21	outlet adapter lock washer	use kit 6000NPHK	4



Repair Kit

Part #	Description	Includes Item #
6200BK	replacement small (2) and large (2) large bushing kit	2, 3
6000EHK	replacement body lock washers and bolts	18, 20
6000NPHK	adapter kit bolts (4) and lock washers	19, 21
400637	complete replacement bottom unit	1, 2, 3, 4, 5, 6, 7, 8, 9, 10, 11, 12, 13, 14

Petroleum Replacement Parts

Product instruction sheets and technical data can be viewed on our website at dixonbayco.com by selecting the "Resources" menu