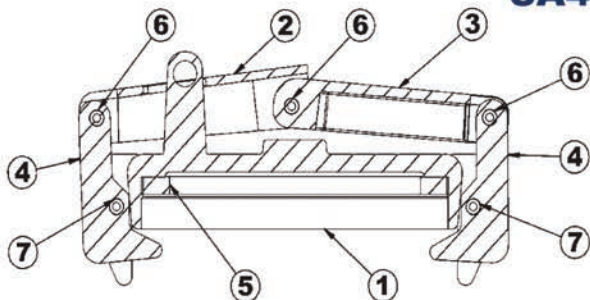


# Fuel Delivery/Vapor Recovery

## SA4050AL Caps

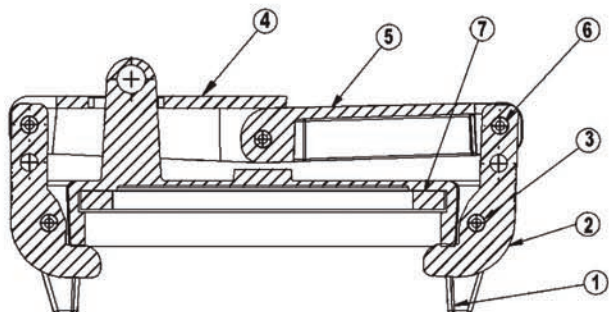


### Bill of Materials

Item #	Description	Part #	Qty
1	cap body	---	1
2	top large lever	4050AL	1
3	minor lever	4062AL	1
4	cam arm	4063	2
5	gasket	400-G-BU	1
6	lever pin	4066	3
7	cam arm pin	4068	2

## 4" Vapor Caps

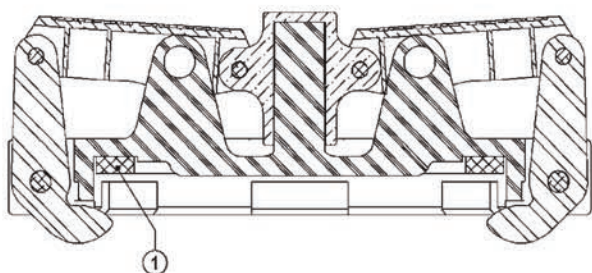
VR4050AL



### Bill of Materials

Item #	Description	Part #	Qty
1	cap body	---	1
2	cam arm	VR4075	2
3	arm pin	4068	2
4	top large lever	VR4077	1
5	minor lever	VR4076	1
6	lever pin	4066	3
7	Buna gasket	400-G-BU	1

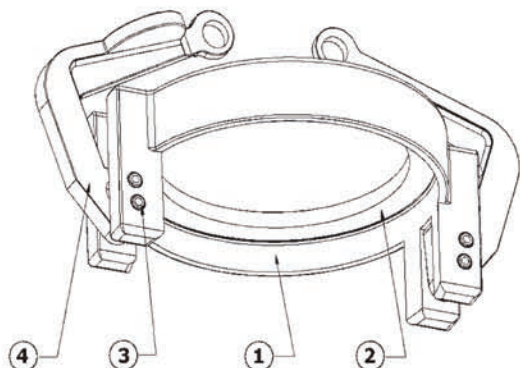
## VR4050PL Series 4" Nylon Vapor Caps



### Bill of Materials

Item #	Description	Part #	Qty
1	gasket	VR4050PLRK1	1

## TL4070BZ Series Bronze Caps



### Bill of Materials

Item #	Description	Part #	Qty
1	cap body	---	1
2	Buna gasket	400-G-BU	1
3	arm pin	4068	4
4	arm (lever)	4071	2

Product instruction sheets and technical data can be viewed on our website at [dixonbayco.com](http://dixonbayco.com) by selecting the "Resources" menu