

Fuel Tanker

TDF Series Tube Doors

Repair Kits

Part #	Description
TDF68RK	6" and 8" repair kit, includes stainless steel spring, bushings and pin
TDF7RK	7" repair kit, includes stainless steel spring, bushings, pin and washer
SPRG-A4630	replacement stainless steel spring only



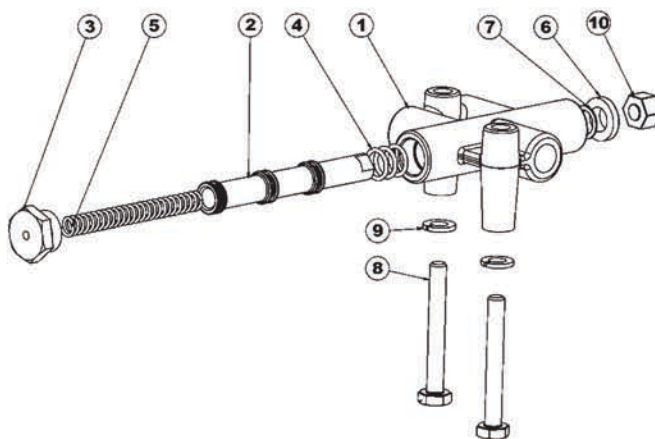
5000AIR Series Roller Ball End Air Interlock Valves

Bill of Materials

Item #	Description	Part #	Qty
1	body	---	1
2	piston	use kit 5000AIRSK	1
3	end plug	use kit 5000AIRSK	1
4	Buna O-ring	use kit 5000AIRSK	3
5	spring	use kit 5000AIRSK	1
6	urethane wiper	use kit 5000AIRSK	1
7	retaining ring	RING-WH-50	1
8	mounting bolts	use kit 5000AIHK	2
9	lock washer	use kit 5000AIHK	2
10	roller ball assembly	5000AIRRK1	1

Repair Kits

Part #	Description	Includes Item #
5000AIHK	replacement mounting bolts and lock washers	8, 9
5000AIRSK	replacement piston and seal kit	2, 3, 4, 5, 6
5000AIRRK1	replacement roller ball	10



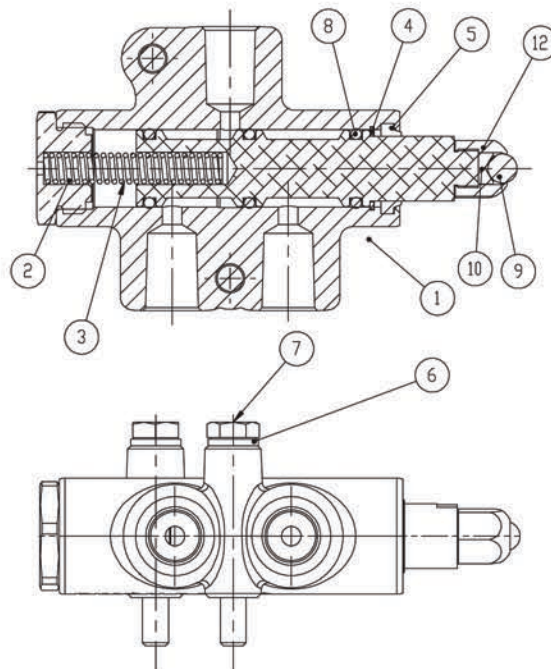
5000AIRHD Series Heavy Duty Roller Ball End Air Interlock Valves

Bill of Materials

Item #	Description	Part #	Qty
1	body	---	1
2	end plug	391848	1
3	wiper	112260	1
4	retaining ring	112261	1
5	spring	110897	1
6	lock washer	110928	2
7	mounting bolts	111196	2
8	O-ring	111SS3	3
9	ball	100202	1
10	bearing	390104	1
11	piston	391858	1
12	roller head cap	390105	1

Repair Kits

Part #	Description	Includes Item #
5000AIHK	replacement mounting bolts and lock washers	6, 7
5000AIRHDSK	replacement piston and seal kit	2, 3, 5, 8, 11
5000AIRRK1	replacement roller ball	9



Product instruction sheets and technical data can be viewed on our website at dixonbayco.com by selecting the "Resources" menu

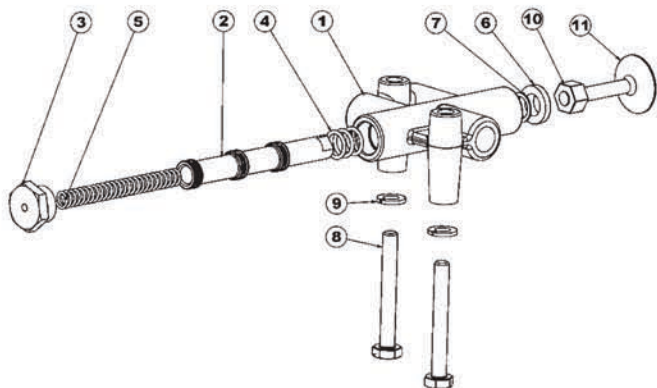
Fuel Tanker

5000AI Series Button Plunger End Air Interlock Valves

5000AI, 5000AIS and AIST

Bill of Materials

Item #	Description	Part #	Qty
1	body	---	1
2	piston	use kit 5000AISK	1
3A	end plug (5000AI, 5000AIST)	use kit 5000AISK	1
3B	electronic switch kit (not illustrated, for 5000AIS)	5000S	1
4	Buna O-ring	use kit 5000AISK	3
5	spring	use kit 5000AISK	1
6	urethane wiper	use kit 5000AISK	1
7	retaining ring	RING-WH-50	1
8	mounting bolt	use kit 5000AIHK	2
9	lock washer	use kit 5000AIHK	2
10	plunger nut	NUT.25HX-SS	1
11A	1" SS plunger button (5000AI)	use kit 5000AIRK1	1
11B	1½" SS plunger button (5000AIST)	use kit 5000ST	1



Repair Kits

Part #	Description	Includes Item #
5000AIHK	mounting bolt, lock washer	8, 9
5000AISK	piston, end plug, spring, O-ring, rod wiper	2, 3A, 4, 5, 6
5000AIRK1	plunger end, nut	10, 11A
5000ST	replacement 1½" plunger button and nut	10, 11B
5000S	electronic switch attachment kit	3B
5000AIRK2	plunger button extension and sleeve kit	--

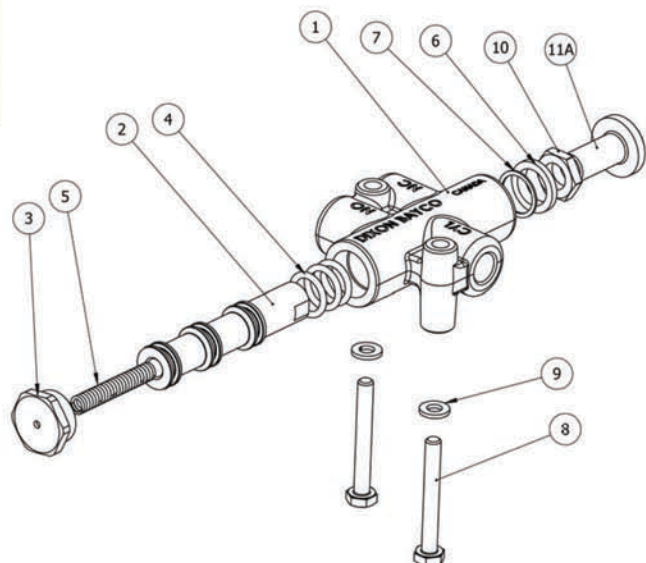
5000AIHD Series Heavy Duty Air Interlock Valve

Bill of Materials

Item #	Description	Part #	Qty
1	body	---	1
2	piston	use kit 5000AIHDSK	1
3	end plug	use kit 5000AIHDSK	1
4	O-ring	use kit 5000AIHDSK	3
5	spring	use kit 5000AIHDSK	1
6	wiper	use kit 5000AIHDSK	1
7	retaining ring	112251	1
8	mounting bolts	use kit 5000AIHK	2
9	lock washer	use kit 5000AIHK	2
10	nut	390909	1
11A	1" plunger end	use kit 5000AIHDRK1	
11B	1.5" plunger end	use kit 5000STHD	

Repair Kits

Part #	Description	Includes Item #
5000AIHK	mounting bolts and lock washers	8, 9
5000AIHDSK	replacement piston and seal kit	2, 3, 4, 5, 6
5000AIHDRK1	replacement 1" plunger assembly	10, 11A
5000STHD	replacement 1.5" plunger assembly	10, 11B



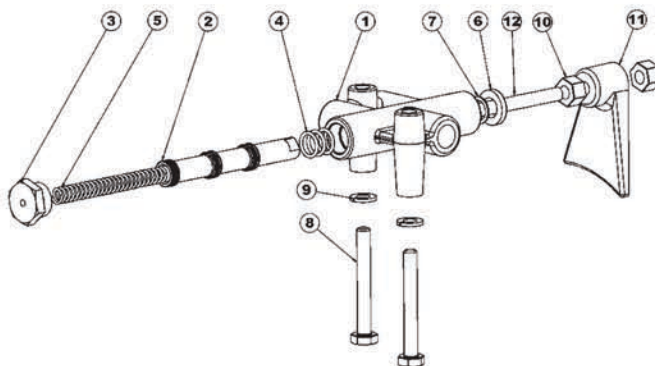
Product instruction sheets and technical data can be viewed on our website at dixonbayco.com by selecting the "Resources" menu

Fuel Tanker

5000AIV Series Paddle End Air Interlock Valves

Bill of Materials

Item #	Description	Part #	Qty
1	body	---	1
2	piston	use kit 5000AISK	1
3	end plug	use kit 5000AISK	1
4	Buna O-ring	use kit 5000AISK	3
5	spring	use kit 5000AISK	1
6	urethane wiper	use kit 5000AISK	1
7	retaining ring	RING-WH-50	1
8	mounting bolt	use kit 5000AIHK	2
9	lock washer	use kit 5000AIHK	2
10	paddle nut	500-7E	2
11	paddle plunger	5000AI-2	1
12	paddle plunger stud	5000AI-5	1



Repair Kits

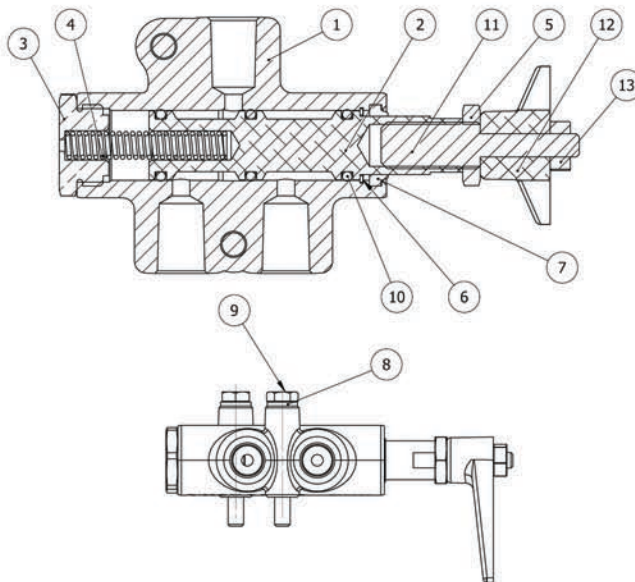
Part #	Description	Includes Item #
5000AIHK	mounting bolt, lock washer	8, 9
5000AISK	piston, end plug, spring, O-ring, rod wiper	2, 3, 4, 5, 6

5000AIVHD Series Heavy Duty Paddle End Air Interlock Valves

Item #	Description	Part #	Qty
1	body	use kit 5000AIHDSK	1
2	piston	use kit 5000AIHDSK	1
3	end plug	use kit 5000AIHDSK	1
4	spring	use kit 5000AIHDSK	1
5	nut	390909	1
6	retaining ring	112261	1
7	wiper	use kit 5000AIHDSK	1
8	lock washer	use kit 5000AIHK	2
9	mounting bolt	use kit 5000AIHK	2
10	O-ring	use kit 5000AIHDSK	3
11	stud	390910	1
12	plunger end	341142	1
13	nut	110639	1

Repair Kits

Part #	Description	Includes Item #
5000AIHK	mounting bolt, lock washer	8, 9
5000AIHDSK	replacement piston and seal kit	2, 3, 4, 7, 10



Petroleum Replacement Parts