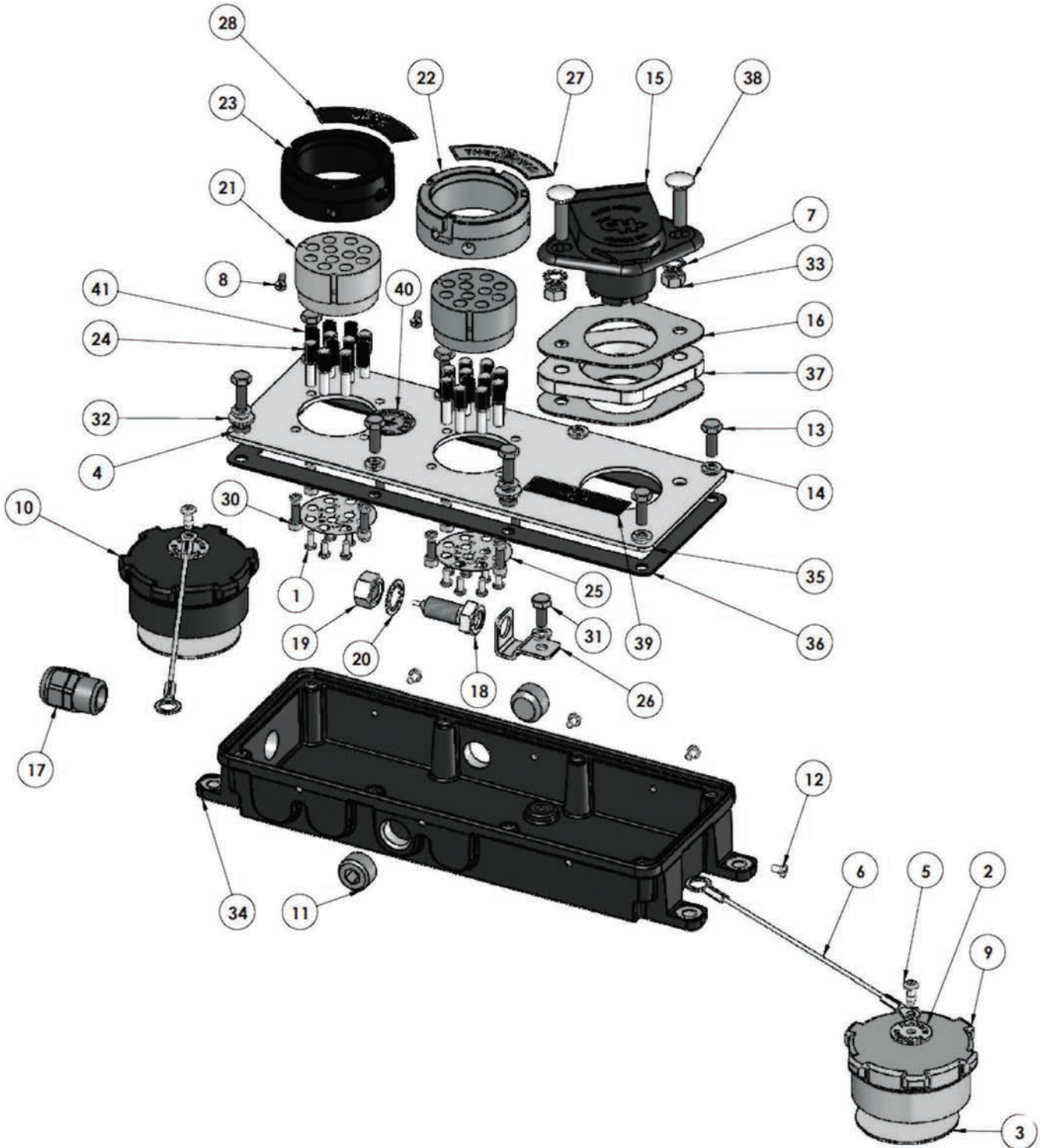


Fuel Tanker Overfill Detection

FT393/394/395 Series EZ-Cept Triple Sockets



Overfill
Replacement Parts

Product instruction sheets and technical data can be viewed on our website at dixonbayco.com by selecting the "Resources" menu

Fuel Tanker Overfill Detection

FT393/394/395 Series EZ-Cept Triple Sockets

Bill of Materials

Item #	Description	Part #	FT393	FT394	FT394G	FT394V-G	FT395	FT395V	FT395G	FT395V-G
1	stainless steel screw	10086	16	16	16	16	16	16	16	16
2	aluminum name plate - socket washer	10087	2	2	2	2	2	2	2	2
3	aluminum washer 2.500 x .0625	use kit FT320 or FT321	2	2	2	2	2	2	2	2
4	stainless steel spacer	use kit FT320 or FT321	2	2	2	2	2	2	2	2
5	aluminum rivet .1875	use kit FT320 or FT321	2	2	2	2	2	2	2	2
6	stainless steel cable - socket 8"	use kit FT320 or FT321	2	2	2	2	2	2	2	2
7	stainless steel lock washer	10092	2	2	2	2	2	2	2	2
8	stainless steel screw - contact block	10094	2	2	2	2	2	2	2	2
9	vinyl dust cap - thermistor (green)	use kit FT321	1	1	1	1	1	1	1	1
10	vinyl dust cap - optic (blue)	use kit FT320	1	1	1	1	1	1	1	1
11	polypropylene pipe plug	10103	2	2	2	2	2	2	2	2
12	steel screw - plug	10105	4	4	4	4	4	4	4	4
13	stainless steel screw	10110	8	8	8	8	8	8	8	8
14	stainless steel lock washer - 1/4"	10111	9	9	9	9	9	9	9	9
15	5 60 socket	10119 (was FT9029)	1	1	1	1	1	1	1	1
16	neoprene gasket, float socket	10121	2	2	2	2	2	2	2	2
17	polyamide strain relief	10139	1	1	1	1	1	1	1	1
18	stainless steel ground bolt	10223	n/a	n/a	1	1	n/a	n/a	1	1
19	stainless steel nut - ground bolt 1/2"- 13	10224	n/a	n/a	1	1	n/a	n/a	1	1
20	stainless steel lock washer internal tooth	10225	n/a	n/a	1	1	n/a	n/a	1	1
21	plastic contact block - socket short	10254	2	2	2	2	2	2	2	2
22	stainless steel wear ring - 4 J Slot	10366SS-001 (was FT9044)	1	1	1	1	2	2	2	2
23	stainless steel wear ring - 3 J Slot	10366SS-002 (was FT9043)	1	1	1	1	n/a	n/a	n/a	n/a
24	stainless steel socket pin - short	10368SS (was FT9061)	16	16	16	16	16	16	16	16
25	vinyl label - socket contact	10369VY	2	2	2	2	2	2	2	2
26	stainless steel bracket - ground bolt	10370SS	1	1	1	1	1	1	1	1
27	aluminum name plate - thermistor	10373AL	1	1	1	1	1	1	1	1
28	aluminum name plate - optic	10374AL	1	1	1	1	1	1	1	1
30	stainless steel screw	10376SS	8	8	8	8	8	8	8	8
31	stainless steel screw	10377SS	1	1	1	1	1	1	1	1
32	stainless steel washer	10382SS	2	2	2	2	2	2	2	2
33	stainless steel nut	10508SS	2	2	2	2	2	2	2	2
34	aluminum box - 3 socket	10525AL	1	1	1	1	1	1	1	1
35	aluminum faceplate - three socket	10526AL	1	1	1	1	1	1	1	1
36	cork gasket - lid	10527CK	1	1	1	1	1	1	1	1
37	acetal spacer	10529AC	1	1	1	1	1	1	1	1
38	stainless steel carriage bolt	10530SS	2	2	2	2	2	2	2	2
39A	aluminum name plate - optic (blue)	10558AL	n/a	1	1	1	1	1	1	1
39B	aluminum name plate - float (red)	10531AL	1	n/a	n/a	n/a	n/a	n/a	n/a	n/a
40	aluminum label - ground bolt	10621AL	n/a	n/a	1	1	n/a	n/a	1	1
41	plastic black button insert	BLACK BUTTON INSERT	6	6	6	6	6	6	6	6

Repair Kits

Part #	Description	Includes Item #
FT320	replacement blue (optic) vinyl cap assembly	2, 3, 5, 6, 9
FT321	replacement green (thermistor) vinyl cap assembly	2, 3, 5, 6, 10
FT9051	replacement contact block assembly for FT390/FT393 Optic 6 pin	1, 8, 21, 24, 25
FT9052	replacement contact block assembly for FT390/FT393 Thermistor 10 pin	1, 8, 21, 24, 25
FT9062	replacement nose ring, contact assembly, Thermistor 4J slot, 10 pin	1, 8, 21, 22, 24, 25
FT9063	replacement nose ring, contact assembly, Optic 3J slot, 6 pin	1, 8, 21, 22, 24, 25
FT9068	replacement contact block attachment screws and washers (4 each)	29, 30

Product instruction sheets and technical data can be viewed on our website at dixonbayco.com by selecting the "Resources" menu