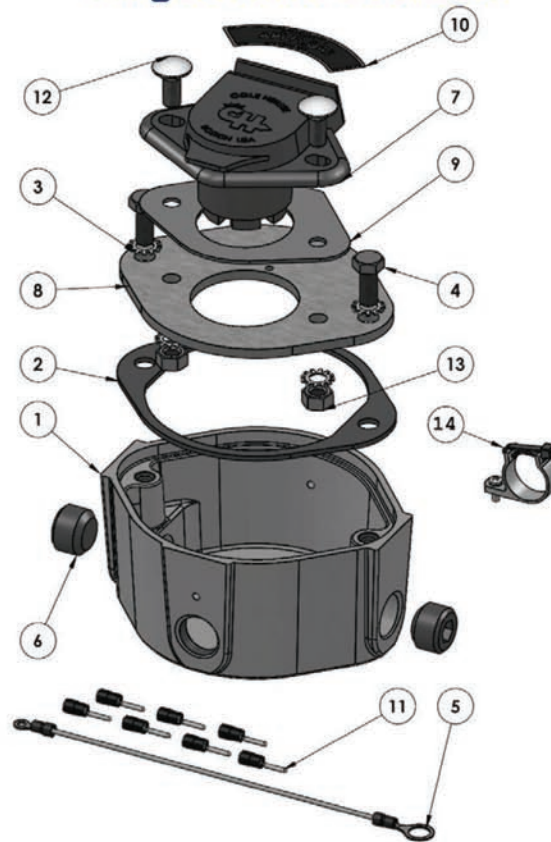


Fuel Tanker Overfill Detection

Single J560 Sockets



Bill of Materials

| Item # | Description | Part # | FT302 | FT305 | FT306 | FT312 | FT315 | FT316 |
|--------|----------------------------------|--------------------|-------|-------|-------|-------|-------|-------|
| 1 | aluminum housing | 10031 (was FT9007) | 1 | 1 | 1 | n/a | n/a | n/a |
| 2 | neoprene gasket | 10038 (was FT9032) | 1 | 1 | 1 | 1 | 1 | 1 |
| 3 | stainless steel lock washer | 10092 | 4 | 4 | 4 | 4 | 4 | 4 |
| 4 | stainless steel screw | 10093 | 2 | 2 | 2 | 2 | 2 | 2 |
| 5 | wire, assembly, socket | 10095 | 1 | 1 | 1 | 1 | 1 | 1 |
| 6 | polypropylene pipe plug | 10103 | 2 | 2 | 2 | 2 | 2 | 2 |
| 7 | 5 60 type socket | 10119 (was FT9029) | 1 | 1 | 1 | 1 | 1 | 1 |
| 8 | aluminum face plate | 10120 | 1 | 1 | 1 | 1 | 1 | 1 |
| 9 | neoprene gasket | 10121 | 1 | 1 | 1 | 1 | 1 | 1 |
| 10A | aluminum name plate - float | 10122 | 1 | n/a | n/a | n/a | n/a | n/a |
| 10B | aluminum name plate - optic | 10235 | n/a | n/a | 1 | n/a | 1 | 1 |
| 10C | aluminum name plate - thermistor | 10244 | n/a | 1 | n/a | n/a | n/a | n/a |
| 11 | terminal pin | 10123 | 7 | 7 | 7 | 7 | 7 | 7 |
| 12 | stainless steel carriage bolt | 10507SS | 2 | 2 | 2 | 2 | 2 | 2 |
| 13 | stainless steel nut | 10508SS | 2 | 2 | 2 | 2 | 2 | 2 |
| 14 | nylon clamp assembly | 10264 | n/a | 1 | n/a | n/a | 1 | n/a |

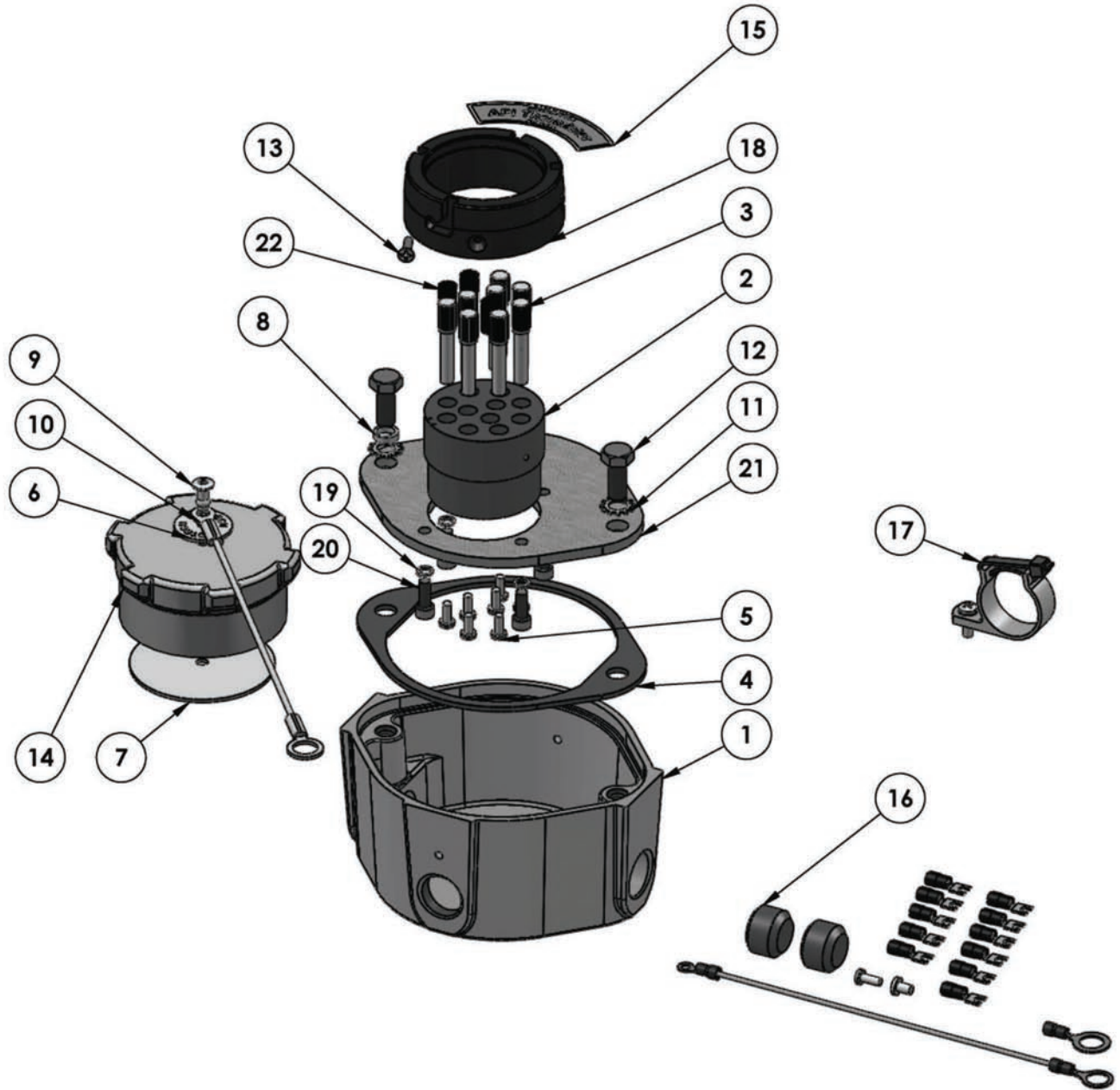
Repair Kits

| Part # | Description | Includes Item # |
|--------|---|-----------------|
| FT312 | face plate assembly- API float J560 socket | 2 - 14 |
| FT315 | face plate assembly- Thermistor 5 60 socket | 2 - 14 |
| FT316 | face plate assembly- Optic 5 60 socket | 2 - 14 |

Product instruction sheets and technical data can be viewed on our website at dixonbayco.com by selecting the "Resources" menu

Fuel Tanker Overfill Detection

FT30x Series Single J Slot Sockets



Overfill
Replacement Parts

Product instruction sheets and technical data can be viewed on our website at dixonbayco.com by selecting the "Resources" menu

Fuel Tanker Overfill Detection

FT30x Series Single J Slot Sockets

Bill of Materials

| Item # | Description | Part # | FT300 | FT300SS | FT301 | FT301SS | FT303 | FT303SS | FT304 | FT304SS | FT307 | FT307SS | FT310 | FT310SS | FT311 | FT311SS | FT313 | FT313SS | FT314 | FT314SS | FT317 | FT317SS |
|--------|---------------------------------------|-------------------------------|-------|------------------|--------------------|---------|-------|---------|-------|---------|-------|---------|-------|---------|-------|---------|-------|---------|-------|---------|-------|---------|
| | | | 1 | aluminum housing | 10031 (was FT9007) | 1 | 1 | 1 | 1 | 1 | 1 | 1 | 1 | 1 | 1 | n/a | n/a | n/a | n/a | n/a | n/a | n/a |
| 2 | plastic contact block | 10036PL | 1 | 1 | 1 | 1 | 1 | 1 | 1 | 1 | 1 | 1 | 1 | 1 | 1 | 1 | 1 | 1 | 1 | 1 | 1 | 1 |
| 3 | stainless steel socket pin | 10037 | 6 | 6 | 8 | 8 | 6 | 6 | 10 | 10 | 6 | 6 | 6 | 6 | 8 | 8 | 6 | 6 | 10 | 10 | 6 | 6 |
| 4 | neoprene gasket | 10038 (was FT9032) | 1 | 1 | 1 | 1 | 1 | 1 | 1 | 1 | 1 | 1 | 1 | 1 | 1 | 1 | 1 | 1 | 1 | 1 | 1 | 1 |
| 5 | stainless steel screw | 10086 | 6 | 6 | 8 | 8 | 6 | 6 | 10 | 10 | 6 | 6 | 6 | 6 | 8 | 8 | 6 | 6 | 10 | 10 | 6 | 6 |
| 6 | aluminum name plate - socket washer | Use cap kit FT320 or FT321 | 1 | 1 | 1 | 1 | 1 | 1 | 1 | 1 | 1 | 1 | 1 | 1 | 1 | 1 | 1 | 1 | 1 | 1 | 1 | 1 |
| 7 | aluminum washer 2.500 x .0625 | Use cap kit FT320 or FT321 | 1 | 1 | 1 | 1 | 1 | 1 | 1 | 1 | 1 | 1 | 1 | 1 | 1 | 1 | 1 | 1 | 1 | 1 | 1 | 1 |
| 8 | stainless steel spacer | 10089 | 1 | 1 | 1 | 1 | 1 | 1 | 1 | 1 | 1 | 1 | 1 | 1 | 1 | 1 | 1 | 1 | 1 | 1 | 1 | 1 |
| 9 | aluminum rivet .1875 | Use cap kit FT320 or FT321 | 1 | 1 | 1 | 1 | 1 | 1 | 1 | 1 | 1 | 1 | 1 | 1 | 1 | 1 | 1 | 1 | 1 | 1 | 1 | 1 |
| 10 | stainless steel cable - socket 8" | Use cap kit FT320 or FT321 | 1 | 1 | 1 | 1 | 1 | 1 | 1 | 1 | 1 | 1 | 1 | 1 | 1 | 1 | 1 | 1 | 1 | 1 | 1 | 1 |
| 11 | stainless steel lock washer | 10092 | 2 | 2 | 2 | 2 | 2 | 2 | 2 | 2 | 2 | 2 | 2 | 2 | 2 | 2 | 2 | 2 | 2 | 2 | 2 | 2 |
| 12 | stainless steel screw | 10093 | 2 | 2 | 2 | 2 | 2 | 2 | 2 | 2 | 2 | 2 | 2 | 2 | 2 | 2 | 2 | 2 | 2 | 2 | 2 | 2 |
| 13 | stainless steel screw - contact block | 10094 | 1 | 1 | 1 | 1 | 1 | 1 | 1 | 1 | 1 | 1 | 1 | 1 | 1 | 1 | 1 | 1 | 1 | 1 | 1 | 1 |
| 14A | vinyl dust cap - thermistor (green) | Use cap kit FT321 | n/a | n/a | 1 | 1 | n/a | n/a | 1 | 1 | n/a | n/a | n/a | 1 | 1 | n/a | 1 | n/a | 1 | 1 | n/a | n/a |
| 14B | vinyl dust cap - optic (blue) | Use cap kit FT320 | 1 | 1 | n/a | n/a | 1 | 1 | n/a | n/a | 1 | 1 | 1 | 1 | n/a | n/a | 1 | 1 | n/a | n/a | 1 | 1 |
| 15A | aluminum name plate - FT300 | 10099 | 1 | 1 | n/a | n/a | n/a | n/a | n/a | n/a | n/a | n/a | 1 | 1 | n/a | n/a | n/a | n/a | n/a | n/a | n/a | n/a |
| 15B | aluminum name plate - FT301 | 10100 | n/a | n/a | 1 | 1 | n/a | n/a | n/a | n/a | n/a | n/a | n/a | n/a | 1 | 1 | n/a | n/a | n/a | n/a | n/a | n/a |
| 15C | aluminum name plate - FT303 | 10228 | n/a | n/a | n/a | n/a | 1 | 1 | n/a | n/a | n/a | n/a | n/a | n/a | n/a | n/a | 1 | 1 | n/a | n/a | n/a | n/a |
| 15D | aluminum name plate - FT304 | 10101 | n/a | n/a | n/a | n/a | n/a | n/a | 1 | 1 | n/a | n/a | n/a | n/a | n/a | n/a | n/a | n/a | 1 | 1 | n/a | n/a |
| 15E | aluminum name plate - FT307 | 10283 | n/a | n/a | n/a | n/a | n/a | n/a | n/a | 1 | 1 | n/a | n/a | n/a | n/a | n/a | n/a | n/a | n/a | n/a | 1 | 1 |
| 16 | assembly hardware | 10106 | 1 | 1 | 1 | 1 | 1 | 1 | 1 | 1 | 1 | 1 | 1 | 1 | 1 | 1 | 1 | 1 | 1 | 1 | 1 | 1 |
| 17 | nylon clamp assembly | 10264 | n/a | n/a | 1 | 1 | n/a | n/a | 1 | 1 | n/a | n/a | n/a | n/a | 1 | 1 | n/a | n/a | 1 | 1 | n/a | n/a |
| 18A | ALH wear ring - 4 J slots | 10366HC-001 (was FT9042) | n/a | n/a | 1 | n/a | 1 | n/a | 1 | n/a | 1 | n/a | n/a | 1 | n/a | 1 | n/a | 1 | n/a | 1 | n/a | 1 |
| 18B | ALH wear ring - 3 J slots | 10366HC-002 (was FT9041) | 1 | n/a | n/a | n/a | n/a | n/a | n/a | n/a | n/a | n/a | 1 | n/a | n/a | n/a | n/a | n/a | n/a | n/a | n/a | n/a |
| 18C | stainless steel wear ring - 4 J slots | 10366SS-001 (was FT9043) | n/a | n/a | n/a | 1 | n/a | 1 | n/a | 1 | n/a | 1 | n/a | n/a | n/a | 1 | n/a | 1 | n/a | 1 | n/a | 1 |
| 18D | stainless steel wear ring - 3 J slots | 10366SS-002 (was FT9044) | n/a | 1 | n/a | n/a | n/a | n/a | n/a | n/a | n/a | n/a | 1 | n/a | n/a | n/a | n/a | n/a | n/a | n/a | n/a | n/a |
| 19 | stainless steel lock washer | 10375SS | 4 | 4 | 4 | 4 | 4 | 4 | 4 | 4 | 4 | 4 | 4 | 4 | 4 | 4 | 4 | 4 | 4 | 4 | 4 | 4 |
| 20 | stainless steel screw | 10376SS | 4 | 4 | 4 | 4 | 4 | 4 | 4 | 4 | 4 | 4 | 4 | 4 | 4 | 4 | 4 | 4 | 4 | 4 | 4 | 4 |
| 21 | aluminum socket plate | 10431AL | 1 | 1 | 1 | 1 | 1 | 1 | 1 | 1 | 1 | 1 | 1 | 1 | 1 | 1 | 1 | 1 | 1 | 1 | 1 | 1 |
| 22 | plastic black button insert | BLACK BUTTON INSERT | 6 | 6 | 6 | 6 | 6 | 6 | 6 | 6 | 6 | 6 | 6 | 6 | 6 | 6 | 6 | 6 | 6 | 6 | 6 | 6 |

Repair Kits

| Part # | Description | Includes Item # |
|---------|---|-------------------|
| FT320 | replacement blue (optic) vinyl cap assembly | 6, 7, 9, 10, 14B |
| FT321 | replacement green (thermistor) vinyl cap assembly | 6, 7, 9, 10, 14A |
| FT310 | face plate assembly - API optic ALH wear ring 6 pin 3 J Slots (US) | 2 - 16, 18 - 22 |
| FT310SS | face plate assembly - API optic SS GFL wear ring 6 pin 3 J Slots (US) | 2 - 16, 18 - 22 |
| FT311 | face plate assembly - API Thermistor ALH wear ring 8 pin 4 J Slots (US) | 2 - 22 |
| FT311SS | face plate assembly - API Thermistor SS GFL wear ring 8 pin 4 J Slots (US) | 2 - 22 |
| FT313 | face plate assembly - optic ALH wear ring 6 pin 4 J Slots (US) | 2 - 16, 18 - 22 |
| FT313SS | face plate assembly - optic SS GFL wear ring 6 pin 4 J Slots (US) | 2 - 16, 18 - 22 |
| FT314 | face plate assembly - Thermistor ALH wear ring 10 pin 4 J Slots (Canada) | 2 - 22 |
| FT314SS | face plate assembly - Thermistor SS GFL wear ring 10 pin 4 J Slots (Canada) | 2 - 22 |
| FT317 | face plate assembly - optic ALH wear ring 6 pin 4 J Slots (Canada) | 2 - 16, 18 - 22 |
| FT317SS | face plate assembly - optic SS GFL wear ring 6 pin 4 J Slots (Canada) | 2 - 16, 18 - 22 |
| FT9008 | replacement contact block for FT300 Optic | 2, 3, 5, 13 |
| FT9009 | replacement contact block for FT301 Thermistor | 2, 3, 5, 13 |
| FT9010 | replacement contact block for FT304 10 pin Thermistor | 2, 3, 5, 13 |
| FT9013 | replacement faceplate 4 J slot (no contact block or hardware) | 4, 15B, 18A, 1921 |
| FT9020 | replacement socket pin, screw & crimp lug | 3, 5 |
| FT9034 | replacement faceplate 3 J slot, (without contact block and hardware) | 4, 15A, 18B, 1921 |
| FT9046 | replacement socket contact pins, and screws | 3, 5 |
| FT9068 | replacement contact block attachment screws and washers (4 each) | 19, 20 |

Replacement Parts
Overfill