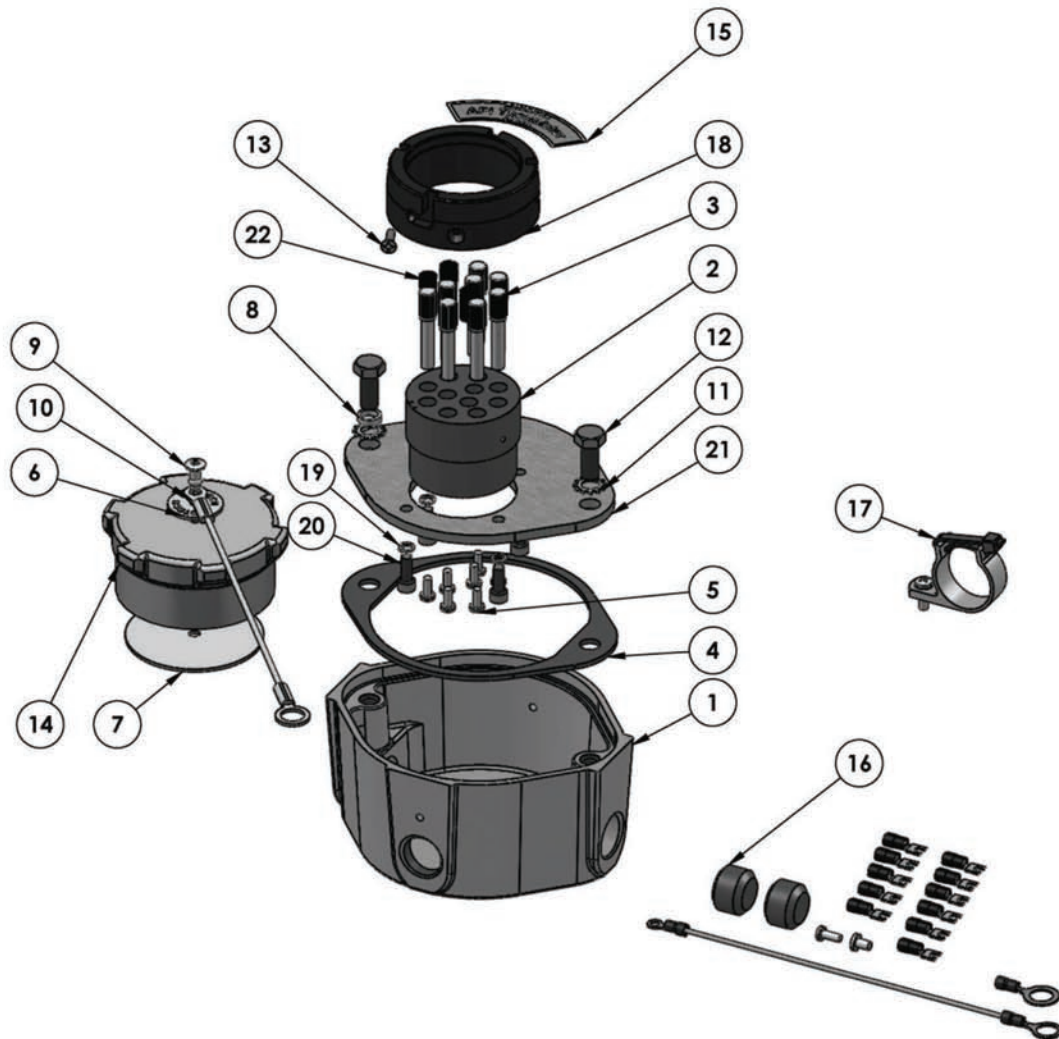


Fuel Tanker Overfill Detection

Plug-n-Play Stand Alone Sockets FT300P & FT301P



Repair Kits

Part #	Description	Includes Item #
FT320	replacement blue (optic) vinyl cap assembly	6, 7, 9, 10, 14B
FT321	replacement green (thermistor) vinyl cap assembly	6, 7, 9, 10, 14A
FT310	face plate assembly - API optic ALH wear ring 6 pin 3 J Slots (US)	2 - 16, 18 - 22
FT310SS	face plate assembly - API optic SS GFL wear ring 6 pin 3 J Slots (US)	2 - 16, 18 - 22
FT311	face plate assembly - API Thermistor ALH wear ring 8 pin 4 J Slots (US)	2 - 22
FT311SS	face plate assembly - API Thermistor SS GFL wear ring 8 pin 4 J Slots (US)	2 - 22
FT9008	replacement contact block for FT300 Optic	2, 3, 5, 13
FT9009	replacement contact block for FT301 Thermistor	2, 3, 5, 13
FT9013	replacement faceplate 4 J slot (without contact block or hardware)	4, 15B, 18A, 19-21
FT9020	replacement socket pin, screw & crimp lug	3, 5
FT9034	replacement 3 J slot (without contact block and hardware)	4, 15A, 18B, 19-21
FT9046	replacement socket contact pins and screws	3, 5
FT9068	replacement contact block attachment screws and washers (4 each)	19, 20
10387P-20	wiring harness (Plug-n-Play) 20 ft.	
10605PL	plastic clip	

Product instruction sheets and technical data can be viewed on our website at dixonbayco.com by selecting the "Resources" menu

Fuel Tanker Overfill Detection

Plug-n-Play Stand Alone Sockets FT300P & FT301P

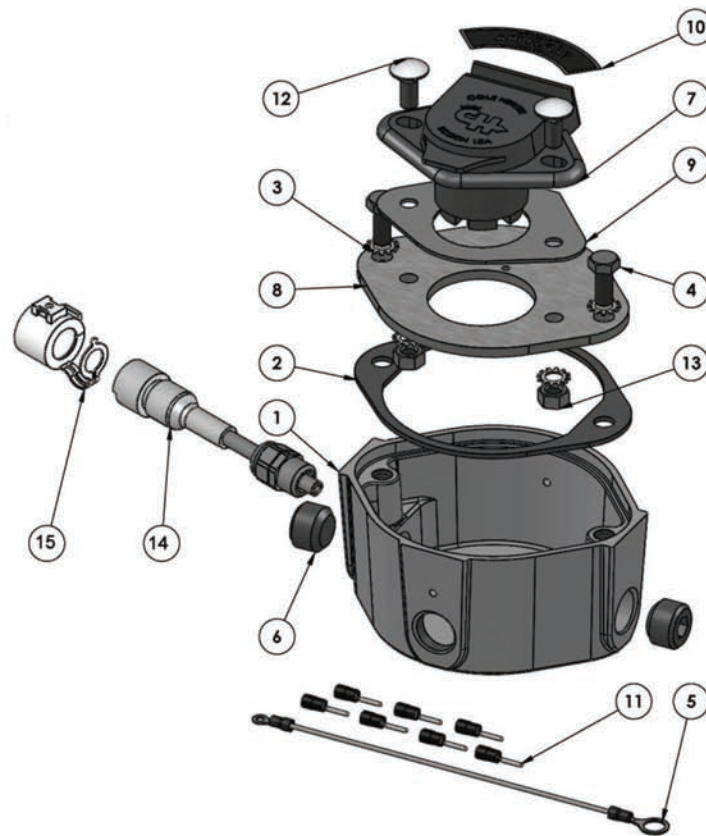
Bill of Materials

Item #	Description	Part #	FT300P	FT301P	FT310	FT310SS	FT311	FT311SS
1	aluminum housing	10031 (was FT9007)	1	1	n/a	n/a	n/a	n/a
2	plastic contact block	10036PL	1	1	1	1	1	1
3	stainless steel socket pin	10037	6	8	6	6	8	8
4	neoprene gasket	10038 (was FT9032)	1	1	1	1	1	1
5	stainless steel screw	10086	6	8	6	6	8	8
6	aluminum name plate - socket washer	Use cap kit FT320 or FT321	1	1	1	1	1	1
7	aluminum washer 2.500 x .0625	Use cap kit FT320 or FT321	1	1	1	1	1	1
8	stainless steel spacer	10089	1	1	1	1	1	1
9	aluminum rivet .1875	Use cap kit FT320 or FT321	1	1	1	1	1	1
10	stainless steel cable - socket 8"	Use cap kit FT320 or FT321	1	1	1	1	1	1
11	stainless steel lock washer	10092	2	2	2	2	2	2
12	stainless steel screw	10093	2	2	2	2	2	2
13	stainless steel screw - contact block	10094	1	1	1	1	1	1
14A	vinyl dust cap - thermistor (green)	Use cap kit FT321	n/a	1	n/a	n/a	1	1
14B	vinyl dust cap - optic (blue)	Use cap kit FT320	1	n/a	1	1	n/a	n/a
15A	aluminum name plate - FT300	10099	1	n/a	1	1	n/a	n/a
15B	aluminum name plate - FT301	10100	n/a	1	n/a	n/a	1	1
16	assembly hardware	10106	1	1	1	1	1	1
17	nylon clamp assembly	10264	n/a	1	n/a	n/a	1	1
18A	ALH wear ring - 4 J slots	10366HC-001 (was FT9042)	n/a	1	n/a	n/a	1	n/a
18B	ALH wear ring - 3 J slots	10366HC-002 (was FT9041)	1	n/a	1	n/a	n/a	n/a
18C	stainless steel wear ring - 4 J slots	10366SS-001 (was FT9044)	n/a	n/a	n/a	n/a	n/a	1
18D	stainless steel wear ring - 3 J slots	10366SS-002 (was FT9043)	n/a	n/a	n/a	1	n/a	n/a
19	stainless steel lock washer	10375SS	4	4	4	4	4	4
20	stainless steel screw	10376SS	4	4	4	4	4	4
21	aluminum socket plate	10431AL	1	1	1	1	1	1
22	plastic black button insert	BLACK BUTTON INSERT	6	6	6	6	6	6
23	wiring harness (Plug-n-Play) 20 ft.	10387P-20	1	1	n/a	n/a	n/a	n/a
24	plastic clip	10605PL	1	1	n/a	n/a	n/a	n/a

Product instruction sheets and technical data can be viewed on our website at
dixonbayco.com by selecting the "Resources" menu

Fuel Tanker Overfill Detection

Plug-n-Play Stand Alone Sockets FT306P



Bill of Materials

Item #	Description	Part #	FT208P	FT208PPC
1	aluminum housing	10031 (was FT9007)	1	n/a
2	neoprene gasket	10038 (was FT9032)	1	1
3	stainless steel lock washer	10092	4	4
4	stainless steel screw	10093	2	2
5	wire, assembly, socket	10095	1	1
6	polypropylene pipe plug	10103	2	2
7	5/60 type socket	10119 (was FT9029)	1	1
8	aluminum face plate	10120	1	1
9	neoprene gasket	10121	1	1
10	aluminum name plate - optic	10235	1	1
11	terminal pin	10123	7	7
12	stainless steel carriage bolt	10507SS	2	2
13	stainless steel nut	10508SS	2	2
14	wiring harness (Plug-n-Play) 20 ft.	10387P-20	1	n/a
15	plastic clip	10605PL	1	n/a

Repair Kits

Part #	Description	Includes Item #
FT316	face plate assembly- Optic 5/60 socket	2 - 13

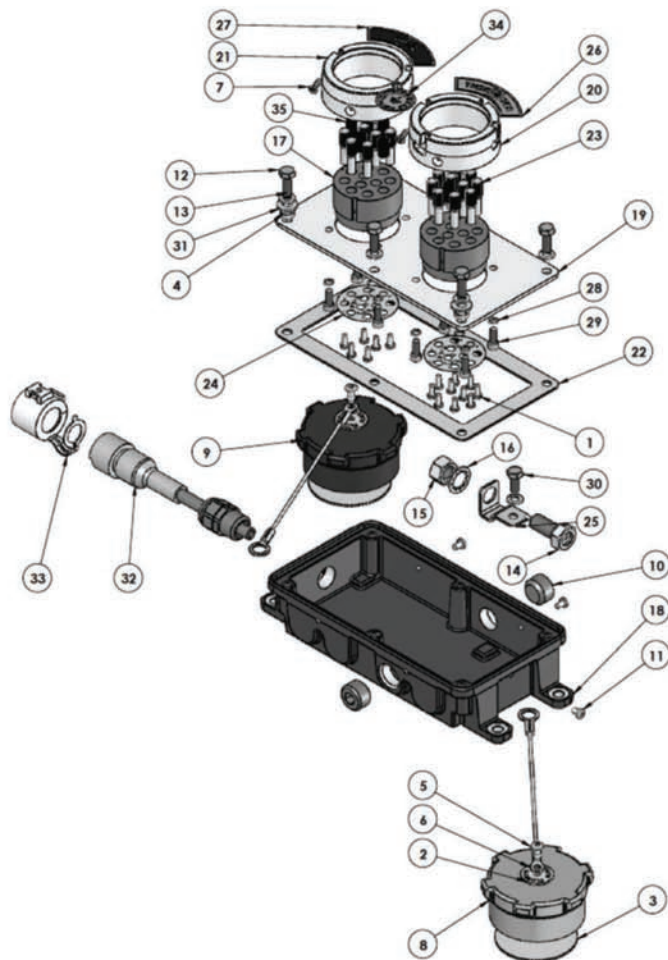
Product instruction sheets and technical data can be viewed on our website at dixonbayco.com by selecting the "Resources" menu

Fuel Tanker Overfill Detection

Plug-n-Play Stand Alone Sockets FT390PG-20

Bill of Materials

Item #	Description	Part #	Qty
1	stainless steel screw	10086	16
2	aluminum name plate - socket washer	use kit FT320 or FT321	2
3	aluminum washer 2.500 x .0625	use kit FT320 or FT321	2
4	stainless steel spacer	10089	2
5	aluminum rivet .1875	use kit FT320 or FT321	2
6	stainless steel cable - socket 8"	use kit FT320 or FT321	2
7	stainless steel screw - contact block	10094	2
8	vinyl dust cap - green	use kit FT321	1
9	vinyl dust cap - blue	use kit FT320	1
10	polypropylene pipe plug	10103	2
11	steel screw - plug	10105	3
12	stainless steel screw	10110	6
13	stainless steel lock washer - 1/4"	10111	7
14	stainless steel ground bolt	10223	1
15	stainless steel nut - ground bolt 1/2"-13	10224	1
16	stainless steel lock washer internal tooth	10225	1
17	plastic contact block - socket short	10254	2
18	aluminum box - dual socket	10364AL-001	1
19	aluminum faceplate - dual socket	10365AL	1
20	stainless steel socket - thermistor	10366SS-001	1
21	stainless steel socket - optic	10366SS-002	1
22	cork gasket - lid	10367CK	1
23	stainless steel socket pin - short	10368SS (was FT9061)	16
24	vinyl label - socket contact	10369VY	2
25	stainless steel bracket - ground bolt	10370SS	1
26	aluminum name plate - thermistor	10373AL	1
27	aluminum name plate - optic	10374AL	1
28	stainless steel lock washer	10375SS	8
29	stainless steel screw	10376SS	8
30	stainless steel screw	10377SS	1
31	stainless steel washer	10382SS	2
32	wiring harness (Plug-n-Play) 20 ft.	10387P-20	1
33	plastic clip	10605PL	1
34	aluminum label - ground bolt	10621AL	1
35	plastic black button insert	BLACK BUTTON INSERT	6



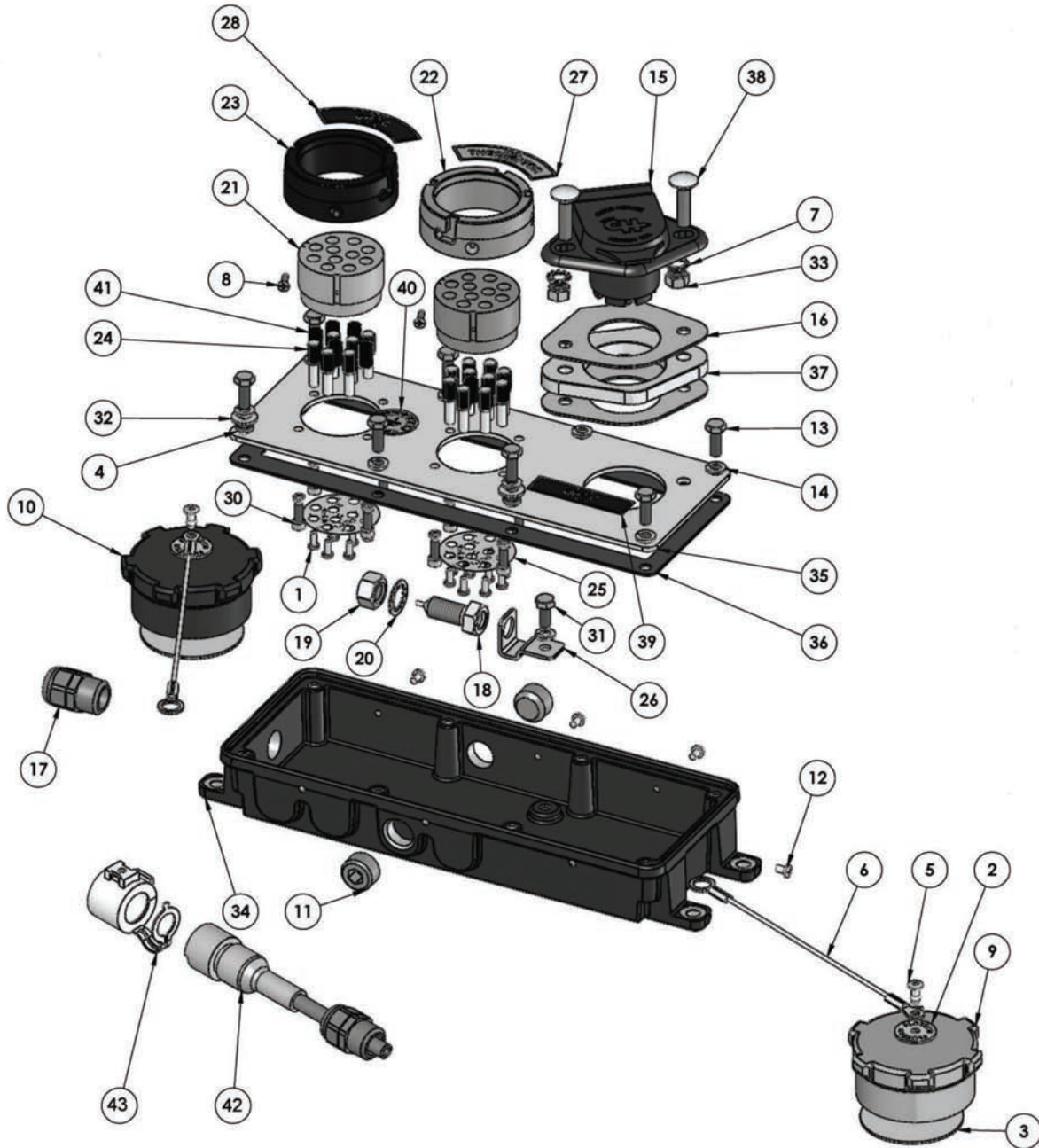
Repair Kits

Part #	Description	Includes Item #
FT320	replacement blue (optic) vinyl cap assembly	2, 3, 5, 6, 9
FT321	replacement green (thermistor) vinyl cap assembly	2, 3, 5, 6, 8
FT9051	replacement contact block assembly for FT390/FT393 Optic 6 pin	1, 7, 17, 23, 24
FT9052	replacement contact block assembly for FT390/FT393 Thermistor 10 pin	1, 7, 17, 23, 24
FT9062	replacement nose ring, contact assembly, Thermistor 4J slot, 10 pin	1, 7, 17, 20, 23, 24
FT9063	replacement nose ring, contact assembly, Optic 3J slot, 6 pin	1, 7, 17, 21, 23, 24
FT9068	replacement contact block attachment screws and washers (4 each)	28, 29

Product instruction sheets and technical data can be viewed on our website at dixonbayco.com by selecting the "Resources" menu

Fuel Tanker Overfill Detection

Plug-n-Play Stand Alone Sockets FT394P & FT395P Series



Overfill
Replacement Parts

Repair Kits

Part #	Description	Includes Item #
FT320	replacement blue (optic) vinyl cap assembly	2, 3, 5, 6, 10
FT321	replacement green (thermistor) vinyl cap assembly	2, 3, 5, 6, 9
FT9051	replacement contact block assembly for FT390/FT393 Optic 6 pin	1, 8, 21, 24, 25
FT9052	replacement contact block assembly for FT390/FT393 Thermistor 10 pin	1, 8, 21, 24, 25
FT9062	replacement nose ring contact assembly, Thermistor 4J slot, 10 pin	1, 8, 21, 22, 24, 25
FT9063	replacement nose ring contact assembly, Optic 3J slot, 6 pin	1, 8, 21, 23, 24, 25
FT9068	replacement contact block attachment screws and washers (4 each)	29, 30

Product instruction sheets and technical data can be viewed on our website at dixonbayco.com by selecting the "Resources" menu

Fuel Tanker Overfill Detection

Plug-n-Play Stand Alone Sockets FT394P & FT395P Series

Bill of Materials

Item #	Description	Part #	FT394P	FT394VP	FT394PG	FT394VPG	FT395PG-20
1	stainless steel screw	10086	16	16	16	16	16
2	aluminum name plate - socket washer	10087	2	2	2	2	2
3	aluminum washer 2.500 x .0625	use kit FT320 or FT321	2	2	2	2	2
4	stainless steel spacer	use kit FT320 or FT321	2	2	2	2	2
5	aluminum rivet .1875	use kit FT320 or FT321	2	2	2	2	2
6	stainless steel cable - socket 8"	use kit FT320 or FT321	2	2	2	2	2
7	stainless steel lock washer	10092	2	2	2	2	2
8	stainless steel screw - contact block	10094	2	2	2	2	2
9	vinyl dust cap - thermistor (green)	use kit FT321	1	1	1	1	1
10	vinyl dust cap - optic (blue)	use kit FT320	1	1	1	1	1
11	polypropylene pipe plug	10103	2	2	2	2	2
12	steel screw - plug	10105	4	4	4	4	4
13	stainless steel screw	10110	8	8	8	8	8
14	stainless steel lock washer - 1/4"	10111	9	9	9	9	9
15	5 60 socket	10119 (was FT9029)	1	1	1	1	1
16	neoprene gasket, float socket	10121	2	2	2	2	2
17	polyamide strain relief	10139	1	1	1	1	1
18	stainless steel ground bolt	10223	n/a	n/a	1	1	n/a
19	stainless steel nut - ground bolt 1/2"- 13	10224	n/a	n/a	1	1	n/a
20	stainless steel lock washer internal tooth	10225	n/a	n/a	1	1	n/a
21	plastic contact block - socket short	10254	2	2	2	2	2
22	stainless steel wear ring - 4 J Slot	10366SS-001 (was FT9044)	1	1	1	1	2
23	stainless steel wear ring - 3 J Slot	10366SS-002 (was FT9043)	1	1	1	1	n/a
24	stainless steel socket pin - short	10368SS (was FT9061)	16	16	16	16	16
25	vinyl label - socket contact	10369VY	2	2	2	2	2
26	stainless steel bracket - ground bolt	10370SS	1	1	1	1	1
27	aluminum name plate - thermistor	10373AL	1	1	1	1	1
28	aluminum name plate - optic	10374AL	1	1	1	1	1
29	stainless steel lock washer	10375SS	8	8	8	8	8
30	stainless steel screw	10376SS	8	8	8	8	8
31	stainless steel screw	10377SS	1	1	1	1	1
32	stainless steel washer	10382SS	2	2	2	2	2
33	stainless steel nut	10508SS	2	2	2	2	2
34	aluminum box - 3 socket	10525AL	1	1	1	1	1
35	aluminum faceplate - three socket	10526AL	1	1	1	1	1
36	cork gasket - lid	10527CK	1	1	1	1	1
37	acetal spacer	10529AC	1	1	1	1	1
38	stainless steel carriage bolt	10530SS	2	2	2	2	2
39	aluminum name plate - optic (blue)	10558AL	1	1	1	1	1
40	aluminum label - ground bolt	10621AL	n/a	n/a	1	1	n/a
41	plastic black button insert	BLACK BUTTON INSERT	6	6	6	6	6
42	wiring harness (Plug-n-Play) 20 ft.	10387P-20	1	1	1	1	1
43	plastic clip	10605PL	1	1	1	1	1

Product instruction sheets and technical data can be viewed on our website at
dixonbayco.com by selecting the "Resources" menu