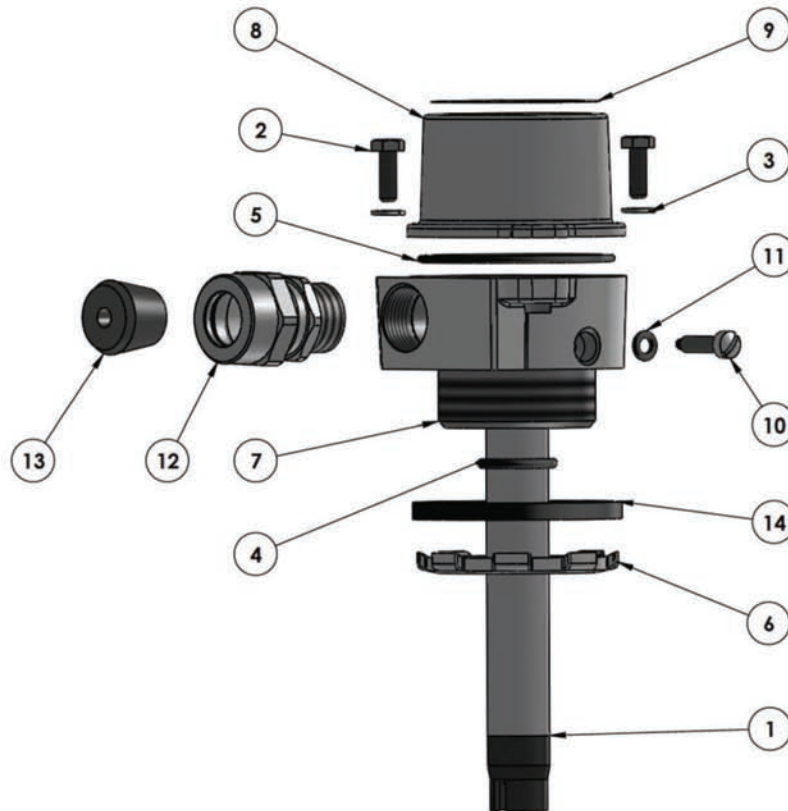


Fuel Tanker Overfill Detection

Plug-n-Play Sensors FT151P Series, Overfill Sensor Housings



Bill of Materials

Item #	Description	Part #	Qty
1	Plug-n-Play probe	See repair kits	1
2	stainless steel screw	10110	2
3	stainless steel lock washer - 1/4"	10111	2
4	FKM O-ring	10125 (was FT9027)	1
5	Buna O-ring	10126 (was FT9049)	1
6	steel locknut	10128 (was FT9012)	1
7	aluminum sensor housing	10183-P&P	1
8	aluminum sensor housing cap	10185	1
9	mylar label	10204	1
10	stainless steel screw with nylon insert	10212	1
11	Buna-N O-ring	10213	1
12	cord grip assembly	10248	1
13	rubber bushing	10638	1
14	Buna-N gasket	250-G-BU (was FT9026)	1

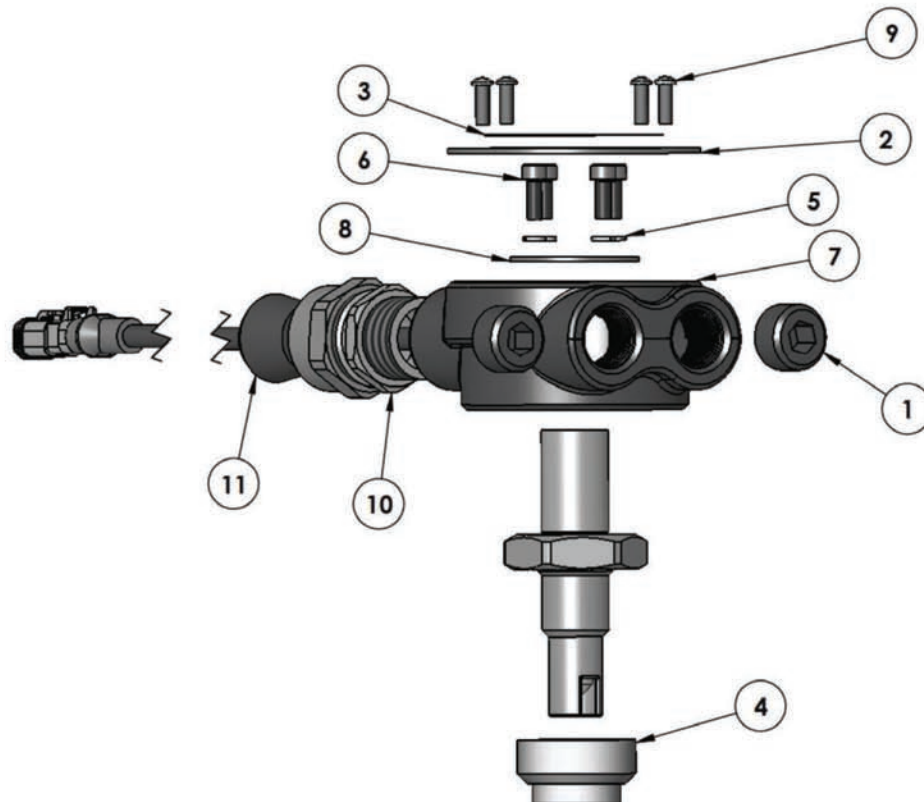
Repair Kits

Part #	Description	Includes Item #
FT150P	Replacement Plug-n-Play overfill detection probe. - 7"	1
FT150-12P	Replacement Plug-n-Play overfill detection probe. - 12"	1
FT150-18P	Replacement Plug-n-Play overfill detection probe. - 18"	1
FT9000P	Complete replacement Plug-n-Play sensor housing (without probe)	2-14
FT9001	Sensor housing gasket & O-ring kit	5, 6, 7, 13
FT9011	Sensor housing cap with screws & lock washers	2, 3, 8

Product instruction sheets and technical data can be viewed on our website at dixonbayco.com by selecting the "Resources" menu

Fuel Tanker Overfill Detection

Plug-n-Play Sensors FT152P Retain Sensor Housings



Bill of Materials

Item #	Description	Part #	Qty
1	polypropylene pipe plug	10103	2
2	aluminum retain sensor lid	10134	1
3	mylar label - retain sensor	10343	1
4	aluminum threaded collar	10347 (was FT9050)	1
5	stainless steel lock washer	10375SS	4
6	stainless steel screw	10376SS	4
7	nylon retain sensor housing	10471NY-P&P	1
8	aluminum back-up plate	10476AL	1
9	stainless steel screw	10477SS	4
10	aluminum cord grip assembly	10248	1
11	rubber bushing	10638	1

Repair Kits

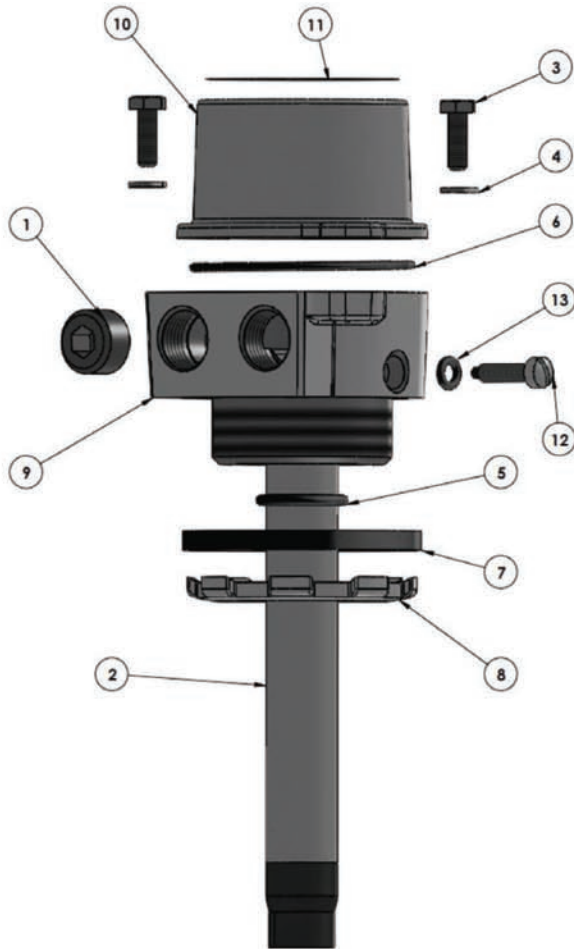
Part #	Description	Includes Item #
FT9068	replacement contact block attachment screws and washers (4 each)	5,6

Note: Probe is not replaceable, if probe needs replacing a complete FT152P needs to be ordered.

Product instruction sheets and technical data can be viewed on our website at dixonbayco.com by selecting the "Resources" menu

Fuel Tanker Overfill Detection

FT101, FT151 & FT202 Series Overfill Sensor Housings



Bill of Materials

Item #	Description	Part #	Qty
1	polypropylene pipe plug	10103	1
2	probe	see repair kits	1
3	stainless steel screw	10110	2
4	stainless steel lock washer - 1/4"	10111	2
5	FKM O-ring	10125 (was FT9027)	1
6	Buna O-ring	10126 (was FT9049)	1
7	Buna-n gasket	250-G-BU (was FT9026)	1
8	steel lock nut	10128 (was FT9012)	1
9	aluminum sensor housing	10183 (was FT9033)	1
10	aluminum sensor housing cap	10185	1
11	mylar label - overfill sensor	10203	1
12	stainless steel screw with nylon insert	10212	1
13	Buna-N O-ring	10213	1

Repair Kits

Part #	Description	Includes Item #
FT100	Replacement 5 wire overfill detection probe. -7"	2
FT100-12	Replacement 5 wire overfill detection probe. -12"	2
FT100-18	Replacement 5 wire overfill detection probe. -18"	2
FT150	Replacement black & white 2 wire overfill detection probe. - 7"	2
FT150-12	Replacement black & white 2 wire overfill detection probe. - 12"	2
FT150-18	Replacement black & white 2 wire overfill detection probe. - 18"	2
FT201	Replacement red & black 2 wire overfill detection probe. - 7"	2
FT201-12	Replacement red & black 2 wire overfill detection probe. - 12"	2
FT201-18	Replacement red & black 2 wire overfill detection probe. - 18"	2
FT9000	Complete replacement sensor housing (without probe)	1, 3 -13
FT9001	Sensor housing gasket & O-ring kit	5-7, 13
FT9002	Sensor housing gasket, O-ring & hardware kit	1, 3-8, 12, 13
FT9011	Sensor housing cap with screws & lock washers	3, 4, 10

Product instruction sheets and technical data can be viewed on our website at dixonbayco.com by selecting the "Resources" menu

Fuel Tanker Overfill Detection

FT152 & FT206 Retain Sensor Housings

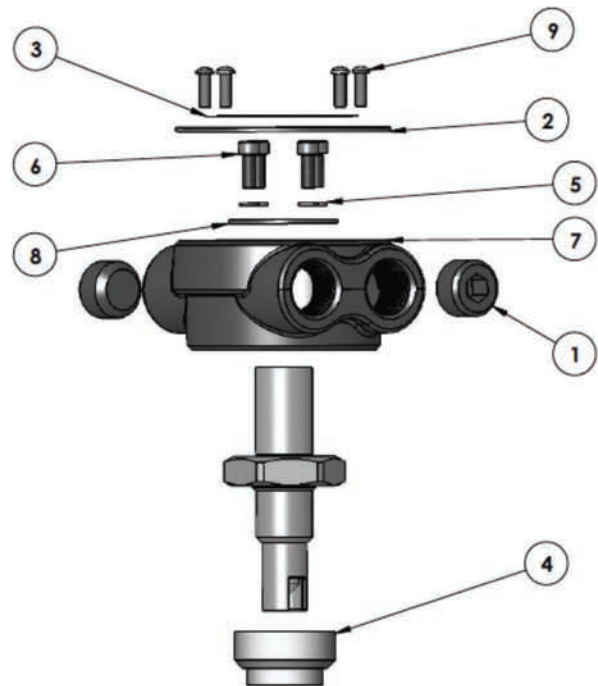
Bill of Materials

Item #	Description	Part #	Qty
1	polypropylene pipe plug	10103	2
2	aluminum retain sensor lid	10134	1
3	mylar label - retain sensor	10343	1
4	aluminum threaded collar	10347 (was FT9050)	1
5	stainless steel lockwasher	10375SS	4
6	stainless steel screw	10376SS	4
7	nylon retain sensor housing	10471NY	1
8	aluminum back-up plate	10476AL	1
9	stainless steel screw	10477SS	4

Repair Kits

Part #	Description	Includes Item #
FT9055	replacement hardware kit	2, 3
FT9068	replacement contact block attachment screws and washers (4 each)	5, 6

Note: probe is not replaceable.



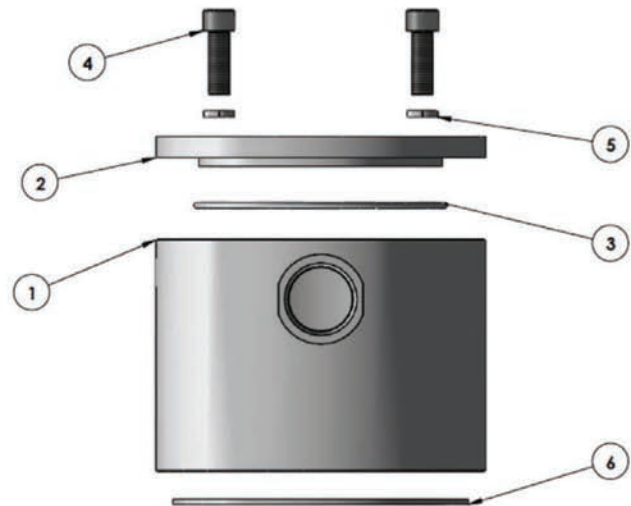
FT191S Overfill Sensor Housing

Bill of Materials

Item #	Description	Part #	Qty
1	3" stainless steel NPSM housing	10540SS	1
2	aluminum housing lid	10541AL	1
3	Buna-N O-ring	10542BN	1
4	stainless steel screw	10554SS	4
5	stainless steel lock washer	40099SS	4
6	PTFE gasket	40190TF	1

Stainless Steel Probes

Part #	Description
FT100S	5 wire overfill detection, 316 stainless steel probe only 7"
FT150S	black & white 2 wire overfill detection, 316 stainless steel probe only 7"



Overfill
Replacement Parts

Product instruction sheets and technical data can be viewed on our website at dixonbayco.com by selecting the "Resources" menu