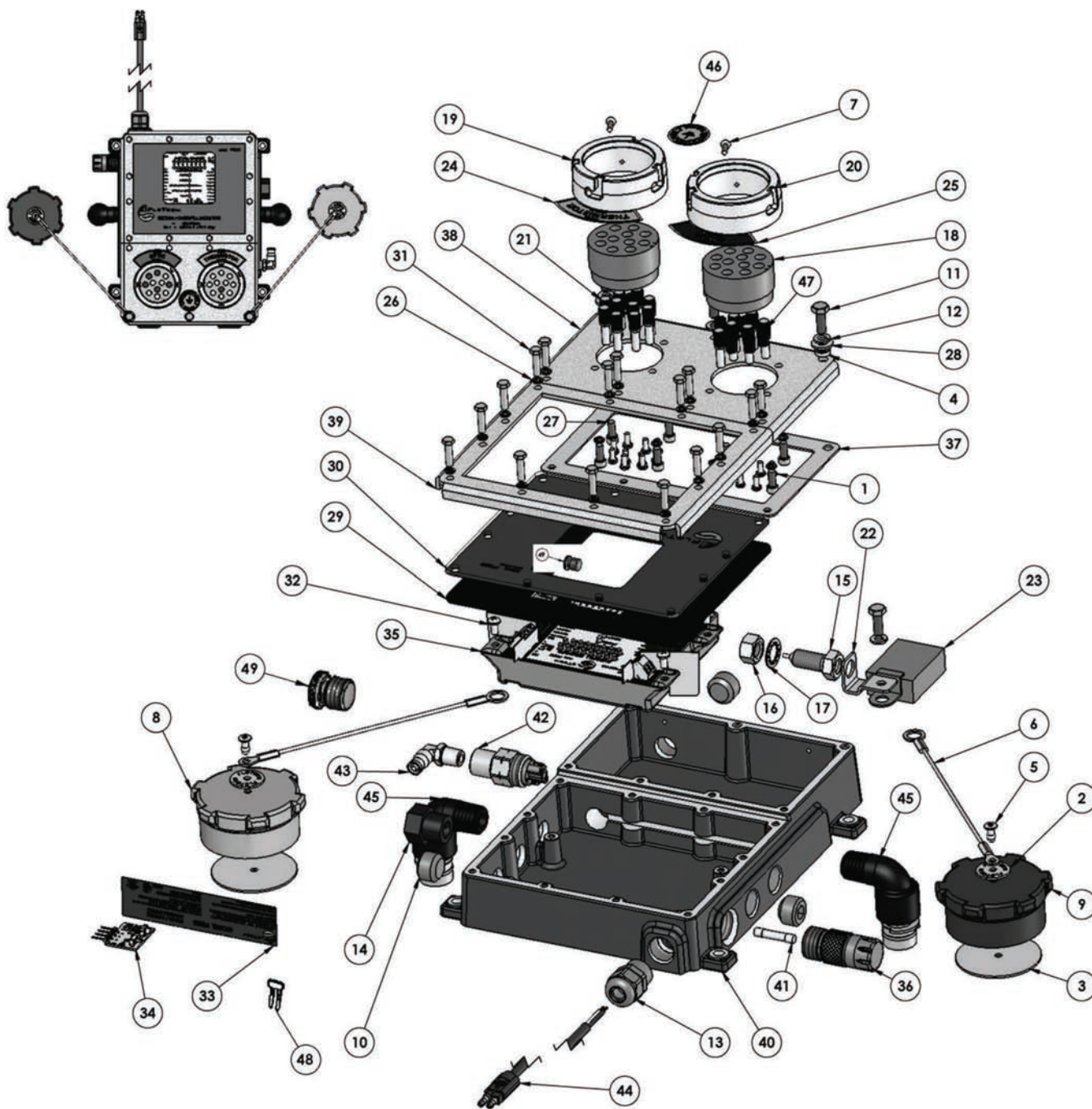


# Fuel Tanker Overfill Detection

## FT208 - 39xP Series Plug-n-Play Monitors with Integrated Dual Sockets



Overfill  
Replacement Parts

Product instruction sheets and technical data can be viewed on our website at [dixonbayco.com](http://dixonbayco.com) by selecting the "Resources" menu

# Fuel Tanker Overfill Detection

## Plug-n-Play Monitors with Integrated Dual Sockets

**Bill of Materials**

**Quantity of Components Per Unit**

Item #	Description	Part #	Quantity of Components Per Unit																								
			FT208-390P	FT208-390PG	FT208-390PGS	FT208-390PGSO	FT208-390PGST	FT208-390PGSTO	FT208-390PGT	FT208-390PP	FT208-390PPG	FT208-390PPGS	FT208-390PPGSO	FT208-390PPGST	FT208-390PPGSTO	FT208-390PPGT	FT208-391P	FT208-391PG	FT208-391PGS	FT208-391PGST	FT208-391PGT	FT208-391PP	FT208-391PPG	FT208-391PPGS	FT208-391PPGST	FT208-391PPGT	
1	stainless steel screw	10086	16	16	16	16	16	16	16	16	16	16	16	16	16	16	16	16	16	16	16	16	16	16	16	16	16
2	aluminum name plate - socket washer	use kit FT320 or FT321	2	2	2	2	2	2	2	2	2	2	2	2	2	2	2	2	2	2	2	2	2	2	2	2	2
3	aluminum washer 2.500 x .0625	use kit FT320 or FT321	2	2	2	2	2	2	2	2	2	2	2	2	2	2	2	2	2	2	2	2	2	2	2	2	2
4	stainless steel spacer	10089	2	2	2	2	2	2	2	2	2	2	2	2	2	2	2	2	2	2	2	2	2	2	2	2	2
5	aluminum rivet .1875	use kit FT320 or FT321	2	2	2	2	2	2	2	2	2	2	2	2	2	2	2	2	2	2	2	2	2	2	2	2	2
6	stainless steel cable - socket 8"	use kit FT320 or FT321	2	2	2	2	2	2	2	2	2	2	2	2	2	2	2	2	2	2	2	2	2	2	2	2	2
7	stainless steel screw - contact block	10094	2	2	2	2	2	2	2	2	2	2	2	2	2	2	2	2	2	2	2	2	2	2	2	2	2
8	vinyl dust cap - thermistor (green)	use kit FT321	1	1	1	1	1	1	1	1	1	1	1	1	1	1	1	1	1	1	1	1	1	1	1	1	1
9	vinyl dust cap - optic (blue)	use kit FT320	1	1	1	1	1	1	1	1	1	1	1	1	1	1	1	1	1	1	1	1	1	1	1	1	1
10	polypropylene pipe plug	10103	4	4	4	4	4	4	4	3	3	3	3	3	3	3	4	4	4	4	4	4	3	3	3	3	3
11	stainless steel screw	10110	4	4	4	4	4	4	4	4	4	4	4	4	4	4	4	4	4	4	4	4	4	4	4	4	4
12	stainless steel lock washer	10111	4	4	4	4	4	4	4	4	4	4	4	4	4	4	4	4	4	4	4	4	4	4	4	4	4
13	polyamide strain relief	10139	n/a	n/a	n/a	1	n/a	1	n/a	n/a	n/a	n/a	1	n/a	1	n/a	n/a	n/a	n/a	n/a	n/a	n/a	n/a	n/a	n/a	n/a	n/a
14	reset switch assy	10200A	1	1	1	1	1	1	1	1	1	1	1	1	1	1	1	1	1	1	1	1	1	1	1	1	1
15	stainless steel ground bolt	10223	n/a	1	1	1	1	1	1	1	n/a	1	1	n/a	1	1	1	n/a	1	1	1	1	n/a	1	1	1	1
16	nut - ground bolt 1/2"-13 stainless steel	10224	n/a	1	1	1	1	1	1	1	n/a	1	1	n/a	1	1	1	n/a	1	1	1	1	n/a	1	1	1	1
17	stainless steel lock washer internal tooth	10225	n/a	1	1	1	1	1	1	1	n/a	1	1	n/a	1	1	1	n/a	1	1	1	1	n/a	1	1	1	1
18	plastic contact block - socket short	10254	2	2	2	2	2	2	2	2	2	2	2	2	2	2	2	2	2	2	2	2	2	2	2	2	2
19	stainless steel ring 4 J slots	10366SS-001 (was FT9044)	1	1	1	1	1	1	1	1	1	1	1	1	1	1	1	2	2	2	2	2	2	2	2	2	2
20	stainless steel ring 3 J slots	10366SS-002 (was FT9043)	1	1	1	1	1	1	1	1	1	1	1	1	1	1	1	1	n/a	n/a	n/a	n/a	n/a	n/a	n/a	n/a	n/a
21	stainless steel socket pin - short	10368SS (was FT9061)	16	16	16	16	16	16	16	16	16	16	16	16	16	16	16	16	16	16	16	16	16	16	16	16	16
22	stainless steel bracket - ground bolt	10370SS	n/a	1	1	1	1	1	1	1	n/a	1	1	n/a	1	1	1	n/a	1	1	1	1	1	1	1	1	1
23	T.I.M. module	10372	n/a	n/a	n/a	n/a	1	1	1	n/a	n/a	n/a	n/a	1	1	1	n/a	n/a	n/a	1	1	n/a	n/a	n/a	1	1	1
24	aluminum name plate - thermistor	10373AL	1	1	1	1	1	1	1	1	1	1	1	1	1	1	1	1	1	1	1	1	1	1	1	1	1
25	aluminum name plate - optic	10374AL	1	1	1	1	1	1	1	1	1	1	1	1	1	1	1	1	1	1	1	1	1	1	1	1	1
26	stainless steel lock washer	10375SS	24	24	24	24	24	24	24	24	24	24	24	24	24	24	24	24	24	24	24	24	24	24	24	24	24
27	stainless steel screw	10376SS	8	8	8	8	8	8	8	8	8	8	8	8	8	8	8	8	8	8	8	8	8	8	8	8	8
28	stainless steel washer	10382SS	2	2	2	2	2	2	2	2	2	2	2	2	2	2	2	2	2	2	2	2	2	2	2	2	2
29	neoprene gasket	10432NP (was FT9045)	1	1	1	1	1	1	1	1	1	1	1	1	1	1	1	1	1	1	1	1	1	1	1	1	1
30	acrylic bezel	10433PL	1	1	1	1	1	1	1	1	1	1	1	1	1	1	1	1	1	1	1	1	1	1	1	1	1
31	stainless steel screw	10436SS	16	16	16	16	16	16	16	16	16	16	16	16	16	16	16	16	16	16	16	16	16	16	16	16	16
32	stainless steel screw - sems	10437SS	4	4	4	4	4	4	4	4	4	4	4	4	4	4	4	4	4	4	4	4	4	4	4	4	4
33	chrome mylar label	10438A	1	1	1	1	1	1	1	1	1	1	1	1	1	1	1	1	1	1	1	1	1	1	1	1	1
34	programming board assembly	10459 (was FT9035)	1	1	1	1	1	1	1	1	1	1	1	1	1	1	1	1	1	1	1	1	1	1	1	1	1
35	potted OBM	10465	1	1	1	1	1	1	1	1	1	1	1	1	1	1	1	1	1	1	1	1	1	1	1	1	1
36	fuse holder assembly	10596PLAC	1	1	1	1	1	1	1	1	1	1	1	1	1	1	1	1	1	1	1	1	1	1	1	1	1
37	cork gasket - lid	10597CK	1	1	1	1	1	1	1	1	1	1	1	1	1	1	1	1	1	1	1	1	1	1	1	1	1
38	aluminum faceplate	10598AL	1	1	1	1	1	1	1	1	1	1	1	1	1	1	1	1	1	1	1	1	1	1	1	1	1
39	aluminum frame	10599AL	1	1	1	1	1	1	1	1	1	1	1	1	1	1	1	1	1	1	1	1	1	1	1	1	1
40	aluminum housing	10600AL	1	1	1	1	1	1	1	1	1	1	1	1	1	1	1	1	1	1	1	1	1	1	1	1	1
41	glass fuse .5 amp	10601	1	1	1	1	1	1	1	1	1	1	1	1	1	1	1	1	1	1	1	1	1	1	1	1	1
42	brass pressure switch	10602BR	n/a	n/a	1	1	1	1	n/a	n/a	n/a	1	1	1	1	n/a	n/a	n/a	1	1	n/a	n/a	1	1	1	1	n/a
43	brass dot air brake swivel fitting	10603BR	n/a	n/a	1	1	1	1	n/a	n/a	n/a	1	1	1	1	n/a	n/a	n/a	1	1	n/a	n/a	1	1	1	1	n/a
44	power wire Plug-N-Play	10612	n/a	n/a	n/a	1	n/a	1	n/a	n/a	n/a	n/a	1	n/a	1	n/a	n/a	n/a	n/a	n/a	n/a	n/a	n/a	n/a	n/a	n/a	n/a
45	OBM plug elbow assy (Plug-n-Play)	10616PLBN	1	1	1	1	1	1	1	2	2	2	2	2	2	2	2	1	1	1	1	1	1	2	2	2	2
46	aluminum label - ground bolt	10621AL	1	1	1	1	1	1	1	1	1	1	1	1	1	1	1	1	1	1	1	1	1	1	1	1	1
47	plastic black button insert	BLACK BUTTON INSERT	6	6	6	6	6	6	6	6	6	6	6	6	6	6	6	6	6	6	6	6	6	6	6	6	6
48	jumper cross connector	10196	1	1	n/a	n/a	n/a	n/a	1	1	1	n/a	n/a	n/a	n/a	1	1	1	n/a	n/a	1	1	1	n/a	n/a	1	1
49	acetal plug	10606AC-002	1	1	n/a	n/a	n/a	n/a	1	1	1	n/a	n/a	n/a	n/a	1	1	1	n/a	n/a	1	1	1	n/a	n/a	1	1

**Repair Kits**

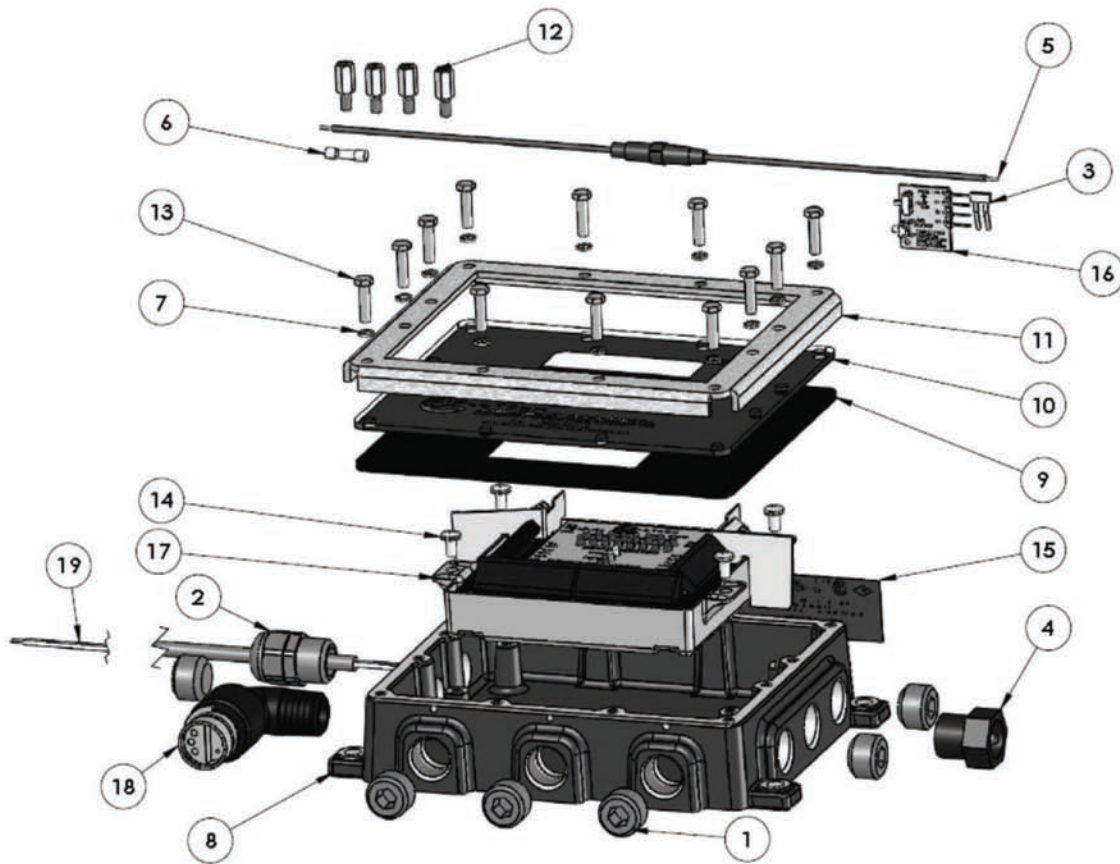
Part #	Description	Includes Item #
<b>FT320</b>	replacement blue (optic) vinyl cap assembly	2, 3, 5, 6, 9
<b>FT321</b>	replacement green (thermistor) vinyl cap assembly	2, 3, 5, 6, 8
<b>FT9051</b>	replacement contact assembly for FT390/393 Optic 6 pin	1, 7, 18, 21
<b>FT9052</b>	replacement contact assembly for FT390/393 Thermistor 10 pin	1, 7, 18, 21
<b>FT9062</b>	replacement nose ring contact assembly, Thermistor 4J slot, 10 pin	1, 7, 18, 19, 21
<b>FT9063</b>	replacement nose ring contact assembly, Optic 3 J slot, 6 pin	1, 7, 18, 20, 21
<b>FT9068</b>	replacement contact block attachment screws and washers (4 each)	26, 27

Product instruction sheets and technical data can be viewed on our website at [dixonbayco.com](http://dixonbayco.com) by selecting the "Resources" menu

Overfill Replacement Parts

# Fuel Tanker Overfill Detection

## FT 208P Series Plug-n-Play Stand Alone Monitors



### Bill of Materials

Item #	Description	Part #	FT208P	FT208PP	FT208PPC
1	polypropylene pipe plug	10103	6	4	3
2	polyamide strain relief	10139	1	1	2
3	jumper - cross connector	10196	1	1	1
4	reset switch assembly	10200A	1	1	1
5	plastic fuse holder	10356	1	1	1
6	brass/glass fuse - 1/2 amp	10358 (was FT9039)	1	1	1
7	stainless steel lock washer	10375SS	12	12	12
8	aluminum box	10430AL	1	1	1
9	neoprene gasket	10432NP (was FT9045)	1	1	1
10	acrylic bezel	10433PL	1	1	1
11	aluminum frame	10434AL	1	1	1
12	aluminum standoff (old style boxes)	10435AL	4	4	n/a
13	stainless steel screw	10436SS	12	12	12
14	stainless steel screw - stems	10437SS	4	4	4
15	chrome mylar label	10438A	1	1	1
16	programming board assembly	10459 (was FT9035)	1	1	1
17	potted OBM	10465	1	1	1
18	OBM plug elbow assy (Plug-n-Play)	10616PLBN	1	3	3
19	power cable	10639	1	1	n/a

### Repair Kits

Part #	Description	Includes Item #
FT9036	replacement lid, bezel, screws & lockwashers	7, 9, 10, 11, 13
FT9040	replacement checkmate housing with lid	1, 7-14

Product instruction sheets and technical data can be viewed on our website at [dixonbayco.com](http://dixonbayco.com) by selecting the "Resources" menu