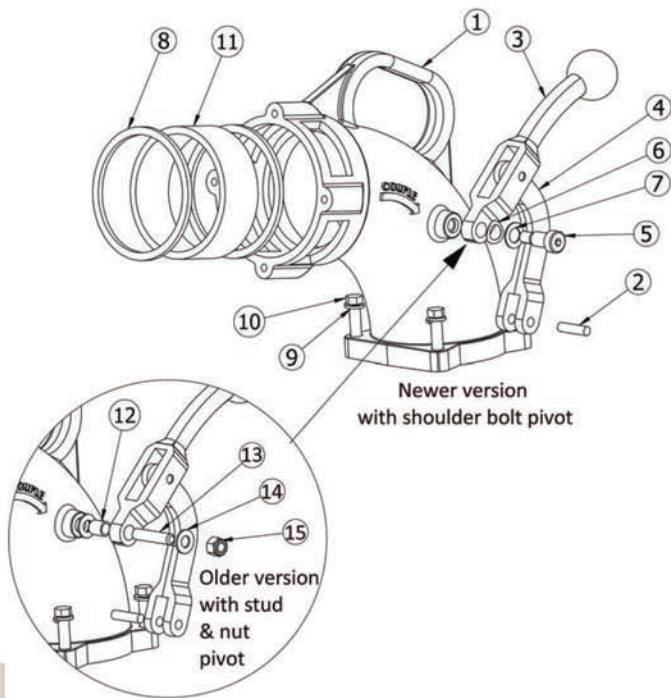


Fuel Delivery

Top Side Lever Elbows

Fits 6200 Elbow Only



Bill of Materials

Item #	Description	Part #	Qty
1	body	6200-1	1
2	pin	PIN5/16X 1 1/4-P	2
3	handle	use kit 6200-15ASSM	1
4	handle linkage	use kit 6200-15ASSM	1
5 ¹	shoulder bolt	use kit 6200SBK	1
6 ¹	wave washer	use kit 6200SBK	2
7 ¹	SS flat washer	use kit 6200SBK	1
8A	Baylast™ gasket	4433	2
8B	FKM gasket (optional)	4426	2
9	lock washer	use kit 6000EHK	4
10	bolt	use kit 6000EHK	4
11	sight glass	use kit 6200SGK	1
12 ²	bushing	use kit 6200SHK	1
13 ²	stud	use kit 6200SHK	1
14 ²	nylon washer	use kit 6200SHK	2
15 ²	nut	use kit 6200SHK	1

¹ items 5 through 7 are for newer version with shoulder bolt pivot only

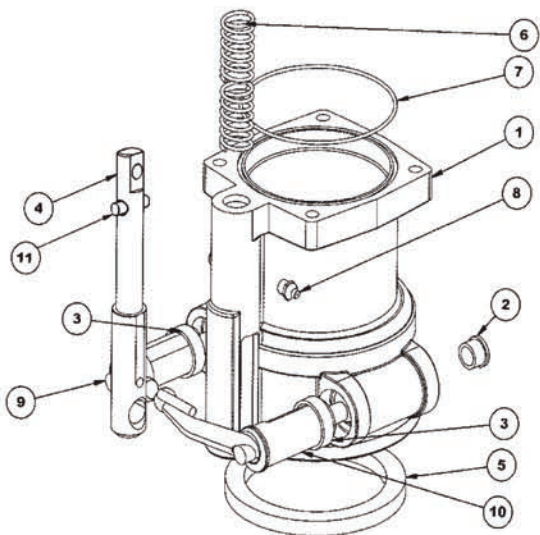
² for older version with stud and nut pivot use items 12 through 15 instead

Repair Kits

Part #	Description	Includes Item #
6200-15ASSM	replacement handle, linkage and pin	2, 3, 4
6200SGK	replacement sight glass and Baylast™ seals	8, 11
6000EHK	replacement bolts and lock washers	9, 10
6200SBK ¹	replacement shoulder bolt pivot, wave washer and flat washer	5, 6, 7
6200SHK ²	replacement stud pivot, nylon washers, bushing and nut	12, 13, 14, 15

Bottom Unit, for Side Lever Elbows

Fits 6200, 6400 and 6500 Standard and Tall Elbows



Bill of Materials

Item #	Description	Part #	Qty
1	body	use kit 6230 or 6230X	1
2	small bushing	use kit 6200BK	2
3	large bushing	use kit 6200BK	2
4A	handle stem (standard)	6200-7	1
4B	handle stem (tall)	6200-7X	1
5	main gasket	6000-9	1
6	spring	112012	1
7	O-ring	AS156	1
8	grease nipple	NIPPLE/1	1
9	right arm	use kit 6200ARK	1
10	left arm	use kit 6200ARK	1
11	pin	PIN5/16X 1 1/4-P	1

Repair Kits

Part #	Description	Includes Item #
6230	complete standard replacement bottom unit	all
6230X	complete tall replacement bottom unit	all
6200ARK	replacement L and R arms, main gasket, O-rings, small and large bushings	2, 3, 5, 7, 9, 10
6200BK	replacement small and large bushings	2, 3

Product instruction sheets and technical data can be viewed on our website at dixonbayco.com by selecting the "Resources" menu

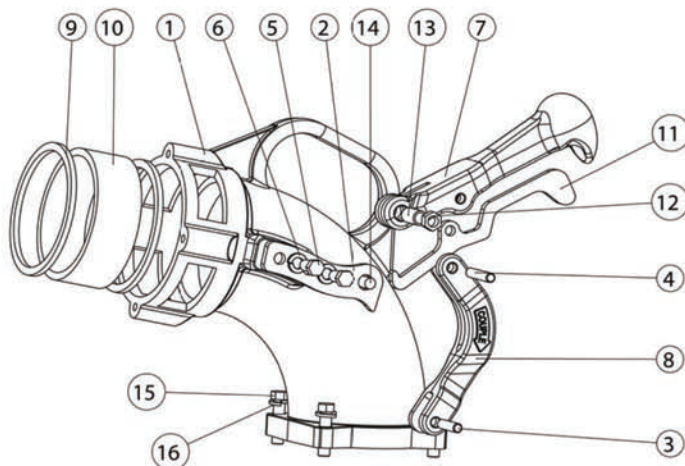
Fuel Delivery

Top Side Lever Elbows

Fits 6500 Elbow Only

Bill of Materials

Item #	Description	Part #	Qty
1	body	341709	1
2	mounting plate	use kit 6500AHK	1
3	lower lever pin	111728	1
4	upper lever pin	111727	1
5	plate screw	111732	3
6	washer	111569	3
7	handle	use kit 6500-RK1	1
8	linkage	use kit 6500-RK1	1
9A	Baylast™ gasket	4433	2
9B	FKM gasket (optional)	4426	2
10	sight glass	use kit 6200SGK	1
11	locking latch	use kit 6500-RK1	1
12	lock nut	111730	1
13	bushing	390841	1
14	screw	111729	1
15	bolt	use kit 6000EHK	4
16	lock washer	use kit 6000EHK	4



For bottom end replacement parts, please see below

Repair Kits

Part #	Description	Includes Item #
6200SGK	replacement sight glass and Baylast™ seals	9A, 10
6000EHK	replacement bolts, washers	15, 16
6500-RK1	replacement handle, linkage, lock latch, nut, bushing, pins	2, 3, 4, 5, 6, 7, 8, 11, 12, 13, 14
6500AHK	replacement mounting plate, screws and lock washers	2, 5, 6, 14

6303 and 6304 Series Straight Drop Fittings

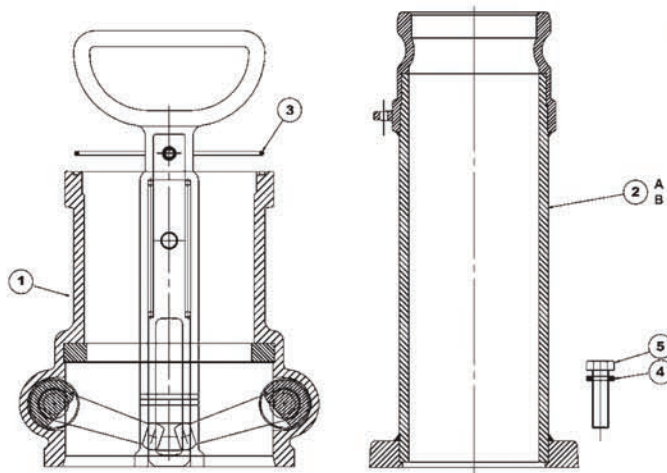
6303 (3" inlet), 6304 (4" inlet)

Bill of Materials

Item #	Description	Part #	Qty
1	complete bottom unit	6030	1
2A	4" adapter inlet tube	6304-1	1
2B	4" MNPT inlet tube	400460	1
2C	3" adapter inlet tube	6300-3	1
2D	3" MNPT inlet tube	400588	1
3	O-ring	AS156	1
4	lock washer	use kit 6000EHK	4
5	bolt	use kit 6000EHK	4

Elbow Hardware Kit

Part #	Description	Includes Item #
6000EHK	lock washer, bolt	4, 5



Product instruction sheets and technical data can be viewed on our website at dixonbayco.com by selecting the "Resources" menu