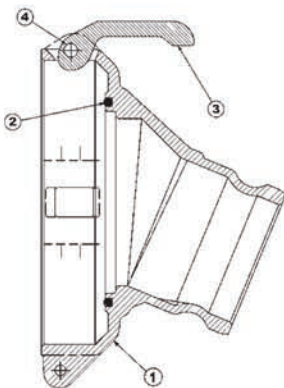


# Fuel Delivery

## 4530 and 4540 Series Gravity Drop Adapters



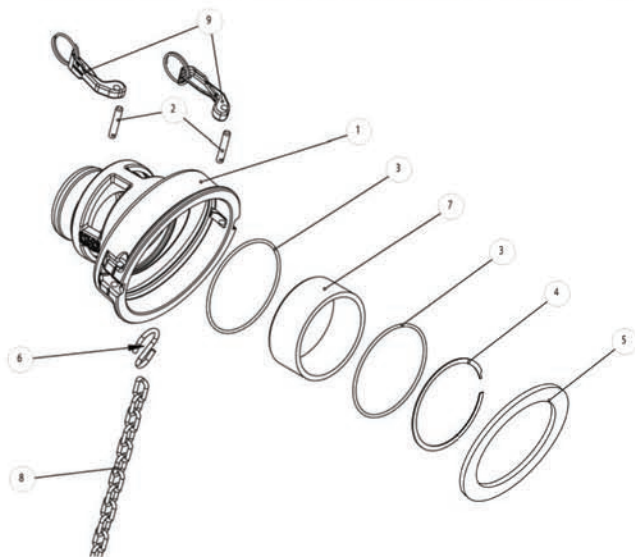
### Bill of Materials

| Item # | Description                      | Part #          | Qty |
|--------|----------------------------------|-----------------|-----|
| 1      | body                             | ---             | 1   |
| 2A     | Baylast™ O-ring (standard)       | <b>4500-5</b>   | 1   |
| 2B     | FKM O-ring (standard)            | <b>4500-7</b>   | 1   |
| 3      | cam arm and ring                 | <b>ACAR34BZ</b> | 2   |
| 4      | cam pin                          | <b>L519-12</b>  | 2   |
| ---    | replacement 18" chain and S hook | <b>5205-RK4</b> | 1   |

### Repair Kits

| Part #          | Description                               | Item #   |
|-----------------|---|----------|
| <b>4500RK</b>   | cam arms, rings, pins and Baylast™ O-ring | 2A, 3, 4 |
| <b>4500RK-V</b> | cam arms, rings, pins and FKM O-ring      | 2B, 3, 4 |
| <b>5205-RK4</b> | 8" security chain and S hook              | -        |

## 4530SG and 4540SG (with Sight Glass) Gravity Drop Adapters



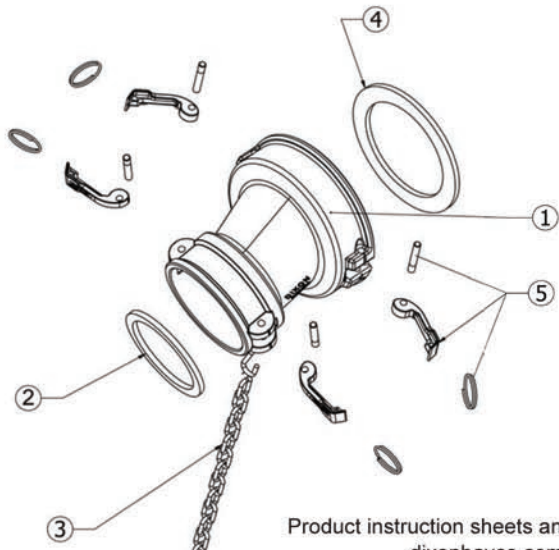
### Bill of Materials

| Item # | Description          | Part #                    | Qty |
|--------|----------------------|---------------------------|-----|
| 1      | body                 | ---                       | 1   |
| 2      | cam arm pin          | <b>L519-15</b>            | 2   |
| 3      | Baylast™ O-ring      | <b>112052</b>             | 2   |
| 4      | retaining ring       | <b>112053</b>             | 1   |
| 5      | Baylast™ main gasket | <b>4540SG-RK2</b>         | 1   |
| 6      | S hook               | use kit <b>5205-RK4</b>   | 1   |
| 7      | sight glass          | use kit <b>4540SG-RK1</b> | 1   |
| 8      | 18" chain            | use kit <b>5205-RK4</b>   | 1   |
| 9      | cam arm and ring     | <b>ACAR34BZ</b>           | 2   |

### Repair Kits

| Part #              | Description                                    | Item #  |
|---------------------|--|---------|
| <b>4540SG-RK1</b>   | sight glass repair kit (fits 3" and 4")        | 3, 4, 7 |
| <b>4540SG-RK2</b>   | Baylast™ main gasket (fits 3" and 4")          | 5A      |
| <b>4540SG-RK2-V</b> | FKM main gasket (fits 3" and 4")               | 5B      |
| <b>4540SG-RK3</b>   | replacement cam arms and pins (fits 3" and 4") | 2, 9    |
| <b>5205-RK4</b>     | replacement chain and "S" hook                 | 6, 8    |

## 4540F Gravity Drop Adapters



### Bill of Materials

| Item # | Description                              | Part #            | Qty |
|--------|--|-------------------|-----|
| 1      | body                                     | ---               | 1   |
| 2      | 4" Buna fuel gasket                      | <b>400-G-BF</b>   | 1   |
| 3      | 18" chain with S hook                    | <b>5205-RK4</b>   | 1   |
| 4      | Baylast™ main gasket                     | <b>4540SG-RK2</b> | 1   |
| 5      | brass cam arm, pin and finger ring (kit) | <b>300-HRP-BR</b> | 4   |

Product instruction sheets and technical data can be viewed on our website at [dixonbayco.com](http://dixonbayco.com) by selecting the "Resources" menu

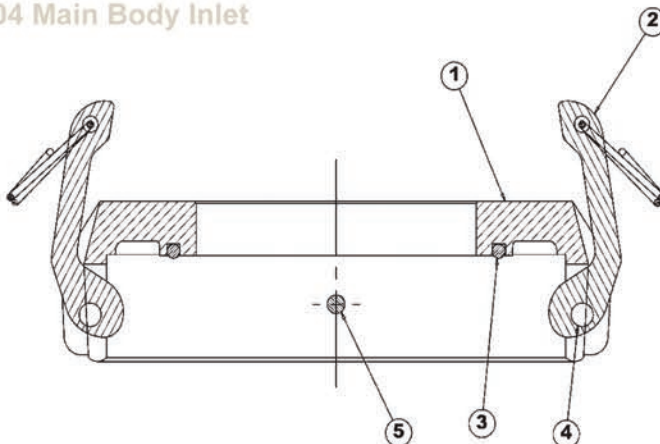
# Fuel Delivery

## 4500 Drop Adapter Mounting Ring for 2 Piece Gravity Drop Adapters

4500, 4502 and 4504 Main Body Inlet

### Bill of Materials

| Item # | Description                | Part #          | Qty |
|--------|----------------------------|-----------------|-----|
| 1      | body                       | ---             | 1   |
| 2      | cam arm and ring           | <b>ACAR34BZ</b> | 2   |
| 3A     | Baylast™ O-ring (standard) | <b>4500-5</b>   | 1   |
| 3B     | FKM O-ring (optional)      | <b>4500-7</b>   | 1   |
| 4      | cam arm pin                | <b>L519-12</b>  | 2   |
| 5      | rivet                      | <b>390564</b>   | 1   |



### Repair Kits

| Part #          | Description  | Item #   |
|-----------------|--|----------|
| <b>4500RK</b>   | replacement cam arms, rings, pins and Baylast™ O-ring (standard) | 2, 3A, 4 |
| <b>4500RK-V</b> | replacement cam arms, rings, pins and FKM O-ring (optional)      | 2, 3B, 4 |

## 4500 Series Drop Adapter Outlets

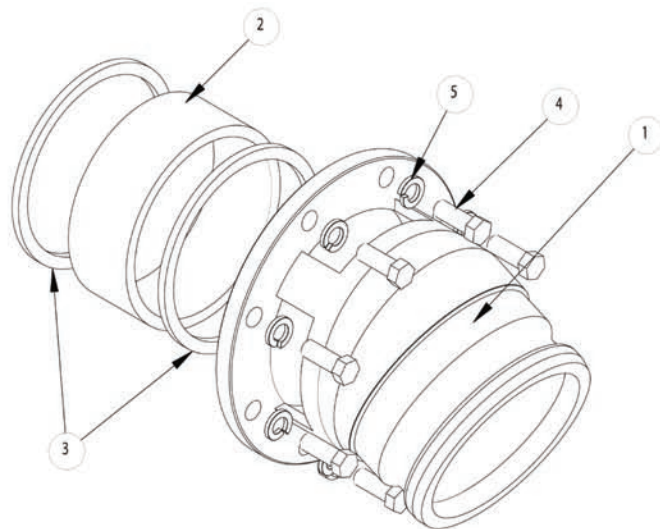
4501, 4502, 4503 and 4504

### Bill of Materials

| Item #          | Description               | Part #               | Qty |
|-----------------|---------------------------|----------------------|-----|
| 1               | body                      | ---                  | 1   |
| 2               | sight glass               | see below            | 2   |
| 3A              | Baylast™ gasket           | <b>4433</b>          | 2   |
| 3B              | FKM gasket                | <b>4426</b>          | 1   |
| 4               | stainless bolt            | <b>4427</b>          | 8   |
| 5               | stainless washer          | <b>WASHER.375-SS</b> | 8   |
| not illustrated | coupler gasket for 4504   | <b>400-G-BF</b>      | 1   |
| not illustrated | cam arm and ring for 4504 | <b>ACAR34BZ</b>      | 2   |
| not illustrated | cam arm pin for 4504      | <b>L519-12</b>       | 2   |

### Repair Kits

| Part #           | Description  | Item # |
|------------------|--|--------|
| <b>4400SGK</b>   | replacement sight glass and Baylast™ gaskets for 4501 and 4504 | 2, 3A  |
| <b>4400SGK-V</b> | replacement sight glass and FKM gaskets for 4501 and 4504      | 2, 3B  |
| <b>4502SGK</b>   | replacement sight glass and Baylast™ gaskets for 4502 and 4503 | 2, 3A  |
| <b>4502SGK-V</b> | replacement sight glass and FKM gaskets for 4502 and 4503      | 2, 3B  |



Petroleum  
Replacement Parts

Product instruction sheets and technical data can be viewed on our website at [dixonbayco.com](http://dixonbayco.com) by selecting the "Resources" menu