

# Fuel Nozzles

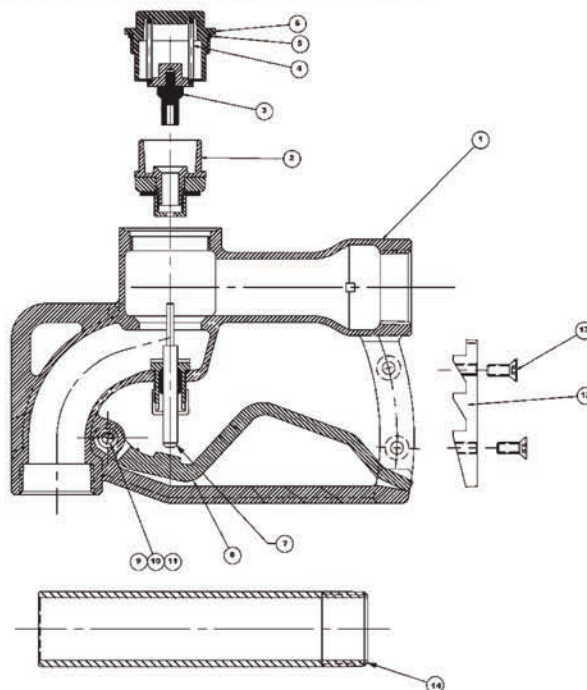
## 112D and 112DNS (1½") Bulk Delivery Nozzles

### Bill of Materials

Item #	Description	Part #	Qty
1	body	---	1
2	main poppet assembly	use kit <b>112DSK</b>	1
3	secondary poppet assembly	use kit <b>112DSK</b>	1
4	poppet spring	<b>SPRG-L368</b>	1
5	Buna cap O-ring	<b>O-RING#132</b>	1
6	bronze cap	<b>112DAL-9</b>	1
7	valve stem assembly	use kit <b>112DSK</b>	1
8	trigger	use kit <b>114/2D-TK</b>	1
9	trigger bushing	<b>114DAL-10</b>	1
10	trigger pin	<b>PIN-L389-SS</b>	1
11	trigger cotter pin	<b>110746</b>	1
12	ratchet plate	<b>340164</b>	1
13	ratchet plate screws	<b>110798</b>	2
14	spout	<b>1125A</b>	1

### Repair Kits

Part #	Description	Includes Item #
<b>112DSK</b>	main poppet, 2nd poppet, cap O-ring, valve stem	2, 3, 5, 7
<b>1125A</b>	1½" aluminum spout	14
<b>1125B</b>	1½" brass spout (optional)	---
<b>114/2D-TK</b>	trigger, pin, cotter pin, bushing	8, 9, 10, 11
<b>114DAL-AV-19</b>	blank plate to replace ratchet plate if ratchet not required (optional)	---



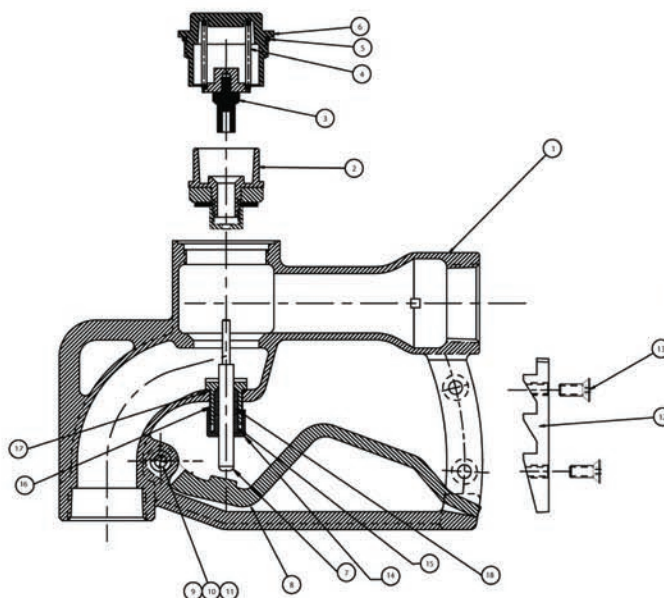
## 114D and 114DNS (1¼") Bulk Delivery Nozzles

### Bill of Materials

Item #	Description	Part #	Qty
1	body	---	1
2	main poppet assembly	use kit <b>114DSK</b>	1
3	secondary poppet assembly	use kit <b>114DSK</b>	1
4	poppet spring	<b>SPRG-L368</b>	1
5	Buna cap O-ring	<b>O-RING-AS-129</b>	1
6	bronze cap	<b>114DAL-2</b>	1
7	valve stem assembly	use kit <b>114DSK</b>	1
8	trigger	use kit <b>114/2D-TK</b>	1
9	trigger bushing	<b>114DAL-10</b>	1
10	trigger pin	<b>PIN-L389-SS</b>	1
11	trigger cotter pin	<b>110746</b>	1
12	ratchet plate	<b>340164</b>	1
13	ratchet plate screws	<b>110798</b>	2
14	aluminum spout	<b>1143A</b>	1
15	sleeve stem packing	<b>SLVL358-1</b>	1
16	valve stem guide & O-ring	use kit <b>114DSK</b>	1
17	valve stem O-ring	<b>O-RING-AS016</b>	1
18	valve stem packing	<b>STEMPACK-L360</b>	2
19	valve stem nut	<b>NUTL357-1</b>	1

### Repair Kits

Part #	Description	Includes Item #
<b>114DSK</b>	main and secondary poppets, cap O-ring, valve stem assembly and packing, sleeve stem packing and nut	2, 3, 5, 7, 15, 16, 17, 18, 19
<b>114/2D-TK</b>	replacement trigger, pin, bushing & cotter pin	8, 9, 10, 11
<b>1143A</b>	replacement aluminum spout	14
<b>1143B</b>	optional brass spout	replaces 14
<b>114DAL-AV-19</b>	optional blank plate to replace ratchet plate, if ratchet not desired	replaces 12

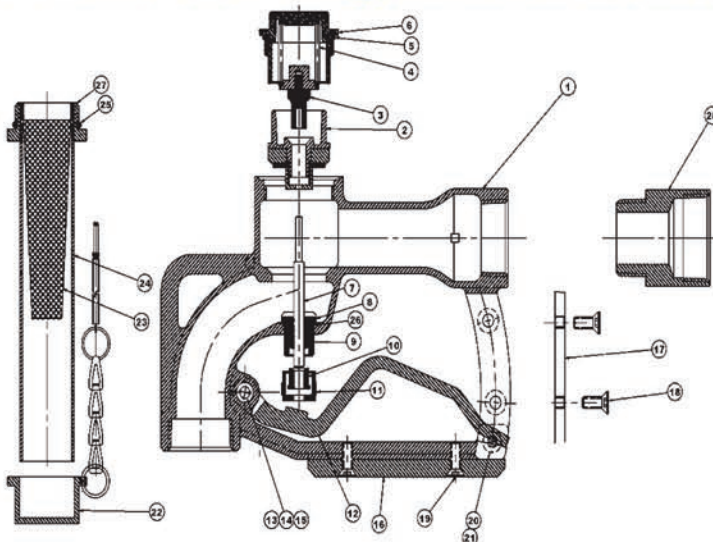


Petroleum Replacement Parts

Product instruction sheets and technical data can be viewed on our website at [dixonbayco.com](http://dixonbayco.com) by selecting the "Resources" menu

# Fuel Nozzles

## 114DAV Over Wing, Aviation Nozzles



### Bill of Materials

Item #	Description	Part #	Qty
1	body	---	1
2	main poppet assembly	use kit <b>114DAV-SK</b>	1
3	second poppet assembly	use kit <b>114DAV-SK</b>	1
4	poppet spring	<b>SPRG-L368</b>	1
5	Buna cap O-ring	<b>O-RING-AS-129</b>	1
6	bronze cap	<b>114DAL-4</b>	1
7	valve stem	<b>114DAL-3</b>	1
8	valve stem guide & O-ring	use kit <b>114DAV-SK</b>	1
9	valve stem packing	<b>STEMPACK-L360</b>	2
10	sleeve stem packing	<b>SLV358-1</b>	1
11	valve stem nut	<b>NUTL357-1</b>	1
12	trigger	use kit <b>114/2D-TK</b>	1
13	trigger bushing	<b>114DAL-10</b>	1
14	trigger pin	<b>PIN-L389-SS</b>	1
15	cotter pin	<b>110746</b>	1
16	base plate	<b>110088</b>	1
17	trigger spacer	<b>114DAL-AV-19</b>	1
18	trigger spacer screws	<b>110798</b>	2
19	base plate screws	<b>100AV-15</b>	2
20	ground screw	<b>407119</b>	1
21	ground screw lock washer	<b>100AV-17</b>	1
22	spout cap	<b>114DAL-AV-22</b>	1
23A	1" spout filter screen (114DAVR)	<b>100AV-12</b>	1
23B	1¼" spout filter screen (114D-AV, 114D-AV-06ASM)	<b>114DAL-AV-20</b>	1
24A	1" spout (114DAVR)	use kit <b>114DAL-AV-25</b>	1
24B	1¼" spout (114D-AV, 114D-AV-06ASM)	use kit <b>114DAL-AV-16</b>	1
25A	1" spout O-ring (114DAVR)	use kit <b>114DAL-AV-25</b>	1
25B	1¼" spout O-ring(114D-AV, 114D-AV-06ASM)	use kit <b>114DAL-AV-16</b>	1
26	valve stem guide O-ring	<b>O-RING-AS016</b>	1
27A	1" spout adapter (114DAVR)	use kit <b>114DAL-AV-25</b>	1
27B	1¼" spout adapter (114D-AV, 114D-AV-06ASM)	use kit <b>114DAL-AV-16</b>	1
28	1½" inlet expander (114D-AV-06ASM)	<b>340165</b>	1

### Repair Kits

Part #	Description	Includes Item #
<b>114/2D-TK</b>	trigger, bushing, pin and cotter pin	12, 13, 14, 15
<b>114DAV-SK</b>	main and secondary poppet assemblies, cap O-ring and valve stem assembly	2, 3, 5, 8
<b>114DAL-AV-25</b>	1" spout assembly (114DAVR)	24A, 25A, 27A
<b>114DAL-AV-16</b>	1¼" spout assembly (114D-AV, 114D-AV-06ASM)	24B, 25B, 27B

Product instruction sheets and technical data can be viewed on our website at [dixonbayco.com](http://dixonbayco.com) by selecting the "Resources" menu

# Fuel Nozzles

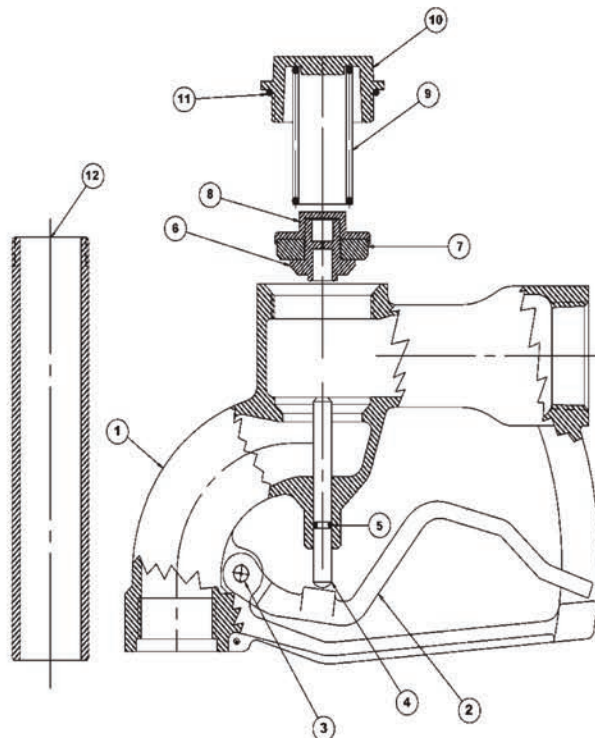
## 1250-94 Series Gravity Nozzles

### Bill of Materials

Item #	Description	Part #	Qty
1	body	---	1
2	trigger	use kit <b>1250TK</b>	1
3	trigger pin	use kit <b>1250TK</b>	1
4	valve stem plunger	use kit <b>1250SK</b>	1
5	plunger O-ring	<b>500-7A2</b>	1
6	valve base	use kit <b>1250SK</b>	1
7	valve seal	use kit <b>1250SK</b>	1
8	valve plate	use kit <b>1250SK</b>	1
9	valve spring	<b>SPRG-L368</b>	1
10	aluminum cap	<b>1250-2</b>	1
11	Buna O-ring cap	<b>O-RING#132</b>	1
12	aluminum spout	<b>1250-3</b>	1

### Repair Kits

Part #	Description	Includes Item #
<b>1250TK</b>	trigger, pin	2, 3
<b>1250SK</b>	plunger, O-rings, valve seal, valve base, valve plate	4, 5, 6, 7, 8, 11



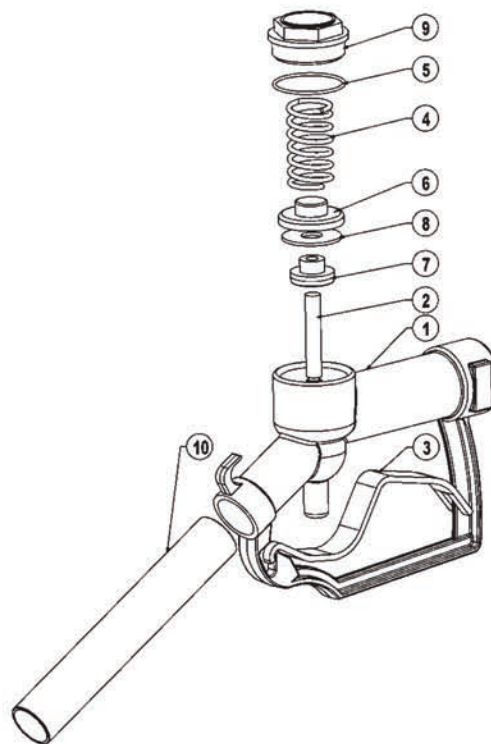
## 900 Series Utility Nozzles

### Bill of Materials

Item #	Description	Part #	Qty
1	body	---	1
2	plunger	use kit <b>900SK</b>	1
3	trigger	<b>900TK</b>	1
4	valve spring	<b>SPRG-972</b>	1
5	cap O-ring	<b>112099</b>	1
6	holder valve gasket	use kit <b>900SK</b>	1
7	holder button gasket	use kit <b>900SK</b>	1
8	valve seal	use kit <b>900SK</b>	1
9	cap	<b>875-3</b>	1
10A	1" spout	<b>875-4</b>	1
10B	3/4" spout	<b>234-80-4</b>	1
10C	1" bent spout	<b>875-5</b>	1
10D	3/4" bent spout	<b>234-80-5</b>	1
not illustrated	3/4" FNPT inlet reducer	<b>900RB</b>	1

### Repair Kits

Part #	Description	Includes Item #
<b>900TK</b>	trigger	3
<b>900SK</b>	plunger assembly, valve assembly, cap O-ring	2, 4, 5, 6, 7, 8, 9



Product instruction sheets and technical data can be viewed on our website at [dixonbayco.com](http://dixonbayco.com) by selecting the "Resources" menu