

Dry Disconnects

Dry Disconnect Bayonet Style Adapters

2" and 3" Adapters

2" Stainless Adapter

Bill of Materials

BA3x-200

Item #	Description	Part #	Qty
1	stainless body	40053SS	1
2	brass poppet	40054BR	1
3	stainless deflector	40055SS	1
4	stainless spring	40056SS	1
5A	Buna O-ring (for BA31-200)	BA31-200RK1	1
5B	FKM O-ring (for BA32-200)	BA32-200RK1	1

3" Aluminum Adapter

Bill of Materials

BA6x-300

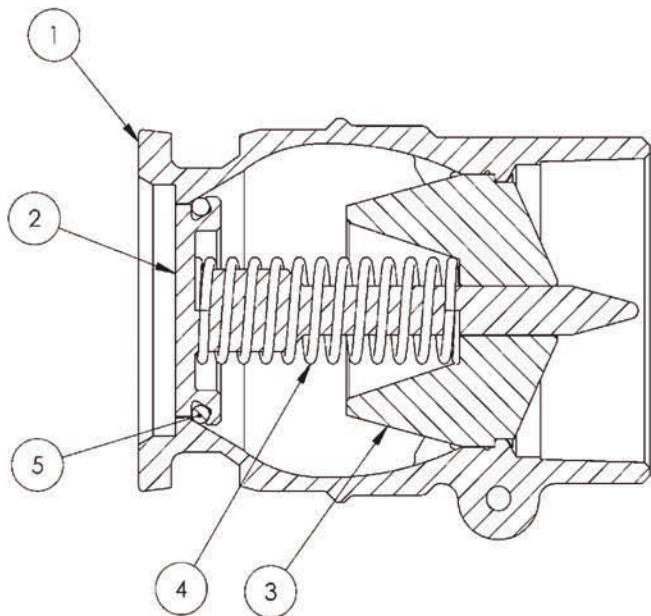
Item #	Description	Part #	Qty
1	aluminum body	40278AL	1
2	aluminum poppet	40279AL	1
3	aluminum deflector	40280AL	1
4	SS spring	40281SS	1
5A	Buna O-ring (for BA61-300)	BA31-300RK1	1
5B	FKM O-ring (for BA62-300)	BA32-300RK1	1

3" Bronze Adapter

Bill of Materials

BA3x-300

Item #	Description	Part #	Qty
1	bronze body	40278BR	1
2	bronze poppet	40279BR	1
3	bronze deflector	40280BR	1
4	SS spring	40281SS	1
5A	Buna O-ring (for BA31-300)	BA31-300RK1	1
5B	FKM O-ring (for BA32-300)	BA32-300RK1	1



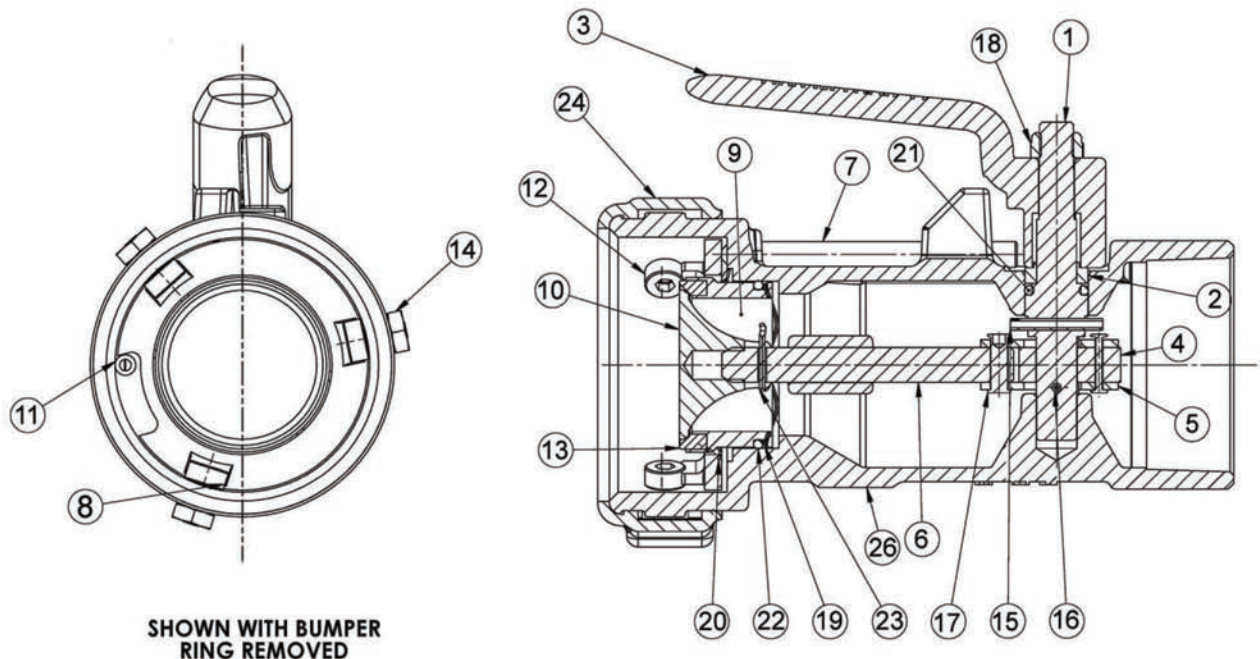
Petroleum Replacement Parts

Product instruction sheets and technical data can be viewed on our website at dixonbayco.com by selecting the "Resources" menu

Dry Disconnects

Dry Disconnect Bayonet Style Couplers

2" Straight Non-Swiveling Couplers



2" Stainless Coupler Bill of Materials BC6x-200

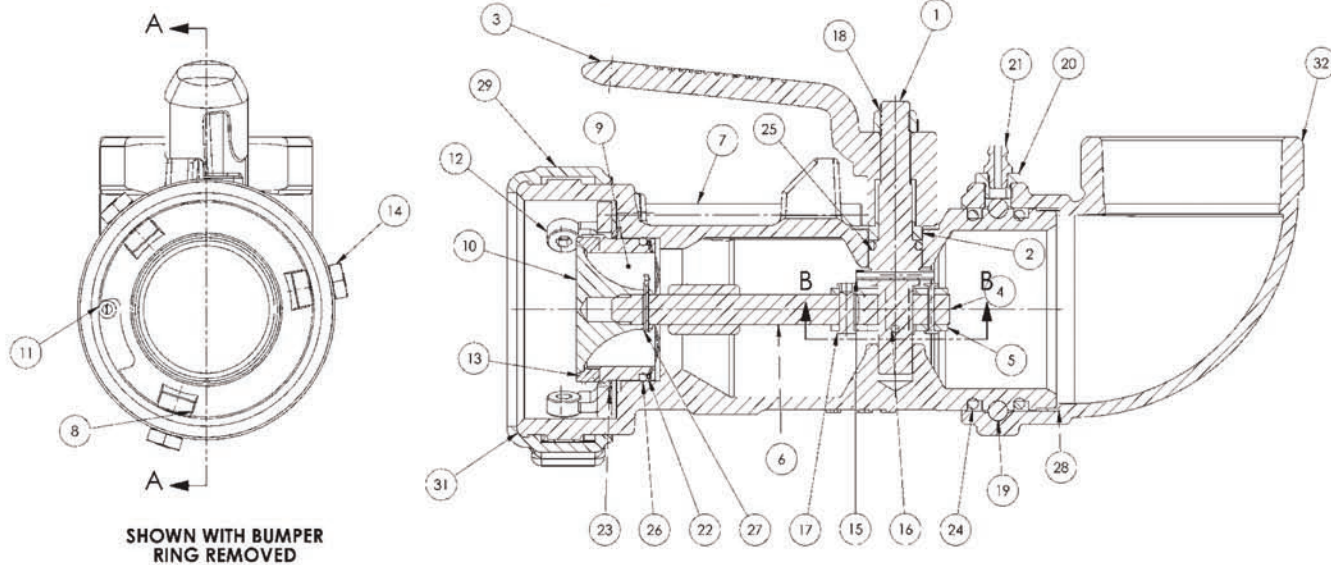
Item #	Description	Part #	Qty
1	lever shaft	40138SS	1
2	lever shaft follower	40139SS	1
3	lever	40140SS	1
4	poppet link arm	40141SS	1
5	bent link	40142SS	2
6	stem	40143SS	1
7	interlocking pin	40144SS	1
8	lock ring	40145SS	1
9	nose piece	40146HC	1
10	poppet	40147CA	1
11	coiled pin	40148SS	1
12	bayonet stud	40149SS	3
13A	nose seal Buna (for BC61-200)	40150BN	1
13B	nose seal FKM (for BC62-200)	40150VI	1
14	jam nut	40151SS	3
15	spring pin	40152SS	1
16	coiled pin	40153SS	1
17	rivet	40154SS	2
18	lock nut	40155SS	1
19	wave spring	40159SS	2
20	wave spring washer	40160SS	1
21A	shaft O-ring Buna (for BC61-200)	40162BN	1
21B	shaft O-ring FKM (for BC62-200)	40162VI	1
22A	poppet O-ring Buna (for BC61-200)	40163BN	1
22B	poppet O-ring FKM (for BC62-200)	40163VI	1
23	cotter pin	40164SS	1
24	bumper ring	40166VY	1
25	label	40167AL	1
26	body	--	1

Product instruction sheets and technical data can be viewed on our website at dixonbayco.com by selecting the "Resources" menu

Dry Disconnects

Dry Disconnect Bayonet Style Couplers

2" 90° Straight Swivel Couplers



SHOWN WITH BUMPER RING REMOVED

The 90° swivel coupler (BS series) is illustrated. The straight swivel coupler (BSS series) uses the same components, except it does not have #21A grease nipple, it utilizes a #21B set screw plug.

Petroleum Replacement Parts

Bill of Materials BS6x-200 and BSS6x-200

Item #	Description	Part #	Qty
1	lever shaft	40138SS	1
2	follower	40139SS	1
3	lever (handle)	40140SS	1
4	link	40141SS	1
5	belt link	40142SS	2
6	stem	40143SS	1
7	interlocking pin	40144SS	1
8	lock rink	40145SS	1
9	nose piece	40146HC	1
10	poppet	40147CA	1
11	coiled pin	40148SS	1
12	bayonet stud	40149SS	3
13A	Buna nose seal (BS61-200)	40150BN	1
13B	FKM nose seal (BS62-200)	40150VI	1
14	jam nut	40151SS	3
15	spring pin	40152SS	1
16	grooved pin	40153SS	1
17	rivet	40154SS	2
18	lock nut	40155SS	1

Bill of Materials, continued

Item #	Description	Part #	Qty
19	ball bearing	40156SS	32
20	ball plug	40157BR	1
21A	grease fitting (BS6x-200)	40158ST	1
21B	set screw (BSS6x-200)	40178SS	1
22	wave spring	40159SS	2
23	wave spring washer	40160SS	1
24A	Buna swivel O-ring (BS & BSS61-200)	40161BN	2
24B	FKM swivel O-ring (BS & BSS62-200)	40161VI	2
25A	Buna stem O-ring (BS & BSS61-200)	40162BN	1
25B	FKM stem O-ring (BS & BSS62-200)	40162VI	1
26A	Buna nose O-ring (BS & BSS61-200)	40163BN	1
26B	FKM nose O-ring (BS & BSS62-200)	40163VI	1
27	cotter pin	40164SS	1
28	bearing strip	40165NY	1
29	bumper ring	40166VY	1
30	label	40161AL	1
31	main body	---	1
32	swivel body	---	1

Repair Kits

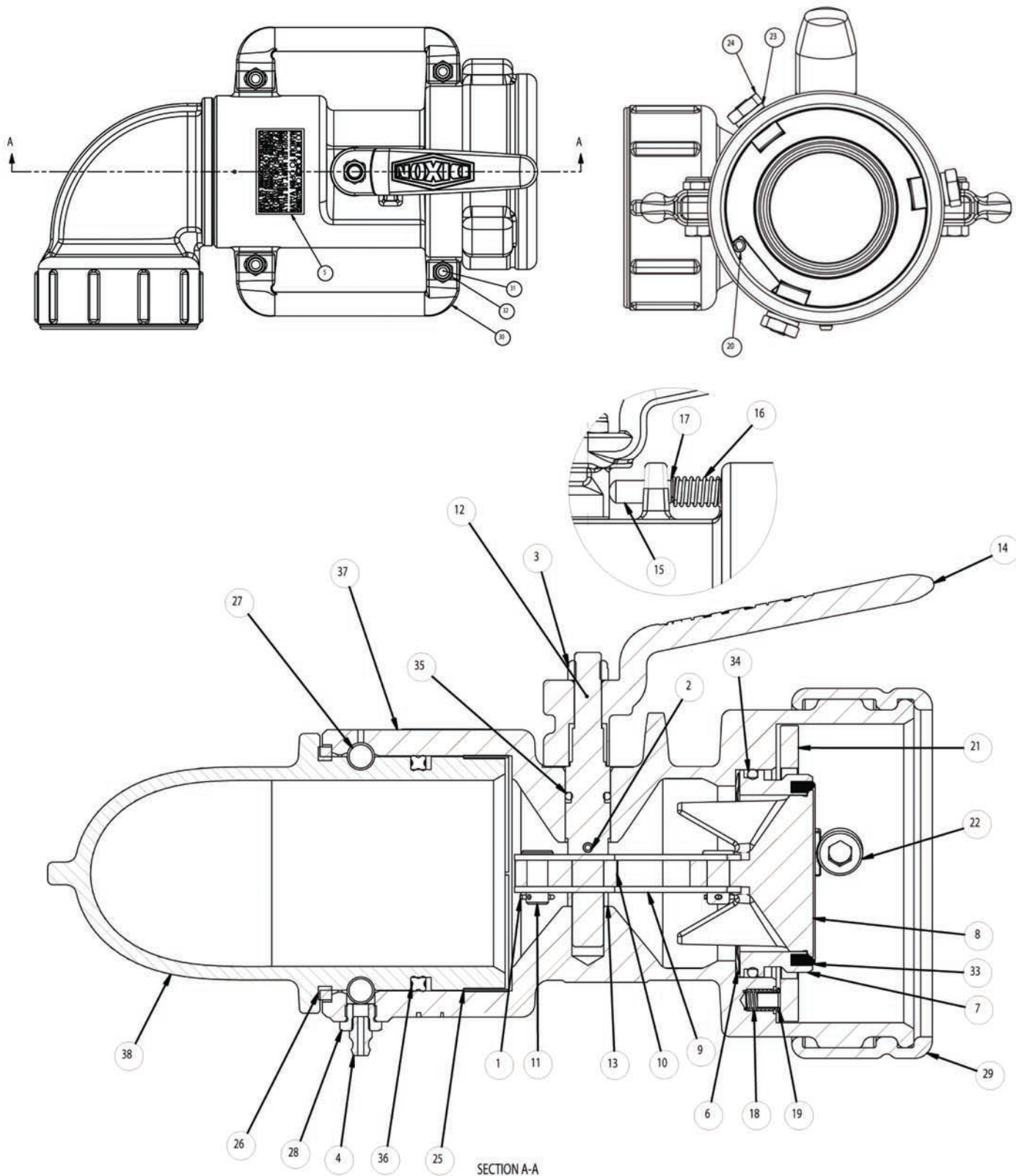
Part #	Description	Includes Item #
BS61-200RK1	Seal repair kit, Buna nose seal, spring pin, grooved pin, Buna swivel O-rings, Buna stem O-ring, Buna nose body O-ring, cotter pin, bearing strip & bumper ring	13A, 15, 16, 24A, 25A, 26A, 27, 28, 29
BS62-200RK1	Seal repair kit, FKM nose seal, spring pin, grooved pin, FKM swivel O-rings, FKM stem O-ring, FKM nose body O-ring, cotter pin, bearing strip & bumper ring	13B, 15, 16, 24B, 25B, 26B, 27, 28, 29
BS61-200RK2	Swivel seal repair kit, Buna swivel O-rings & bearing strip	24A, 28
BS62-200RK2	Swivel seal repair kit, FKM swivel O-rings & bearing strip	24B, 28

Product instruction sheets and technical data can be viewed on our website at dixonbayco.com by selecting the "Resources" menu

Dry Disconnects

BA/BS/BSS Series Bayonet Style Dry Disconnects

3" 90° and Straight Swivel Couplers



Petroleum
Replacement Parts

Product instruction sheets and technical data can be viewed on our website at dixonbayco.com by selecting the "Resources" menu

Dry Disconnects

BA/BS/BSS Series Bayonet Style Dry Disconnects

3" 90° and Straight Swivel Couplers

The 90° swivel coupler (BS series) is illustrated on page 25.
The straight swivel coupler (BSS series) uses the same components.

3" swivel aluminum coupler

Bill of Materials

BS6x-300 and BSS6x-300

Item #	Description	Part #	Qty
1	cotter pin	40088SS	2
2	spring pin	40152SS	1
3	lock nut	40155SS	1
4	grease fitting	40158ST	1
5	label	40167AL	1
6	wave spring	40246SS	1
7	nose piece	40247HC	1
8	poppet	40248CA	1
9	bent link	40249SS	2
10	drive link	40250SS	1
11	clevis pin	40251SS	2
12	stem	40252SS	1
13	stem spacer	40253AL	1
14	lever (handle)	40254SS	1
15	interlock pin	40255SS	1
16	compression spring	40256SS	1
17	retaining ring	40257ST	1
18	compression spring	40258SS	3
19	eyelet	40259BR	3
20	spring pin	40260SS	1
21	lock ring	40261SS	1
22	bayonet stud	40262SS	3
23	lock washer	40263SS	3
24	nut	40264SS	3
25	bearing strip	40265NY	1
26	dust seal	40266FL	1
27	ball bearings	40267SS	27
28	ball plug	40268BR	1
29	bumper ring	40269VY	1
30	grip handle	40270SS	2
31	bolt	40271SS	4
32	lock nut	40272SS	4
33A	Buna nose seal	40273BN	1
33B	FKM nose seal	40273VI	1
34A	Buna nose body O-ring	40274BN	1
34B	FKM nose body O-ring	40274VI	2
35A	Buna stem O-ring	40275BN	1
35B	FKM stem O-ring	40275VI	1
36A	Buna quad ring	40276BN	1
36B	FKM quad ring	40276VI	1
37	main body	---	1
38	swivel body	---	1

Repair Kits

Part #	Description	Includes Item #
BS61-300RK1	seal repair kit, Buna nose seal, spring pin, Buna swivel O-rings, Buna stem O-ring, Buna nose body O-ring, cotter pin, bearing strip and bumper ring	1, 2, 25, 29, 33A, 34A, 35A
BS62-300RK1	seal repair kit, FKM nose seal, spring pin, FKM swivel O-rings, FKM stem O-ring, FKM nose body O-ring, cotter pin, bearing strip and bumper ring	1, 2, 25, 29, 33B, 34B, 35B
BS61-300RK2	swivel seal repair kit, Buna swivel O-rings and bearing strip	25, 26, 36A
BS62-300RK2	swivel seal repair kit, FKM swivel O-rings and bearing strip	25, 26, 36B

Petroleum Replacement Parts

Product instruction sheets and technical data can be viewed on our website at dixonbayco.com by selecting the "Resources" menu