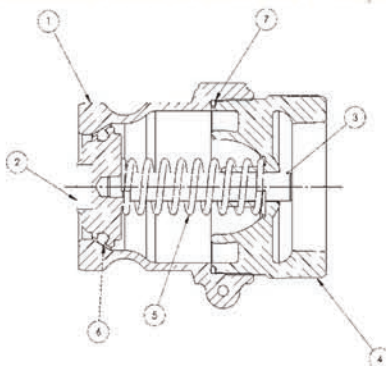


Dry Disconnects

DBA Cam and Groove Dry Disconnects

Aluminum and Stainless Adapters



1½" aluminum adapter (DBA6x), zinc adapter (DBA1x)

Bill of Materials

DBA1x-150, DBA6x-150 & DBA1x-1520

Item #	Description	Part #	Qty
1A	aluminum adapter body (DBA6x-150)	40129AL	1
1B	zinc adapter body (DBA1x-150 & DBA1x-1520)	40129ZA	1
2	poppet	40130AL	1
3A	stem (DBA1x-150 & DBA1x-1520)	40133BR	1
3B	stem (for DBA6x-150)	40133SS-001	1
4A	thread end body	40131AL	1
4B	thread end body (for DBA1x1520)	40303AL	1
5	poppet spring	40132SS	1
6A	poppet O-ring Buna	use kit DBAK1-150	1
6B	poppet O-ring FKM	use kit DBAK2-150	1
6C	poppet O-ring PTFE/Silicone	use kit DBAK3-150	1
6D	poppet O-ring EPDM	use kit DBAK4-150	1
6E	poppet O-ring Kalrez®	use kit DBAK6-150	1
6F	poppet O-ring PTFE/FKM	use kit DBAK7-150	1
7A	body O-ring Buna	use kit DBAK1-150	1
7B	body O-ring FKM	use kit DBAK2-150	1
7C	body O-ring PTFE	use kit DBAK3-150, DBAK6-150 or DBAK7-150	1
7D	body O-ring EPDM	use kit DBAK4-150	1

1½" stainless adapter,

Bill of Materials DBA7x-150

Item #	Description	Part #	Qty
1	stainless adapter body	40129SS	1
2	poppet	40130SS	1
3	stem	40133SS-002	1
4	thread end body	40131SS	1
5	poppet spring	40132SS	1
6A	poppet O-ring Buna	use kit DBAK1-150	1
6B	poppet O-ring FKM	use kit DBAK2-150	1
6C	poppet O-ring PTFE/Silicone	use kit DBAK3-150	1
6D	poppet O-ring EPDM	use kit DBAK4-150	1
6E	poppet O-ring Kalrez®	use kit DBAK6-150	1
6F	poppet O-ring PTFE/FKM	use kit DBAK7-150	1
7A	body O-ring Buna	use kit DBAK1-150	1
7B	body O-ring FKM	use kit DBAK2-150	1
7C	body O-ring PTFE	use kit DBAK3-150, DBAK6-150 or DBAK7-150	1
7D	body O-ring EPDM	use kit DBAK4-150	1

2" aluminum adapter (DBA6x), zinc adapter (DBA1x)

Bill of Materials

DBA1x-200, DBA6x-200

Item #	Description	Part #	Qty
1A	aluminum adapter body (DBA6x-200)	40001AL	1
1B	zinc adapter Body (DBA1x-200)	40001ZA	1
2	poppet	40002AL	1
3A	stem (for DBA1x-200)	40005BR	1
3B	stem (for DBA6x-200)	40005SS-001	1
4	thread end body	40003AL	1
5	poppet spring	40004SS	1
6A	poppet O-ring Buna	use kit DBAK1-200	1
6B	poppet O-ring FKM	use kit DBAK2-200	1
6C	poppet O-ring PTFE/Silicone	use kit DBAK3-200	1
6D	poppet O-ring EPDM	use kit DBAK4-200	1
6E	poppet O-ring Kalrez®	use kit DBAK6-200	1
6F	poppet O-ring PTFE/FKM	use kit DBAK7-200	1
7A	body O-ring Buna	use kit DBAK1-200	1
7B	body O-ring FKM	use kit DBAK2-200	1
7C	body O-ring PTFE	use kit DBAK3-200, DBAK6-200 or DBAK7-200	1
7D	body O-ring EPDM	use kit DBAK4-200	1

2" stainless adapter,

Bill of Materials DBA7x-200

Item #	Description	Part #	Qty
1	stainless adapter body	40001SS	1
2	poppet	40002SS	1
3	stem	40005SS-002	1
4	thread end body	40003SS	1
5	poppet spring	40004SS	1
6A	poppet O-ring Buna®	use kit DBAK1-200	1
6B	poppet O-ring FKM	use kit DBAK2-200	1
6C	poppet O-ring PTFE/Silicone	use kit DBAK3-200	1
6D	poppet O-ring EPDM	use kit DBAK4-200	1
6E	poppet O-ring Kalrez®	use kit DBAK6-200	1
6F	poppet O-ring PTFE/FKM	use kit DBAK7-200	1
7A	body O-ring Buna	use kit DBAK1-200	1
7B	body O-ring FKM	use kit DBAK2-200	1
7C	body O-ring PTFE	use kit DBAK3-200, DBAK6-200 or DBAK7-200	1
7D	body O-ring EPDM	use kit DBAK4-200	1

Petroleum Replacement Parts

Product instruction sheets and technical data can be viewed on our website at dixonbayco.com by selecting the "Resources" menu

Dry Disconnects

DBA Cam and Groove Dry Disconnects

Aluminum and Stainless Adapters

3" aluminum adapter(DBA6x), zinc adapter(DBA1x)

Bill of Materials

DBA1x-300, DBA6x-300

Item #	Description	Part #	Qty
1	aluminum adapter body	40180AL	1
1B	zinc adapter body	40180ZA	1
2	poppet	40182AL	1
3	stem	40183BR	1
4	thread end body	40181AL	1
5	poppet spring	40184SS	1
6A	poppet O-ring Buna	use kit DBAK1-300	1
6B	poppet O-ring FKM	use kit DBAK2-300	1
6C	poppet O-ring PTFE/Silicone	use kit DBAK3-300	1
6D	poppet O-ring EPDM	use kit DBAK4-300	1
6E	poppet O-ring Kalrez®	use kit DBAK6-300	1
6F	poppet O-ring PTFE/FKM	use kit DBAK7-300	1
6G	poppet O-ring FKM "B"	use kit DBAK9-300	1
7A	body O-ring Buna	use kit DBAK1-300	1
7B	body O-ring FKM	use kit DBAK2-300	1
		use kit DBAK3-300, DBAK6-300 or DBAK7-300	1
7C	body O-ring PTFE		
7D	body O-ring EPDM	use kit DBAK4-300	1
7E	body O-ring FKM-B	use kit DBAK9-300	1

3" stainless adapter

Bill of Materials

DBA7x-300

Item #	Description	Part #	Qty
1	stainless adapter body	40180SS	1
2	poppet	40182SS	1
3	stem	40183SS	1
4	thread end body	40181SS	1
5	poppet spring	40184SS	1
6A	poppet O-ring Buna	use kit DBAK1-300	1
6B	poppet O-ring FKM	use kit DBAK2-300	1
6C	poppet O-ring PTFE/Silicone®	use kit DBAK3-300	1
6D	poppet O-ring EPDM	use kit DBAK4-300	1
6E	poppet O-ring Kalrez®	use kit DBAK6-300	1
6F	poppet O-ring PTFE/FKM	use kit DBAK7-300	1
6G	Poppet O-ring FKM-B	use kit DBAK9-300	1
7A	body O-ring Buna	use kit DBAK1-300	1
7B	body O-ring FKM	use kit DBAK2-300	1
7C	body O-ring PTFE	use kit DBAK3-300	1
7D	body O-ring EPDM	use kit DBAK4-300	1
7E	body O-ring FKM-B	use kit DBAK9-300	1

Petroleum Replacement Parts

Repair Kits

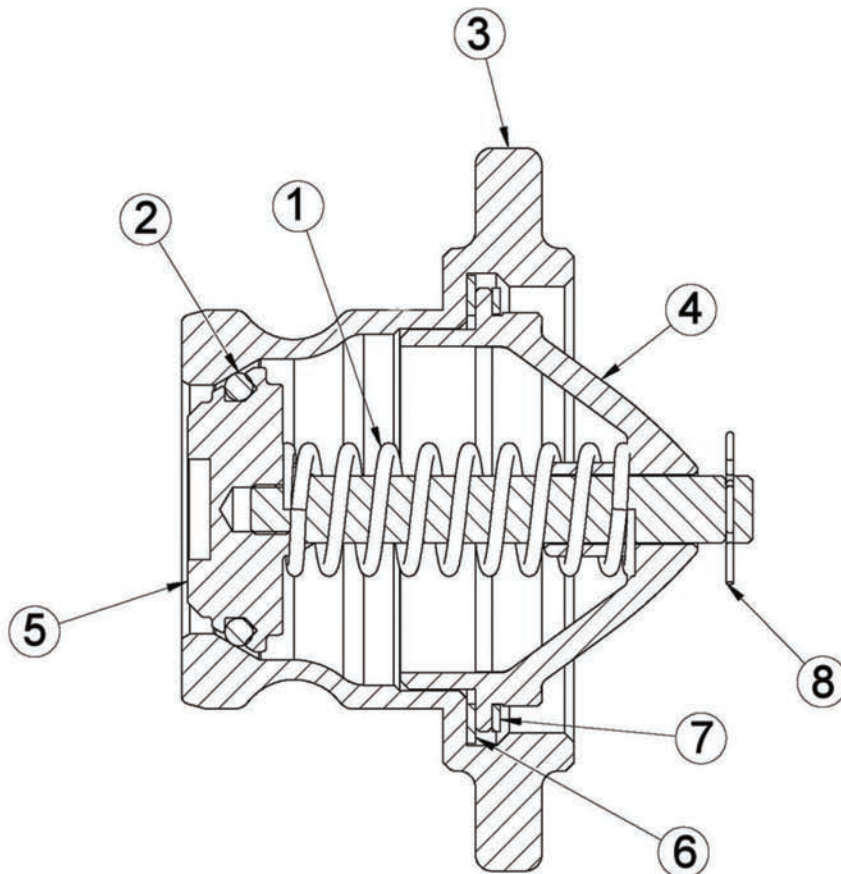
Part #	Description	Includes Item #
DBAK1-150	1½" replacement Buna seals	6A, 7A
DBAK2-150	1½" replacement FKM seals®	6B, 7B
DBAK3-150	1½" replacement PTFE/Silicone® seals	6C, 7C
DBAK4-150	1½" replacement EPDM seals	6D, 7D
DBAK6-150	1½" replacement PTFE/Kalrez® seals	6E, 7C
DBAK7-150	1½" replacement PTFE/FKM seals®	6F, 7C
DBAK1-200	2" replacement Buna seals	6A, 7A
DBAK2-200	2" replacement FKM seals	6B, 7B
DBAK3-200	2" replacement PTFE/Silicone® seals	6C, 7C
DBAK4-200	2" replacement EPDM seals	6D, 7D
DBAK6-200	2" replacement PTFE/Kalrez® seals	6E, 7C
DBAK7-200	2" replacement PTFE/FKM seals	6F, 7C
DBAK1-300	3" replacement Buna seals	6A, 7A
DBAK2-300	3" replacement FKM seals	6B, 7B
DBAK3-300	3" replacement PTFE/Silicone® seals	6C, 7C
DBAK4-300	3" replacement EPDM seals	6D, 7D
DBAK6-300	3" replacement PTFE/Kalrez® seals	6E, 7C
DBAK7-300	3" replacement PTFE/FKM seals	6F, 7C
DBAK9-300	3" replacement FKM-B seals	6G, 7E

Product instruction sheets and technical data can be viewed on our website at dixonbayco.com by selecting the "Resources" menu

Dry Disconnects

DBVA Cam and Groove Dry Disconnects

Stainless Vapor Adapter



Petroleum Replacement Parts

**2" X 3" stainless vapor adapter
Bill of Materials DBVA73-200**

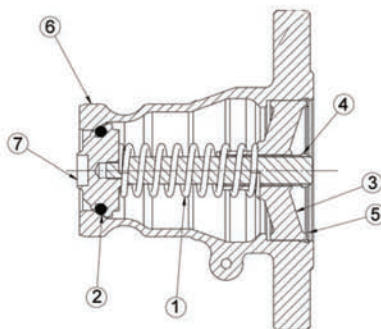
Item #	Description	Part #	Qty
1	spring	40004SS	1
2	poppet O-ring PTFE/Silicone	40006TS	1
3	adapter body	--	1
4	bridge	40175SS	1
5	poppet assembly	40187SSSS	1
6	large body gasket	40190TF	1
7	small body gasket	40191TF	1
8	poppet clip	40192SS	1

Product instruction sheets and technical data can be viewed on our website at dixonbayco.com by selecting the "Resources" menu

Dry Disconnects

DBAF Cam and Groove Dry Disconnects

Stainless Flange Adapter



2" flange x 1½" stainless adapter Bill of Materials DBAF7x-1520

Item #	Description	Part #	Qty
1	spring	40004SS	1
2A	poppet O-ring Buna	40134BN	1
2B	poppet O-ring FKM	40134VI	1
2C	poppet O-ring PTFE/Silicone®	40134TS	1
2D	poppet O-ring EPDM	40134EP	1
2E	poppet O-ring Kalrez®	40134KR	1
3	bridge	40341SS	1
4	bearing	40343TF	1
5	retaining ring	40344SS	1
6	body	---	1
7	poppet assembly	40347SSSS	1

2" flange x 2" stainless adapter Bill of Materials DBAF7x-200

Item #	Description	Part #	Qty
1	spring	40004SS	1
2A	poppet O-ring Buna	40006BN	1
2B	poppet O-ring FKM	40006VI	1
2C	poppet O-ring PTFE/Silicone®	40006TS	1
2D	poppet O-ring EPDM	40006EP	1
2E	poppet O-ring Kalrez®	40006KR	1
3	bridge	40341SS	1
4	bearing	40343TF	1
5	retaining ring	40344SS	1
6	body	---	1
7	poppet assembly	40342SSSS	1

3" flange x 3" stainless adapter Bill of Materials DBAF7x-300

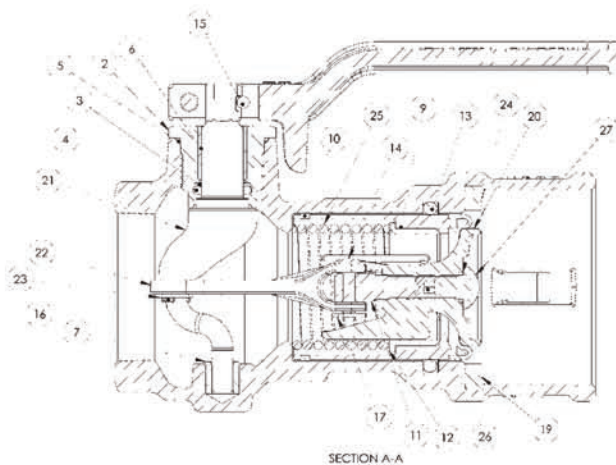
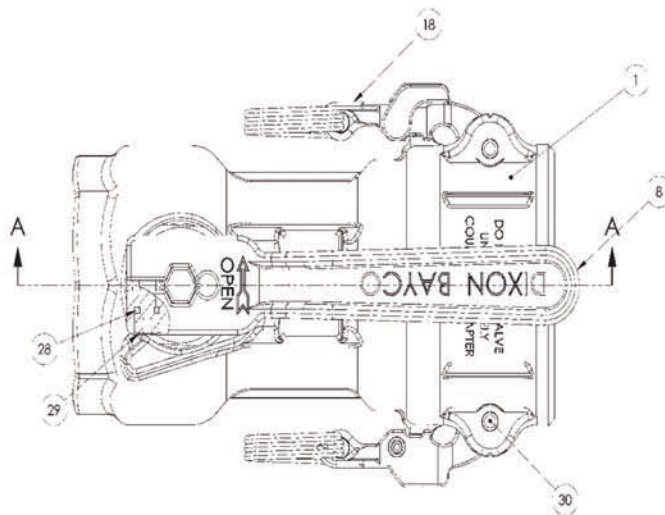
Item #	Description	Part #	Qty
1	spring	40184SS	1
2A	poppet O-ring Buna	40185BN	1
2B	poppet O-ring FKM	40185VI	1
2C	poppet O-ring PTFE/Silicone®	40185TS	1
2D	poppet O-ring EPDM	40185EP	1
2E	poppet O-ring Kalrez®	40185KR	1
3	bridge	40360SS	1
4	bearing	40362TF	1
5	retaining ring	40361SS	1
6	body	---	1
7	poppet assembly	40359SSSS	1

Petroleum Replacement Parts

Dry Disconnects

DBC Cam and Groove Dry Disconnects

Aluminum and Stainless Couplers



Bill of materials and repair kits can be found on the following pages:

- DBC6x-150 see page 100
- DBC7x-150 see page 101
- DBC6x-200 see page 102
- DBC7x-200 see page 103
- DBC6x-300 see page 105
- DBC7x-300 see page 106
- DBS6x-200 see page 108

Product instruction sheets and technical data can be viewed on our website at dixonbayco.com by selecting the "Resources" menu

Dry Disconnects

DBC Cam and Groove Dry Disconnects

1½" Aluminum Couplers

1½" aluminum coupler

Bill of Materials

DBC6x-150

Item #	Description	Part #	Qty
1	body	---	1
2	stuffing box	40074SS	1
3	back up ring	40075TF	1
4A	crank shaft O-ring Buna (for DBC61-150)	40076BN	1
4B	crank shaft O-ring FKM (for DBC62-150)	40076VI	1
4C	crank shaft O-ring Kalrez® (for DBC63-150)	40076KR	1
4D	crank shaft O-ring EPDM (for DBC63-150, DBC66-150 & DBC67-150)	40076EP	1
5	stuffing box PTFE O-ring	40077TF	1
6	large crank shaft bearing	40078FG	1
7	small crank shaft bearing	40079SS	1
8	lever (handle)	40080SS	1
9A	seal cylinder (for DBC61-150)	40117ALBN	1
9B	seal cylinder (for DBC62-150)	40117ALVI	1
9C	seal cylinder (for DBC63-150, DBC66-150 & DBC67-150)	40169SS	1
9D	seal cylinder (for DBC64-150)	40117ALEP	1
10	PTFE button	40082TF	6
11	yoke	40118SS	1
12	PTFE bushing	40119TF	1
13A	body O-ring Buna (for DBC61-150)	40120BN	1
13B	body O-ring FKM (for DBC62-150)	40120VI	1
13C	body O-ring PTFE/Silicone®- (for DBC63-150)	40120TS	1
13D	body O-ring EPDM (for DBC64-150)	40120EP	1
13E	body O-ring Kalrez® (for DBC66-150)	40120KR	1
13F	body O-ring PTFE/FKM (for DBC67-150)	40120TV	1
14	link rivet	40086SS	1
15	groove pin	40087SS	1
16	crank shaft cotter pin	40088SS	1
17	link cotter pin	40088SS	1
18	EZ Boss lock cam arm	40089SS	2
19A	cam gasket Buna (for DBC61-150)	200-G-BU	1
19B	cam gasket FKM (for DBC62-150)	200-G-VI	1
19C	cam gasket PTFE/Silicone® (for DBC63-150)	200-G-TES	1
19D	cam gasket EPR (for DBC64-150)	200-G-EPR	1
19E	cam gasket PTFE/FKM (for DBC66-150 & DBC67-150)	200-G-TFVI	1
20	poppet	40114SS	1
21	crank shaft	40115SS	1
22	link arm	40116SS	1
23	link washer	40094SS	1
24	poppet screw PTFE O-ring	40122TF	1
25	cylinder spring	DBCxx-150RK8	1
26	set screw	40124SS	1
27	poppet screw (round head)	40125SS	1
28	lock washer	40099SS	1
29	socket head cap screw	40100SS	1
30	cam arm spring pin	40101SS	2
31	nose seal (for DBC63-150, DBC66-150 & DBC67-150)	40171TF	1

Repair Kits

Part #	Description	Includes Item #
DBCx1-150RK1 (Buna-N)	replacement seal kit, Buna crank shaft O-ring, PTFE stuffing box O-ring, Buna body O-ring, Buna cam gasket, PTFE O-ring (for DBC61-150)	4A, 5, 13A, 19A, 24
DBCx2-150RK1 (FKM)	replacement seal kit, FKM crank shaft O-ring, PTFE stuffing box O-ring, FKM body O-ring, FKM cam gasket, PTFE O-ring (for DBC62-150)	4B, 5, 13B, 19B, 24
DBCx3-150RK1 (PTFE and Kalrez®)	replacement seal kit, Kalrez® crank shaft O-ring, PTFE stuffing box O-ring, PTFE/Silicone® body O-ring, PTFE/Silicone® cam gasket, PTFE O-ring (for DBC63-150)	4C, 5, 13C, 19C, 24
DBCx4-150RK1 (EPDM)	replacement seal kit, EPDM crank shaft O-ring, PTFE stuffing box O-ring, EPDM body O-ring, EPR cam gasket, PTFE O-ring (for DBC64-150)	4D, 5, 13D, 19D, 24
DBCx6-150RK1 (Kalrez® & PTFE/FKM)	replacement seal kit, Kalrez® crank shaft O-ring, PTFE stuffing box O-ring, Kalrez® body O-ring, PTFE/FKM cam gasket, PTFE O-ring (for DBC66-150)	4C, 5, 13E, 19E, 24
DBCx7-150RK1	replacement seal kit, Kalrez® crank shaft O-ring, PTFE stuffing box O-ring, PTFE/FKM body O-ring, PTFE/FKM cam gasket, PTFE O-ring (for DBC67-150)	4C, 5, 13F, 19E, 24
DBC61-150RK2	replacement Buna seal cylinder, PTFE buttons and PTFE bushing (for DBC61-150)	9A, 10, 12
DBC62-150RK2	replacement FKM seal cylinder, PTFE buttons and PTFE bushing (for DBC62-150)	9B, 10, 12
DBCx3-150RK2	replacement PTFE nose seal, PTFE buttons and PTFE bushing (for DBC63-150, DBC66-150 & DBC67-150)	10, 12, 31
DBC64-150RK2	replacement EPDM seal cylinder, PTFE buttons and PTFE bushing (for DBC64-150)	9D, 10, 12
DBCxx-150RK4	replacement link kit, link rivet, cotter pins, link washer, link arm and yoke (for all 1½" aluminum)	11, 14, 16, 17, 22, 23
DBCxx-150RK5	replacement stuffing box kit, stuffing box, PTFE O-ring and large crank shaft bearing (for all 1½" aluminum)	2, 5, 6
DBCxx-150RK6	replacement lever (handle) kit, lever, groove pin, lock washer and socket head cap screw (for all 1½" aluminum)	8, 15, 28, 29
DBCxx-150RK7	replacement crank shaft kit, crank shaft, cotter pin and washer (for all 1½" aluminum)	16, 21, 23
DBCxx-150RK8	main cylinder spring	25
DBCxx-150RK9	replacement poppet kit, poppet, round head screw, set screw and PTFE washer (for all 1½" aluminum)	20, 24, 26, 27
DBCL-200	optional add on padlockable lever kit, handle (for all 1½")	not illustrated

Product instruction sheets and technical data can be viewed on our website at dixonbayco.com by selecting the "Resources" menu

Petroleum Replacement Parts

Dry Disconnects

DBC Cam and Groove Dry Disconnects

1½" Stainless Couplers

1½" stainless coupler

Bill of Materials

DBC7x-150

Item #	Description	Part #	Qty
1	body	---	1
2	stuffing box	40074SS	1
3	back up ring	40075TF	1
4A	crank shaft O-ring Buna (for DBC71-150)	40076BN	1
4B	crank shaft O-ring FKM (for DBC72-150)	40076VI	1
4C	crank shaft O-ring Kalrez® (for DBC73-150, DBC76-150 and DBC77-150)	40076KR	1
4D	crank shaft O-ring EPDM (for DBC74-150)	40076EP	1
5	stuffing box PTFE O-ring	40077TF	1
6	large crank shaft bearing	40078FG	1
7	small crank shaft bearing	40079SS	1
8	lever (handle)	40080SS	1
9A	seal cylinder (for DBC71-150)	40117SSBN	1
9B	seal cylinder (for DBC72-150)	40117SSVI	1
9C	seal cylinder (for DBC73-150, DBC76-150 and DBC77-150)	40169SS	1
9D	seal cylinder (for DBC74-150)	40117SSEP	1
10	PTFE button	40082TF	6
11	yoke	40118SS	1
12	PTFE bushing	40119TF	1
13A	body O-ring Buna (for DBC71-150)	40120BN	1
13B	body O-ring FKM (for DBC72-150)	40120VI	1
13C	body O-ring PTFE/Silicone® (for DBC73-150)	40120TS	1
13D	body O-ring EPDM (for DBC74-150)	40120EP	1
13E	body O-ring Kalrez® (for DBC76-150)	40120KR	1
13F	body O-ring PTFE/FKM (for DBC77-150)	40120TV	1
14	link rivet	40086SS	1
15	groove pin	40087SS	1
16	crank shaft cotter pin	40088SS	1
17	link cotter pin	40088SS	1
18	EZ Boss lock cam arm	40089SS	2
19A	cam gasket Buna (for DBC71-150)	200-G-BU	1
19B	cam gasket FKM (for DBC72-150)	200-G-VI	1
19C	cam gasket PTFE/Silicone® (for DBC73-150)	200-G-TES	1
19D	cam gasket EPDM (for DBC74-150)	200-G-EPR	1
19E	cam gasket PTFE/FKM (for DBC76-150 and DBC77-150)	200-G-TFVI	1
20	poppet	40114SS	1
21	crank shaft	40115SS	1
22	link arm	40116SS	1
23	link washer	40094SS	1
24	poppet screw PTFE O-ring	40122TF	1
25	cylinder spring	DBCxx-150RK8	1
26	set screw	40124SS	1
27	poppet screw (round head)	40125SS	1
28	lock washer	40099SS	1
29	socket head cap screw	40100SS	1
30	cam arm spring pin	40101SS	2
31	nose seal (for DBC73-150, DBC76-150 and DBC77-150)	40171TF	1

Repair Kits

Part #	Description	Includes Item #
DBCx1-150RK1 (Buna-N)	replacement seal kit, Buna crank shaft O-ring, PTFE stuffing box O-ring, Bunabody O-ring, Buna cam gasket, PTFE O-ring (for DBC71-150)	4A, 5, 13A, 19A, 24
DBCx2-150RK1 (FKM)	replacement seal kit, FKM crank shaft O-ring, PTFE stuffing box O-ring, FKM body O-ring, FKM cam gasket, PTFE O-ring (for DBC72-150)	4B, 5, 13B, 19B, 24
DBCx3-150RK1 (PTFE/Silicone & Chemrez®)	replacement seal kit, Kalrez® crank shaft O-ring, PTFE stuffing box O-ring, PTFE/Silicone body O-ring, PTFE/Silicone cam gasket, PTFE O-ring (for DBC73-150)	4C, 5, 13C, 19C, 24
DBCx4-150RK1 (EPDM)	replacement seal kit, EPDM crank shaft O-ring, PTFE stuffing box O-ring, EPDM body O-ring, EPR cam gasket, PTFE O-ring (for DBC74-150)	4D, 5, 13D, 19D, 24
DBCx6-150RK1 (Kalrez® & PTFE/FKM)	replacement seal kit, Kalrez® crank shaft O-ring, PTFE stuffing box O-ring, Kalrez® body O-ring, PTFE/FKM cam gasket, PTFE O-ring (for DBC76-150)	4C, 5, 13E, 19E, 24
DBCx7-150RK1	replacement seal kit, Kalrez® crank shaft O-ring, PTFE stuffing box O-ring, PTFE/FKM body O-ring, PTFE/FKM cam gasket, PTFE O-ring (for DBC77-150)	4C, 5, 13F, 19E, 24
DBC71-150RK2	replacement Buna seal cylinder, PTFE buttons & PTFE bushing (for DBC71-150)	9A, 10, 12
DBC72-150RK2	replacement FKM seal cylinder, PTFE buttons and PTFE bushing (for DBC72-150)	9B, 10, 12
DBCx3-150RK2	replacement PTFE nose seal, PTFE buttons & PTFE bushing (for DBC73-150, DBC76-150 & DBC77-150)	10, 12, 31
DBC74-150RK2	replacement EPDM seal cylinder, PTFE buttons & PTFE bushing (for DBC74-150)	9D, 10, 12
DBCxx-150RK4	replacement link kit, link rivet, cotter pins, link washer, link arm & yoke (for all 1½" stainless steel)	11, 14, 16, 17, 22, 23
DBCxx-150RK5	replacement stuffing box kit, stuffing box, PTFE O-ring & large crank shaft bearing (for all 1½" stainless steel)	2, 5, 6
DBCxx-150RK6	replacement lever (handle) kit, lever, groove pin, lock washer & socket head cap screw (for all 1½" stainless steel)	8, 15, 28, 29
DBCxx-150RK7	replacement crank shaft kit, crank shaft, cotter pin & washer (for all 1½" stainless steel)	16, 21, 23
DBCxx-150RK8	main cylinder spring	25
DBCxx-150RK9	replacement poppet kit, poppet, round head screw, set screw & PTFE O-ring (for all 1½" stainless steel)	20, 24, 26, 27
DBCL-200	Optional add on padlockable lever kit (handle) (for all 1½")	not illustrated

Petroleum Replacement Parts

Product instruction sheets and technical data can be viewed on our website at dixonbayco.com by selecting the "Resources" menu

Dry Disconnects

DBC Cam and Groove Dry Disconnects

2" Aluminum Couplers

2" aluminum coupler

Bill of Materials

DBC6x-200

Item #	Description	Part #	Qty
1	body	---	1
2	stuffing box	40074SS	1
3	back up ring	40075TF	1
4A	crank shaft O-ring Buna (for DBC61-200)	40076BN	1
4B	crank shaft O-ring FKM (for DBC62-200)	40076VI	1
4C	crank shaft O-ring Kalrez® (for DBC63-200, DBC66-200 & DBC67-200)	40076KR	1
4D	crank shaft O-ring EPDM (for DBC64-200)	40076EP	1
5	stuffing box PTFE O-ring	40077TF	1
6	large crank shaft bearing	40078FG	1
7	small crank shaft bearing	40079SS	1
8	lever (handle)	40080SS	1
9A	seal cylinder (for DBC61-200)	40081ALBN	1
9B	seal cylinder (for DBC62-200)	40081ALVI	1
9C	seal cylinder (for DBC63-200, DBC66-200 & DBC67-200)	40168SS	1
9D	seal cylinder (for DBC64-200)	40081ALEP	1
10	PTFE button	40082TF	6
11	yoke	40083SS	1
12	PTFE bushing	40084TF	1
13A	body O-ring Buna (for DBC61-200)	40085BN	1
13B	body O-ring FKM (for DBC62-200)	40085VI	1
13C	body O-ring PTFE/Silicone (for DBC63-200)	40085TS	1
13D	body O-ring EPDM (for DBC64-200)	40085EP	1
13E	body O-ring Kalrez®(for DBC66-200)	40085KR	1
13F	body O-ring PTFE/FKM (for DBC67-200)	40085TV	1
14	link rivet	40086SS	1
15	groove pin	40087SS	1
16	crank shaft cotter pin	40088SS	1
17	link cotter pin	40088SS	1
18	EZ Boss lock cam arm	40089SS	2
19A	cam gasket Buna (for DBC61-200)	250-G-BU	1
19B	cam gasket FKM (for DBC62-200)	250-G-VI	1
19C	cam gasket PTFE/Silicone (for DBC63-200)	250-G- <i>TES</i>	1
19D	cam gasket EPDM (for DBC64-200)	250-G-EPR	1
19E	cam gasket PTFE/FKM (for DBC66-200 & DBC67-200)	250-G-TFVI	1
20	poppet	40091SS	1
21	crank shaft	40092SS	1
22	link arm	40093SS	1
23	link washer	40094SS	1
24	poppet screw PTFE O-ring	40095TF	1
25	cylinder spring	DBCxx-200RK8	1
26	set screw	40097SS	1
27	poppet screw (round head)	40098SS	1
28	lock washer	40099SS	1
29	socket head cap screw	40100SS	1
30	cam arm spring pin	40101SS	2
31	nose seal (for DBC63-200, DBC66-200 & DBC67-200)	40170TF	1

Repair Kits

Part #	Description	Includes Item #
DBCx1-200RK1 (Buna-N)	replacement seal kit, Buna crank shaft O-ring, PTFE stuffing box O-ring, Buna body O-ring, Buna cam gasket, PTFE O-ring (for DBC61-200)	4A, 5, 13A, 19A, 24
DBCx2-200RK1 (FKM)	replacement seal kit, FKM crank shaft O-ring, PTFE stuffing box O-ring, FKM body O-ring, FKM cam gasket, PTFE O-ring (for DBC62-200)	4B, 5, 13B, 19B, 24
DBCx3-200RK1 (PTFE/Silicone and Kalrez®)	replacement seal kit, Kalrez® crank shaft O-ring, PTFE stuffing box O-ring, PTFE/Silicone body O-ring, PTFE/Silicone cam gasket, PTFE O-ring (for DBC63-200)	4C, 5, 13C, 19C, 24
DBCx4-200RK1 (EPDM)	replacement seal kit, EPDM crank shaft O-ring, PTFE stuffing box O-ring, EPDM body O-ring, EPDM cam gasket, PTFE O-ring (for DBC64-200)	4D, 5, 13D, 19D, 24
DBCx6-200RK1 (Kalrez® & PTFE/FKM)	replacement seal kit, Kalrez® crank shaft O-ring, PTFE stuffing box O-ring, Kalrez® body O-ring, PTFE/FKM cam gasket, PTFE O-ring (for DBC66-200)	4C, 5, 13E, 19E, 24
DBCx7-200RK1 (Kalrez® & PTFE/FKM)	replacement seal kit, Kalrez® crank shaft O-ring, PTFE stuffing box O-ring, Kalrez® body O-ring, PTFE/FKM cam gasket, PTFE O-ring (for DBC67-200)	4C, 5, 13F, 19E, 24
DBC61-200RK2	replacement Buna seal cylinder, PTFE buttons and PTFE bushing (for DBC61-200)	9A, 10, 12
DBC62-200RK2	Replacement FKM seal cylinder, PTFE buttons and PTFE bushing (for DBC62-200)	9B, 10, 12
DBCx3-200RK2	replacement PTFE nose seal, PTFE buttons and PTFE bushing (for DBC63-200, DBC66-200 & DBC67-200)	10, 12, 31
DBC64-200RK2	replacement EPDM seal cylinder, PTFE buttons and PTFE bushing (for DBC64-200)	9D, 10, 12
DBCxx-200RK4	replacement link kit, link rivet, cotter pins, link washer, link arm and yoke (for all 2" aluminum)	11, 14, 16, 22, 23
DBCxx-200RK5	replacement stuffing box kit, stuffing box, PTFE O-ring & large crank shaft bearing (for all 2" aluminum)	2, 5, 6
DBCxx-200RK6	replacement lever (handle) kit, lever, groove pin, lock washer & socket head cap screw (for all 2" aluminum)	8, 15, 28, 29
DBCxx-200RK7	replacement crank shaft kit, crank shaft, cotter pin & washer (for all 2" aluminum)	16, 21, 23
DBCxx-200RK8	main cylinder spring	25
DBCxx-200RK9	replacement poppet kit, poppet, round head screw, set screw and PTFE O-Ring (for all 2" aluminum)	20, 24, 26, 27
DBCL-200	optional add on padlockable lever kit, handle (for all 2")	not illustrated

Petroleum Replacement Parts

Product instruction sheets and technical data can be viewed on our website at dixonbayco.com by selecting the "Resources" menu

Dry Disconnects

DBC Cam and Groove Dry Disconnects

2" Stainless Couplers

2" stainless coupler

Bill of Materials

DBC7x-200

Item #	Description	Part #	Qty
1	body	---	1
2	stuffing box	40074SS	1
3	back up ring	40075TF	1
4A	crank shaft O-ring Buna (for DBC71-200)	40076BN	1
4B	crank shaft O-ring FKM (for DBC72-200)	40076VI	1
4C	crank shaft O-ring Kalrez® (for DBC73-200, DBC77-200, DBC76-200)	40076KR	1
4D	crank shaft O-ring EPDM (for DBC74-200)	40076EP	1
5	stuffing box PTFE O-ring	40077TF	1
6	large crank shaft bearing	40078FG	1
7	small crank shaft bearing	40079SS	1
8	lever (handle)	40080SS	1
9A	seal cylinder (for DBC71-200)	40081SSBN	1
9B	seal cylinder (for DBC72-200)	40081SSVI	1
9C	seal cylinder (for DBC73-200, DBC76-200, DBC77-200)	40168SS	1
9D	seal cylinder (for DBC74-200)	40081SSSEP	6
10	PTFE button	40082TF	1
11	yoke	40083SS	1
12	PTFE bushing	40084TF	1
13A	body O-ring Buna (for DBC71-200)	40085BN	1
13B	body O-ring FKM (for DBC72-200)	40085VI	1
13C	body O-ring PTFE/Silicone (for DBC73-200)	40085TS	1
13D	body O-ring EPDM (for DBC74-200)	40085EP	1
13E	body O-ring Kalrez® (for DBC76-200)	40085KR	1
13F	body O-ring PTFE/FKM (DBC77-200)	40085TV	1
14	link rivet	40086SS	1
15	groove pin	40087SS	1
16	crank shaft cotter pin	40088SS	1
17	link cotter pin	40088SS	2
18	EZ Boss lock cam arm	40089SS	1
19A	cam gasket Buna (for DBC71-200)	250-G-BU	1
19B	cam gasket FKM (for DBC72-200)	250-G-VI	1
19C	cam gasket PTFE/Silicone (for DBC73-200)	250-G-TES	1
19D	cam gasket EPDM (for DBC74-200)	250-G-EPR	1
19E	cam gasket PTFE/FKM (for DBC76-200, DBC77-200)	250-G-TFVI	1
20	poppet	40091SS	1
21	crank shaft	40092SS	1
22	link arm	40093SS	1
23	link washer	40094SS	1
24	poppet screw PTFE O-ring	40095TF	1
25	cylinder spring	40096SS	1
26	set screw	40097SS	1
27	poppet screw (round head)	40098SS	1
28	lock washer	40099SS	1
29	socket head cap screw	40100SS	1
30	cam arm spring pin	40101SS	2
31	nose seal (for DBC73-200, DBC76-200 and DBC77-200)	40170TF	1

Repair Kits

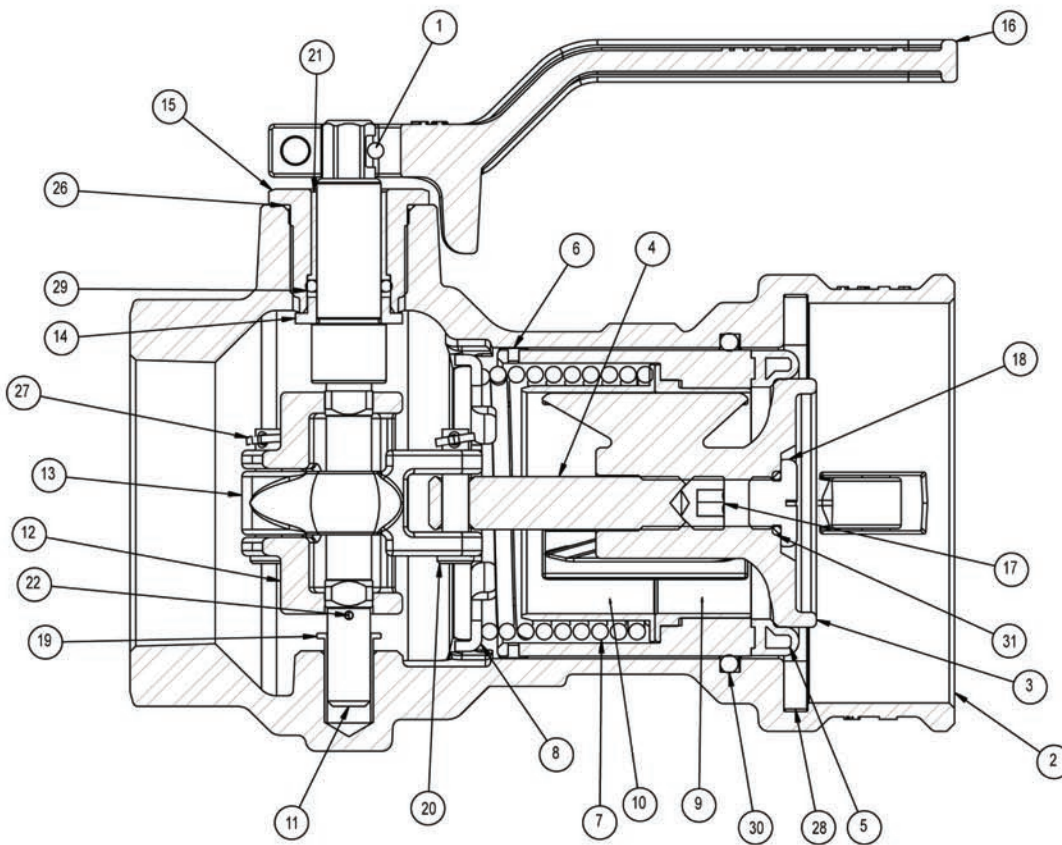
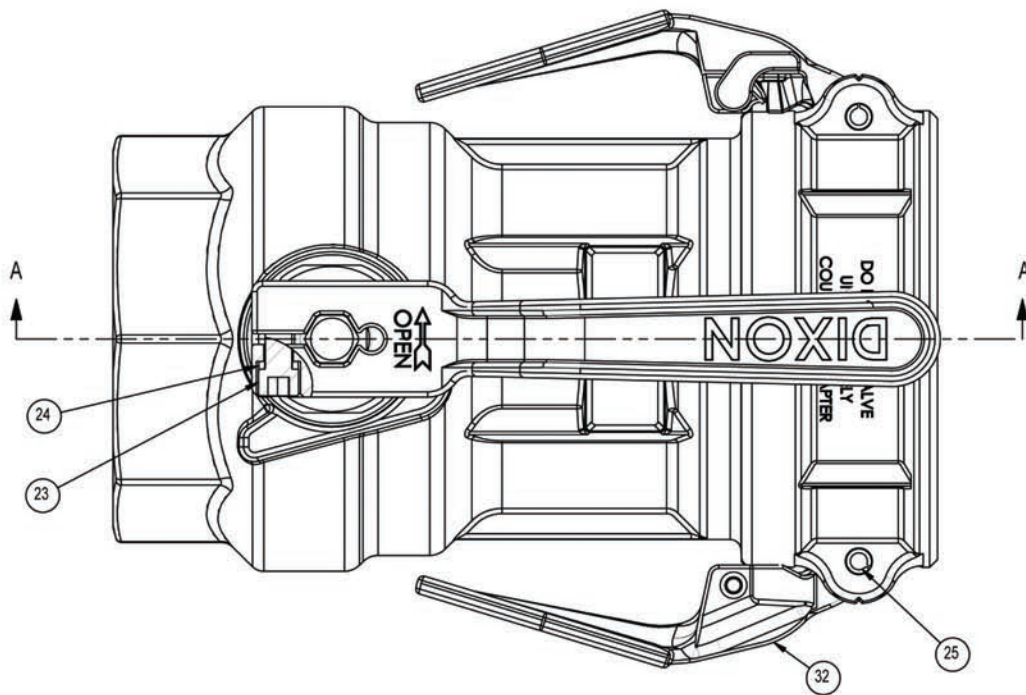
Part #	Description	Includes Item #
DBCx1-200RK1 (Buna-N)	replacement seal kit, Buna crank shaft O-ring, PTFE stuffing box O-ring, Buna body O-ring, Buna cam gasket, PTFE O-ring (for DBC71-200)	4A, 5, 13A, 19A, 24
DBCx2-200RK1 (FKM)	replacement seal kit, FKM crank shaft O-ring, PTFE stuffing box O-ring, FKM body O-ring, FKM cam gasket, PTFE O-ring (for DBC72-200)	4B, 5, 13B, 19B, 24
DBCx3-200RK1 (PTFE/Silicone and Kalrez®)	replacement seal kit, Kalrez® crank shaft O-ring, PTFE stuffing box O-ring, PTFE/Silicone body O-ring, PTFE/Silicone cam gasket, PTFE O-ring (for DBC73-200)	4C, 5, 13C, 19C, 24
DBCx4-200RK1 (EPDM)	replacement seal kit, EPDM crank shaft O-ring, PTFE stuffing box O-ring, EPDM body O-ring, EPDM cam gasket, PTFE O-ring (for DBC74-200)	4D, 5, 13D, 19D, 24
DBCx6-200RK1 (Kalrez® & PTFE/FKM)	replacement seal kit, Kalrez® crank shaft O-ring, PTFE stuffing box O-ring, Kalrez® body O-ring, PTFE/FKM cam gasket, PTFE O-ring (for DBC76-200)	4C, 5, 13E, 19E, 24
DBCx7-200RK1 (PTFE/FKM and Kalrez®)	replacement seal kit, Kalrez® crank shaft O-ring, PTFE stuffing box O-ring, Kalrez® body O-ring, PTFE/FKM cam gasket, PTFE O-ring (for DBC77-200)	4C, 5, 13F, 19E, 24
DBC71-200RK2	replacement Buna seal cylinder, PTFE buttons and PTFE bushing (for DBC71-200)	9A, 10, 12
DBC72-200RK2	replacement FKM seal cylinder, PTFE buttons and PTFE bushing (for DBC72-200)	9B, 10, 12
DBCx3-200RK2	replacement PTFE nose seal, PTFE buttons and PTFE bushing (for DBC73-200, DBC76-200 & DBC77-200)	10, 12, 31
DBC74-200RK2	replacement EPDM seal cylinder, PTFE buttons & PTFE bushing (for DBC74-200)	9D, 10, 12
DBCxx-200RK4	replacement link kit, link rivet, cotter pins, link washer, link arm, yoke (for all 2" SS)	11, 14, 16, 17, 22, 23
DBCxx-200RK5	replacement stuffing box kit, stuffing box, PTFE O-ring and large crank shaft bearing (for all 2" SS)	2, 5, 6
DBCxx-200RK6	replacement lever (handle) kit, lever, groove pin, lock washer and socket head cap screw (for all 2" SS)	8, 15, 28, 29
DBCxx-200RK7	replacement crank shaft kit, crank shaft, cotter pin and washer (for all 2" SS)	16, 21, 23
DBCxx-200RK8	main cylinder spring	25
DBCxx-200RK9	replacement poppet kit, poppet, round head screw, set screw and PTFE O-ring (for all 2" SS)	20, 24, 26, 27
DBCL-200	optional add on padlockable lever kit (handle) (for all 2")	not illustrated

Product instruction sheets and technical data can be viewed on our website at dixonbayco.com by selecting the "Resources" menu

Dry Disconnects

DBC Cam and Groove Dry Disconnects

3" Aluminum Couplers



SECTION A-A

Product instruction sheets and technical data can be viewed on our website at dixonbayco.com by selecting the "Resources" menu

Dry Disconnects

DBC Cam and Groove Dry Disconnects

3" Aluminum Couplers

3" aluminum coupler

Bill of Materials

DBC6x-300

Item #	Description	Part #	Qty
1	groove pin	40087SS	1
2	body	---	1
3	poppet	40195SS	1
4	stem	40196SS	1
5A	seal cylinder (for DBC61-300)	40197ALBN	1
5B	seal cylinder (for DBC62-300)	40197ALVI	1
5C	seal cylinder (for DBC63-300, DBC66-300 & DBC67-300)	40304SS	1
5D	seal cylinder (for DBC64-300)	40197SSEP	1
5E	seal cylinder (for DBC69-300)	40197SSVB	1
6	PTFE button	40198TF	8
7	cylinder spring	DBCxx-300RK8	1
8	poppet spring seat	40200AL	1
9	PTFE bushing	40201TF	1
10	poppet spring guide	40202SS	1
11	shaft	40203SS	1
12	yoke	40204SS	1
13	link	40205SS	1
14	shaft retainer	40206SS	1
15	stuffing box	40207SS	1
16	lever (handle)	40208SS	1
17	set screw	40209SS	1
18	poppet screw	40210SS	1
19	PTFE bearing	40211TF	1
20	clevis pin	40212SS	2
21	bearing	40213FG	1
22	cotter pin	40214SS	1
23	lever (handle) screw	40216SS	1
24	lever (handle) lock washer	40217SS	1
25	cam arm pin	40218SS	2
26	PTFE O-ring	40219TF	1
27	cotter pin	40221SS	2
28A	Buna coupler gasket (for DBC61-300)	DBCx1-300RK3	1
28B	FKM coupler gasket (for DBC62-300)	DBCx2-300RK3	1
28C	PTFE/Silicone coupler gasket (for DBC63-300)	DBCx3-300RK3	1
28D	EPDM coupler gasket (for DBC64-300)	DBCx4-300RK3	1
28E	PTFE/FKM coupler gasket (for DBC66-300 & DBC67-300)	40222TV	1
28F	FKM-B coupler gasket (for DBC69-300)	DBCx9-300RK3	1
29A	Buna O-ring (for DBC61-300)	40223BN	1
29B	FKM O-ring (for DBC62-300)	40223VI	1
29C	Kalrez® O-ring (for DBC63-300, DBC66-300 & DBC67-300)	40223KR	1
29D	EPDM O-ring (for DBC64-300)	40223EP	1
29E	FKM-B O-ring (for DBC69-300)	40223VB	1
30A	Buna O-ring (for DBC61-300)	40224BN	1
30B	FKM O-ring (for DBC62-300)	40224VI	1
30C	PTFE/Silicone O-Ring (for DBC63-300)	40224TS	1
30D	EPDM O-ring (for DBC64-300)	40224EP	1
30E	Kalrez® O-ring (for DBC66-300)	40224KR	1
30F	PTFE/FKM O-ring (for DBC67-300)	40224TV	1
30G	FKM-B O-ring (for DBC69-300)	40224VB	1
31	PTFE O-ring	40235TF	1
32	locking paddle arm	40285SSSS	2
33	nose seal (for DBC63-300, DBC66-300 & DBC67-300)	40305TF	1

Repair Kits

Part #	Description	Includes Item #
DBCx1-300RK1 (Buna-N)	replacement seal kit, Buna stuffing box O-ring, PTFE stuffing box to body O-ring, Buna body O-ring, Buna cam gasket, PTFE Poppet screw O-ring (for DBC61-300)	26, 28A, 29A, 30A, 31
DBCx2-300RK1 (FKM)	replacement seal kit, FKM stuffing box O-ring, PTFE stuffing box to body O-ring, FKM body O-ring, FKM cam gasket, PTFE Poppet screw O-ring (for DBC62-300)	26, 28B, 29B, 30B, 31
DBCx3-300RK1 (PTFE/Silicone & Kalrez®)	replacement seal kit, Kalrez® stuffing box O-ring, PTFE stuffing box to body O-ring, PTFE/Silicone body O-ring, PTFE/Silicone cam gasket, PTFE Poppet screw O-ring (for DBC63-300)	26, 28C, 29C, 30C, 31
DBCx4-300RK1 (EPDM)	replacement seal kit, EPDM stuffing box O-ring, PTFE stuffing box to body O-ring, EPDM body O-ring, EPDM cam gasket, PTFE Poppet screw O-ring (for DBC64-300)	26, 28D, 29D, 30D, 31
DBCx6-300RK1 (Kalrez® and PTFE/FKM)	replacement seal kit, Kalrez® stuffing box O-ring, PTFE stuffing box to body O-ring, Kalrez® body O-ring, PTFE/FKM cam gasket, PTFE poppet screw O-ring (for DBC66-300)	26, 28E, 29C, 30E, 31
DBCx7-300RK1 (PTFE/FKM and Kalrez®)	replacement seal kit, Kalrez® stuffing box O-ring, PTFE stuffing box to body O-ring, PTFE/FKM body O-ring, PTFE/FKM cam gasket, PTFE Poppet screw O-ring (for DBC67-300)	26, 28E, 29C, 30F, 31
DBCx9-300RK1 (FKM-B)	replacement seal kit, FKM-B stuffing box O-ring, PTFE stuffing box to body O-ring, FKM-B body O-ring, FKM-B cam gasket, PTFE Poppet screw O-ring (for DBC69-300)	26, 28F, 29E, 30G, 31
DBC61-300RK2	replacement Buna seal cylinder, PTFE buttons and PTFE bushing (for DBC61-300)	5A, 6, 9
DBC62-300RK2	replacement FKM seal cylinder, PTFE buttons and PTFE bushing (for DBC62-300)	5B, 6, 9
DBCx3-300RK2	replacement PTFE nose seal, PTFE buttons and PTFE bushing (for DBC63-300, DBC66-300 & DBC67-300)	6, 9, 33
DBC64-300RK2	replacement EPDM seal cylinder, PTFE buttons and PTFE bushing (for DBC64-300)	5D, 6, 9
DBC69-300RK2	replacement FKM-B seal cylinder, PTFE buttons and PTFE bushing (for DBC69-300)	5E, 6, 9
DBCx1-300RK3	replacement Buna coupler gasket	28A
DBCx2-300RK3	replacement FKM coupler gasket	28B
DBCx3-300RK3	replacement PTFE/Silicone coupler gasket	28C
DBCx4-300RK3	replacement EPDM coupler gasket	28D
DBCx9-300RK3	replacement FKM-B coupler gasket	28F
DBCxx-300RK4	replacement link kit, clevis pin, cotter pin, stem, link and yoke (for all 3" aluminum)	4, 12, 13, 20, 22, 27
DBCxx-300RK5	replacement stuffing box kit, stuffing box, PTFE O-ring & bearing	15, 21, 26
DBCxx-300RK6	replacement lever (handle) kit, lever, groove pin, lock washer & socket head cap screw (for all 3" aluminum)	1, 16, 23, 24
DBCxx-300RK7	replacement shaft kit, shaft, cotter pin, bearing, shaft retainer	11, 14, 19, 22
DBCxx-300RK8	main cylinder spring	7
DBCxx-300RK9	replacement poppet kit, poppet and screw, set screw and PTFE O-ring	3, 17, 18, 31

Product instruction sheets and technical data can be viewed on our website at dixonbayco.com by selecting the "Resources" menu

Dry Disconnects

DBC Cam and Groove Dry Disconnects

3" stainless coupler

3" Stainless Couplers

Bill of Materials

Repair Kits

DBC7x-300

Item #	Description	Part #	Qty
1	groove pin	40087SS	1
2	body	---	1
3	poppet	40195SS	1
4	stem	40196SS	1
5A	seal cylinder Buna (for DBC71-300)	40197SSBN	1
5B	seal cylinder FKM (for DBC72-300)	40197SSVI	1
5C	stainless cylinder (for DBC73-300, DBC76-300 & DBC77-300)	40304SS	1
5D	seal cylinder EPDM (for DBC74-300)	40197SSSEP	1
5E	seal cylinder FKM-B (for DBC79-300)	40197SSVB	1
6	PTFE button	40198TF	8
7	cylinder spring	DBCxx-300RK8	1
8	spring seat	40200SS	1
9	PTFE bushing	40201TF	1
10	spring guide	40202SS	1
11	shaft	40203SS	1
12	yoke	40204SS	1
13	link arm	40205SS	1
14	shaft retainer	40206SS	1
15	stuffing box	40207SS	1
16	lever (handle)	40208SS	1
17	set screw	40209SS	1
18	poppet screw	40210SS	1
19	PTFE bearing	40211TF	1
20	clevis pin	40212SS	2
21	bearing	40213FG	1
22	cotter pin	40214SS	1
23	lever (handle) screw	40216SS	1
24	lever (handle) lock washer	40217SS	1
25	cam arm pin	40218SS	2
26	PTFE O-ring	40219TF	1
27	cotter pin	40221SS	2
28A	Buna coupler gasket (for DBC71-300)	DBCx1-300RK3	1
28B	FKM coupler gasket (for DBC72-300)	DBCx2-300RK3	1
28C	PTFE/Silicone coupler gasket (for DBC73-300)	40222TS	1
28D	EPDM coupler gasket (for DBC74-300)	40222EP	1
28E	PTFE/FKM coupler gasket (for DBC76-300 & DBC77-300)	40222TV	1
28F	FKM-B coupler gasket (for DBC79-300)	DBCx9-300RK3	1
29A	Buna O-ring (for DBC71-300)	40223BN	1
29B	FKM O-ring (for DBC72-300)	40223VI	1
29C	Kalrez® O-ring (for DBC73-300, DBC76-300 and DBC77-300)	40223KR	1
29D	EPDM O-ring (for DBC74-300)	40223EP	1
29E	FKM-B O-ring (for DBC79-300)	40223VB	1
30A	Buna O-ring (for DBC71-300)	40224BN	1
30B	FKM O-ring (for DBC72-300)	40224VI	1
30C	PTFE/Silicone O-ring (for DBC73-300)	40224TS	1
30D	EPDM O-ring (for DBC74-300)	40224EP	1
30E	Kalrez® O-ring (for DBC76-300)	40224KR	1
30F	PTFE/FKM O-ring (for DBC77-300)	40224TV	1
30G	FKM-B O-ring (for DBC79-300)	40224VB	1
31	PTFE O-ring	40235TF	1
32	locking paddle arm	40285SSSS	2
33	PTFE nose seal (for DBC73-300, DBC76-300 and DBC77-300)	40305TF	1

Part #	Description	Includes Item #
DBCx1-300RK1 (Buna-N)	replacement seal kit, Buna stuffing box O-ring, PTFE stuffing box to body O-ring, Buna body O-ring, Buna cam gasket, PTFE poppet screw O-ring (for DBC71-300)	26, 28A, 29A, 30A, 31
DBCx2-300RK1 (FKM)	replacement seal kit, FKM stuffing box O-ring, PTFE stuffing box to body O-ring, FKM body O-ring, FKM cam gasket, PTFE poppet screw O-ring (for DBC72-300)	26, 28B, 29B, 30B, 31
DBCx3-300RK1 (PTFE/Silicone & Kalrez®)	replacement seal kit, Kalrez® stuffing box O-ring, PTFE stuffing box to body O-ring, PTFE/Silicone body O-ring, PTFE/Silicone cam gasket, PTFE poppet screw O-ring (for DBC73-300)	26, 28C, 29C, 30C, 31
DBCx4-300RK1 (EPDM)	replacement seal kit, EPDM stuffing box O-ring, PTFE stuffing box to body O-ring, EPDM body O-ring, EPDM cam gasket, PTFE poppet screw O-ring (for DBC74-300)	26, 28D, 29D, 30D, 31
DBCx6-300RK1 (Kalrez® and PTFE/FKM)	replacement seal kit, Kalrez® stuffing box O-ring, PTFE stuffing box to body O-ring, Kalrez® body O-ring, PTFE/FKM cam gasket, PTFE poppet screw O-ring (for DBC76-300)	26, 28E, 29C, 30E, 31
DBCx7-300RK1 (PTFE/FKM & Kalrez®)	replacement seal kit, Kalrez® stuffing box O-ring, PTFE stuffing box to body O-ring, PTFE/FKM body O-ring, PTFE/FKM cam gasket, PTFE poppet screw O-ring (for DBC77-300)	26, 28E, 29C, 30F, 31
DBCx9-300RK1 (FKM-B)	replacement seal kit, FKM-B stuffing box O-ring, PTFE stuffing box to body O-ring, FKM-B body O-ring, FKM cam gasket, PTFE poppet screw O-ring (for DBC79-300)	26, 28F, 29E, 30G, 31
DBC69-300RK2	replacement FKM-B seal cylinder, PTFE buttons and PTFE bushing (for DBC79-300)	5E, 6, 9
DBC71-300RK2	replacement Buna seal cylinder, PTFE buttons and PTFE bushing (for DBC71-300)	5A, 6, 9
DBC72-300RK2	replacement FKM seal cylinder, PTFE buttons and PTFE bushing (for DBC72-300)	5B, 6, 9
DBCx3-300RK2	replacement PTFE nose seal, PTFE buttons & PTFE bushing (for DBC73-300, DBC76-300 and DBC77-300)	6, 9, 33
DBC74-300RK2	replacement EPDM seal cylinder, PTFE buttons and PTFE bushing (for DBC74-300)	5D, 6, 9
DBCX1-300RK3	replacement Buna coupler gasket	28A
DBCx2-300RK3	replacement FKM coupler gasket	28B
DBCxx-300RK4	replacement link kit, clevis pin, cotter pin, stem, link arm and yoke (for all 3" SS)	4, 12, 13, 20, 22, 27
DBCxx-300RK5	replacement stuffing box kit, stuffing box, PTFE O-ring & bearing (for all 3" SS)	15, 21, 26
DBCxx-300RK6	replacement lever (handle) kit, lever, groove pin, lock washer and socket head cap screw (for all 3" SS)	1, 16, 23, 24
DBCxx-300RK7	replacement shaft kit, shaft, cotter pin bearing, shaft retainer, (for all 3" SS)	11, 14, 19, 22
DBCxx-300RK8	main cylinder spring	7
DBCxx-300RK9	replacement poppet kit, poppet, poppet screw, set screw and PTFE O-ring (for all 3" SS)	3, 17, 18, 31

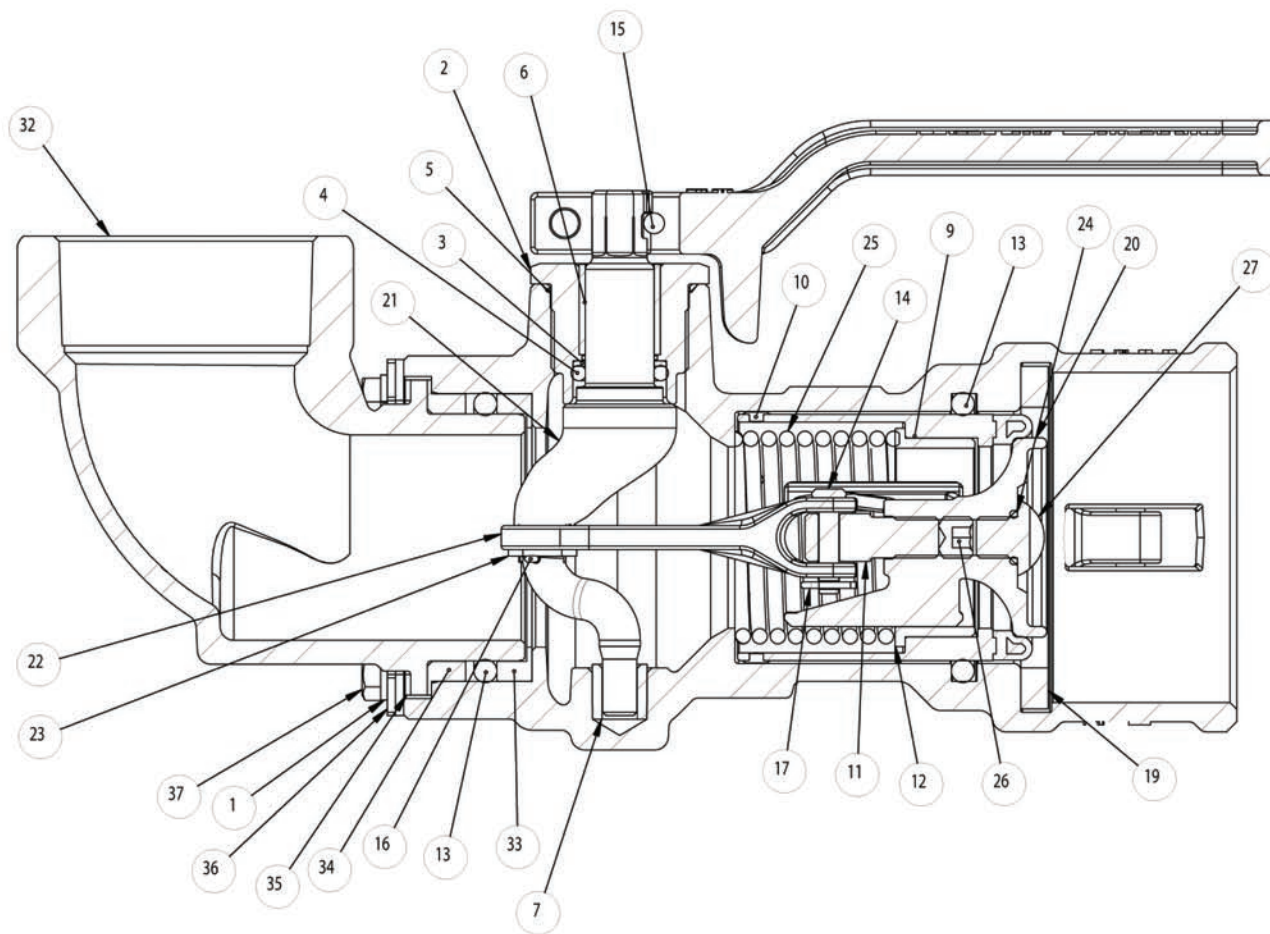
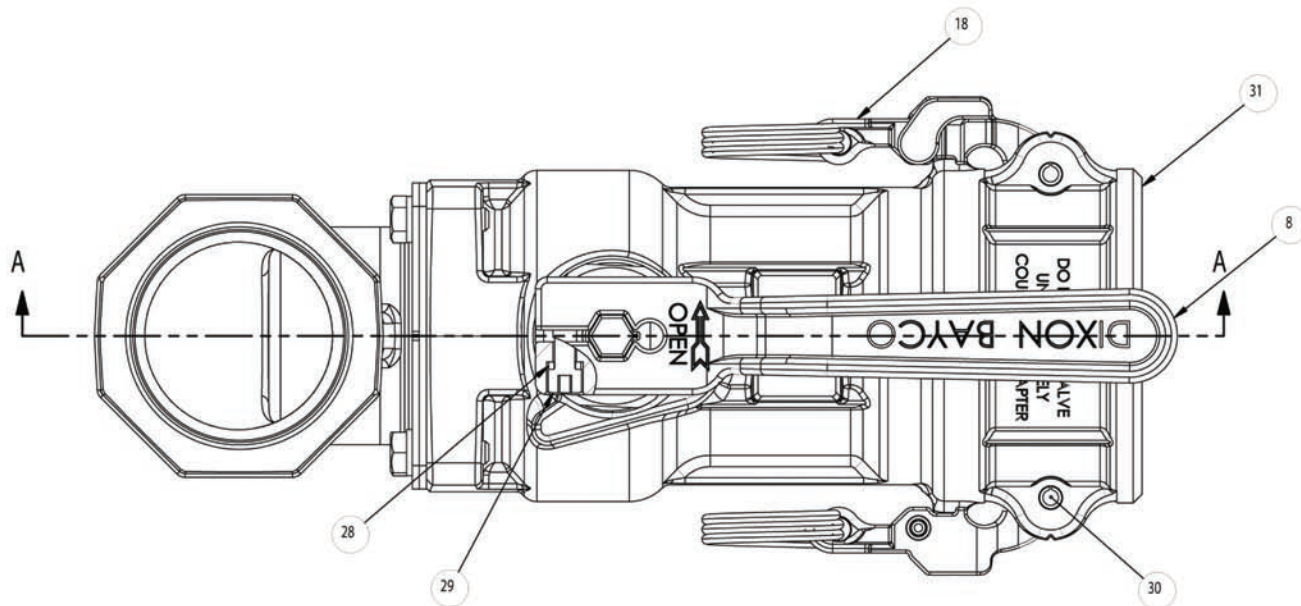
Product instruction sheets and technical data can be viewed on our website at dixonbayco.com by selecting the "Resources" menu

Petroleum Replacement Parts

Dry Disconnects

DBS 90° Swivel Cam and Groove Dry Disconnects

2" Aluminum 90° Swivel Couplers



Section A - A

Product instruction sheets and technical data can be viewed on our website at dixonbayco.com by selecting the "Resources" menu

Petroleum
Replacement Parts

Dry Disconnects

DBS 90° Swivel Cam and Groove Dry Disconnects

2" Aluminum 90° Swivel Couplers

2" aluminum 90° coupler

Bill of Materials

DBS6x-200

Item #	Description	Part #	Qty
1	lock washer	10111	4
2	stuffing box	40074SS	1
3	back up ring	40075TF	1
4A	crank shaft O-ring Buna (for DBS61-200)	40076BN	1
4B	crank shaft O-ring FKM (for DBS62-200)	40076VI	1
4C	crank shaft O-ring Kalrez® (for DBS63-200)	40076KR	1
5	stuffing box PTFE O-ring	40077TF	1
6	large crank shaft bearing	40078FG	1
7	small crank shaft bearing	40079SS	1
8	lever (handle)	40080SS	1
9A	seal cylinder (for DBS61-200)	40081ALBN	1
9B	seal cylinder (for DBS62-200)	40081ALVI	1
9C	seal cylinder (for DBS63-200)	40168SS	1
10	PTFE button	40082TF	6
11	yoke	40083SS	1
12	PTFE bushing	40084TF	1
13A	body and swivel Buna O-ring (for DBS61-200)	40085BN	2
13B	body and swivel FKM O-ring (for DBS62-200)	40085VI	2
13C	body and swivel PTFE/Silicone® O-ring (for DBS63-200)	40085TS	2
14	link rivet	40086SS	1
15	groove pin	40087SS	1
16	crank shaft cotter pin	40088SS	1
17	link cotter pin	40088SS	1
18	EZ Boss lock cam arm	40089SS	2
19A	cam gasket Buna (for DBS61-200)	250-G-BU	1
19B	cam gasket FKM (for DBS62-200)	250-G-VI	1
19C	cam gasket PTFE/Silicone® (for DBS63-200)	250-G-TES	1
20	poppet	40091SS	1
21	crank shaft	40092SS	1
22	link arm	40093SS	1
23	link washer	40094SS	1
24	poppet screw PTFE O-ring	40095TF	1
25	cylinder spring	DBCxx-200RK8	1
26	set screw	40097SS	1
27	poppet screw (round head)	40098SS	1
28	lock washer	40099SS	1
29	socket head cap screw	40100SS	1
30	cam arm spring pin	40101SS	2
31	main body	---	1
32	elbow body	---	1
33	bottom bearing	40106AC	1
34	top bearing	40108AC	1
35	washer	40109AC	1
36	flange retainer	40110ST	4
37	screw	40111SS	4
not illustrated	nose seal (for DBS63-200)	40170TF	1

Repair Kits

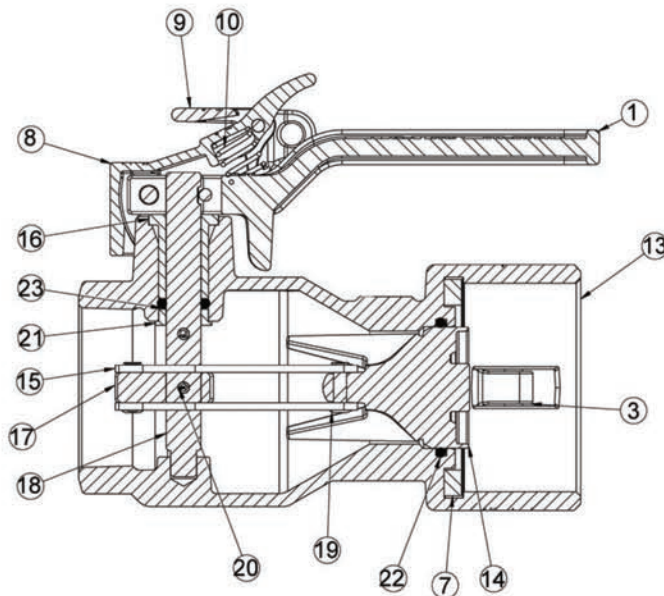
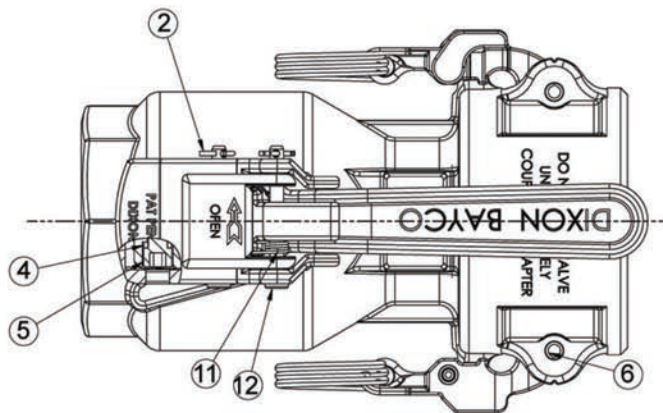
Part #	Description	Includes Item #
DBS61-200RK1	replacement seal kit, Buna crank shaft O-ring,PTFE stuffing box O-ring, Buna and Swivel body O-rings, Buna cam gasket, PTFE O-ring (for DBS61-200)	4A, 5, 13A, 19A, 24
DBS62-200RK1	replacement seal kit, FKM crank shaft O-ring,PTFE stuffing box O-ring, FKM body and swivel O-rings, FKM cam gasket, PTFE O-ring (for DBS62-200)	4B, 5, 13B, 19B, 24
DBS63-200RK1	replacement seal kit, Kamrez® crank shaft O-ring,PTFE stuffing box O-ring, PTFE/Silicone® body and swivel O-rings, PTFE/Silicone® cam gasket, PTFE O-ring (for DBS63-200)	4C, 5, 13C, 19C, 24
DBS61-200RK4	swivel rebuild kit, Buna body O-ring, top and bottom bearings, washer, flange retainers and screws (for DBS61-200)	13A, 33, 34, 35, 36, 37
DBS62-200RK4	swivel rebuild kit, FKM body O-ring, top and bottom bearings, washer, flange retainers and screws (for DBS62-200)	13B, 33, 34, 35, 36, 37
DBS63-200RK4	swivel rebuild kit, PTFE/Silicone® body O-ring, top and bottom bearings, washer, flange retainers and screws (for DBS63-200)	13C, 33, 34, 35, 36, 37
DBS61-200RK10	replacement swivel seal kit, Buna body O-ring, top and bottom bearings (for DBS61-200)	13A, 33, 34
DBS62-200RK10	replacement swivel seal kit, FKM body O-ring, top and bottom bearings (for DBS62-200)	13B, 33, 34
DBS63-200RK10	replacement swivel seal kit, PTFE/Silicone® body O-ring, top and bottom bearings (for DBS63-200)	13C, 33, 34
DBC61-200RK2	replacement Buna seal cylinder, PTFE buttons and PTFE bushing (for DBS61-200)	9A, 10, 12
DBC62-200RK2	replacement FKM seal cylinder, PTFE buttons and PTFE bushing (for DBS62-200)	9B, 10, 12
DBCx3-200RK2	replacement PTFE nose seal, PTFE buttons and PTFE bushing (for DBS63-200)	10, 12, + items not illustrated
DBCxx-200RK4	replacement link kit, link rivet, cotter pins, link washer, link arm and yoke (for all 2")	11, 14, 16, 17, 22, 23
DBCxx-200RK5	replacement stuffing box kit, stuffing box, PTFE O-ring and large crank shaft bearing (for all 2")	2, 5, 6
DBCxx-200RK6	replacement lever (handle) kit, lever, groove pin, lock washer and socket head cap screw (for all 2")	8, 15, 28, 29
DBCxx-200RK7	replacement crank shaft kit, crank shaft, cotter pin and washer (for all 2")	16, 21, 23
DBCxx-200RK8	main cylinder spring (for all 2")	25
DBCxx-200RK9	replacement poppet kit, poppet, round head screw, set screw & PTFE O-ring (for all 2")	20, 24, 26, 27
DBCL-200	optional add on padlockable lever kit, (handle) (for all 2")	not illustrated

Product instruction sheets and technical data can be viewed on our website at dixonbayco.com by selecting the "Resources" menu

Dry Disconnects

D2C Cam and Groove Actuator Style Dry Disconnects

1½" Stainless Couplers



1½" Stainless Coupler

Bill of Materials

D2C7x-150

Item #	Description	Part #	Qty
1	lever	40080SS	1
2	lever cotter pin	40088SS	2
3	EZ-Boss lock cam arm	40089SS	2
4	lock washer	40099SS	1
5	socket head screw	40100SS	1
6	cam arm spring pin	40101SS	2
7A	cam gasket Buna (for D2C71-150)	200-G-BU	1
7B	cam gasket FKM (for D2C72-150)	200-G-VI	1
7C	cam gasket PTFE/Silicone® (for D2C73-150)	200-G-TES	1
7D	cam gasket EPDM (for D2C74-150)	200-G-EPDM	1
8	lever latch	40225SS	1
9	lever lock	40226SS	1
10	lever lock compression spring	40230SS	1
11	lever lock torsion spring	40231SS	1
12	lever clevis pin	40232SS	2
13	body	--	1
14	poppet	40298SS	1
15	poppet link arm	40299SS	2
16	bearing	40289FG	1
17	poppet cam	40290SS	1
18	poppet lever shaft	40291SS	1
19	poppet link rivet	40292SS	2
20	poppet lever shaft spring pin	40293SS	2
21	spacer	40294SS	1
22	poppet O-ring PTFE/FKM	40295TV	1
23A	lever shaft O-ring Buna (for D2C71-150)	40296BN	1
23B	lever shaft O-ring FKM (for D2C72-150)	40296VI	1
23C	lever shaft O-ring Kalrez® (for D2C73-150)	40296KR	1
24D	lever shaft O-ring EPDM (for D2C74-150)	40296EP	1

2" Stainless Coupler

Bill of Materials

D2C7x-200

Item #	Description	Part #	Qty
1	lever	40080SS	1
2	lever cotter pin	40088SS	2
3	EZ-Boss lock cam arm	40089SS	2
4	lock washer	40099SS	1
5	socket head screw	40100SS	1
6	cam arm spring pin	40101SS	2
7A	cam gasket Buna (for D2C71-200)	250-G-BU	1
7B	cam gasket FKM (for D2C72-200)	250-G-VI	1
7C	cam gasket PTFE/Silicone® (for D2C73-200)	250-G-TES	1
7D	cam gasket EPDM (for D2C74-200)	250-G-EPDM	1
8	lever latch	40225SS	1
9	lever lock	40226SS	1
10	lever lock compression spring	40230SS	1
11	lever lock torsion spring	40231SS	1
12	lever clevis pin	40232SS	2
13	body	--	1
14	poppet	40298SS	1
15	poppet link arm	40299SS	2
16	bearing	40289FG	1
17	poppet cam	40300SS	1
18	poppet lever shaft	40291SS	1
19	poppet link rivet	40292SS	2
20	poppet lever shaft spring pin	40293SS	2
21	spacer	40294SS	1
22	poppet O-ring PTFE/FKM	40301TV	1
23A	lever shaft O-ring Buna (for D2C71-200)	40296BN	1
23B	lever shaft O-ring FKM (for D2C72-200)	40296VI	1
23C	lever shaft O-ring Kalrez® (for D2C73-200)	40296KR	1
24D	lever shaft O-ring EPDM (for D2C74-200)	40296EP	1

Product instruction sheets and technical data can be viewed on our website at dixonbayco.com by selecting the "Resources" menu