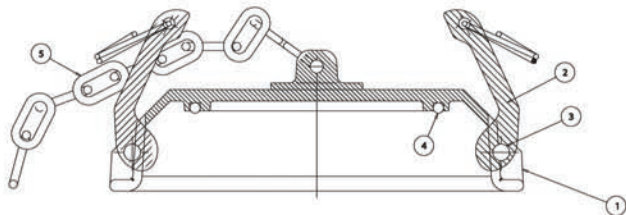


# Fuel Tanker Loading and Unloading

## 5000-24 API Dust Caps



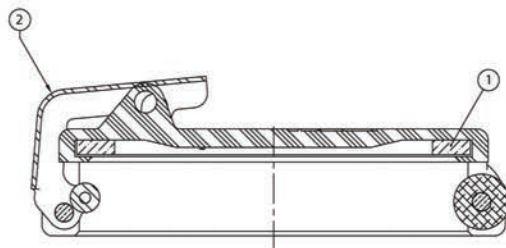
### Bill of Materials

Item #	Description	Part #	Qty
1	body	---	1
2	cam arm and ring	<b>ACAR34BZ</b>	2
3	cam arm pin	<b>L519-18</b>	2
4A	Baylast™ O-ring (standard)	<b>4500-5</b>	1
4B	FKM O-ring (optional)	<b>4500-7</b>	1
5	replacement 18" chain and S hook	<b>5205-RK4</b>	1

### Repair Kits

Part #	Description	Item #
<b>4500RK</b>	replacement cam arms, pins and Baylast™ O-ring seal (standard)	2, 3, 4A
<b>4500RK-V</b>	replacement cam arms, pins and FKM O-ring seal (optional)	2, 3, 4B
<b>5205-RK4</b>	replacement 18" chain and S hook	5

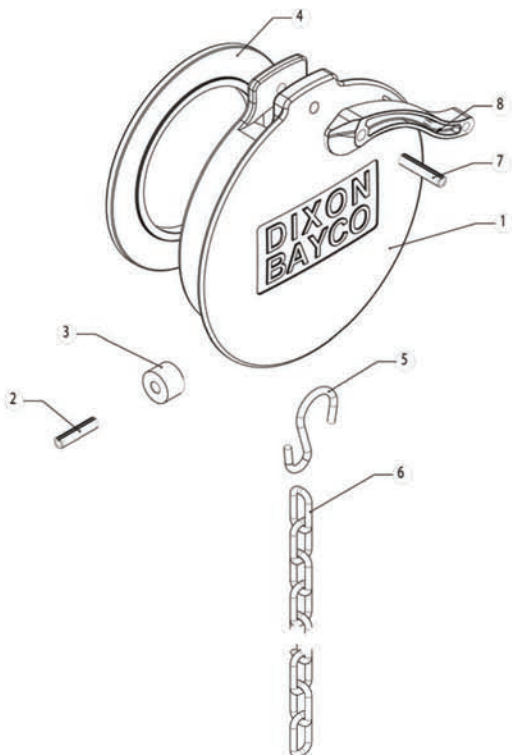
## 5000-25 API Dust Caps



### Bill of Materials

Item #	Description	Part #	Qty
1	gasket	<b>5000-25RK1</b>	1
2	cam arm sub assembly	<b>5000-25RK2</b>	1

## 5205 API Dust Caps



### Bill of Materials

Item #	Description	Part #	Qty
1	body	---	1
2	slotted pin	use kit <b>5205-RK3</b>	1
3	roller	use kit <b>5205-RK3</b>	1
4	gasket	<b>5205-RK1</b>	1
5	S hook	use kit <b>5205-RK4</b>	1
6	18" chain	use kit <b>5205-RK4</b>	1
7	spring pin	use kit <b>5205-RK2</b>	1
8	plastic cam arm	use kit <b>5205-RK2</b>	1

### Repair Kits

Part #	Description	Item #
<b>5205-RK1</b>	gasket replacement kit	4
<b>5205-RK2</b>	replacement cam arm and pin	7, 8
<b>5205-RK3</b>	replacement roller and pin	2, 3
<b>5205-RK4</b>	replacement chain and S hook	5, 6

Product instruction sheets and technical data can be viewed on our website at [dixonbayco.com](http://dixonbayco.com) by selecting the "Resources" menu