

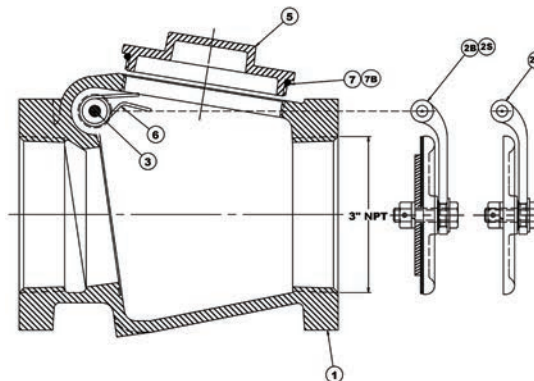
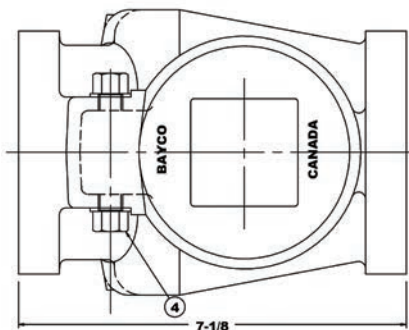
Cam and Groove In-Line Sight Glass

Replacement Parts

Part #	Description	<div style="display: flex; justify-content: space-around; font-size: small;"> 3544CA 3543CA 3534CA 3533CA 3544CC 3543CC 3533CC 3544AA 3534AA 3533AA </div>										
6000-24	3" adapter end	N/A	1	N/A	1	N/A	N/A	N/A	N/A	N/A	N/A	1
341351	3" adapter end with threaded bolt holes	N/A	N/A	N/A	N/A	N/A	N/A	N/A	N/A	N/A	1	1
6000-18	4" adapter end	1	N/A	1	N/A	N/A	N/A	N/A	2	1	N/A	
6000-23	3" coupler end	N/A	N/A	1	1	N/A	1	2	N/A	N/A	N/A	
6000-19	4" coupler end	1	1	N/A	N/A	2	1	N/A	N/A	N/A	N/A	
6400SGK	replacement sight glass kit (2 Buna O-rings and acrylic sight glass)	1	1	1	1	1	1	1	1	1	1	1
6544CA-1	sight glass spacers	4	4	4	4	4	4	4	4	4	4	4
AS156	Buna O-ring for sight glass	2	2	2	2	2	2	2	2	2	2	2
SC5-16-18X2.5P	bolts 5/16" x 2.50"	N/A	N/A	N/A	N/A	N/A	N/A	N/A	4	4	4	
SC5-16-18X2.75P	bolts 5/16" x 2.75"	4	4	4	4	4	4	4	N/A	N/A	N/A	
110978	hex nut 5/16"	4	4	4	4	4	4	4	N/A	N/A	N/A	
111430	helicoil nut 5/16"	N/A	N/A	N/A	N/A	N/A	N/A	N/A	4	N/A	N/A	
110977	lock washer (for nut end of bolt)	4	4	4	4	4	4	4	N/A	N/A	N/A	

Swing Check Valves

Bayco Classic 3000 Series 3" Swing Check Valves 3000 Threaded and 3001 Square Flange Units



Bill of Materials

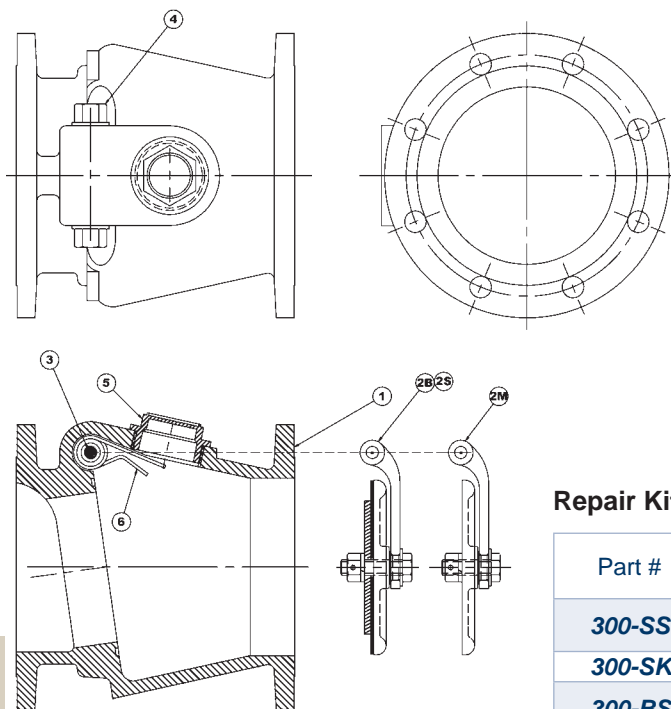
Item #	Description	Part #	Qty
1	swing check body	---	1
2M	valve flapper assembly with metal seal	use kit 300-SPK	1
2B	valve flapper assembly with Buna seal	use kit 300-BSPK	1
2S	valve flapper assembly with silicone seal	use kit 300-SSPK	1
3	shaft	3000-4	1
4	shaft nut	3000-5	2
5	clean out cap	363000-10	1
6	spring (for units with spring return flapper)	SPRG/L4603	1
7	clean out cap O-ring seal	O-RINGAS238	1
NEW 7B	clean out cap O-ring silicone	112254	1

Repair Kits

Part #	Description	Includes Item #
300-SSPK	silicone seal flapper assembly, shaft, nuts, flapper spring and clean out cap O-ring seal	2S, 3, 4, 6, 7B
300-SK	silicone seal flapper assembly, shaft, nuts and clean out cap O-ring seal	2S, 3, 4, 7B
300-BSPK	Buna seal flapper assembly, shaft, nuts, flapper spring and clean out cap O-ring seal	2B, 3, 4, 6, 7B
300-BK	Buna seal flapper assembly, shaft, nuts and clean out cap O-ring seal	2B, 3, 4, 7B
300-SPK	metal seal flapper assembly, shaft, nuts, flapper spring and clean out cap O-ring seal	2M, 3, 4, 6, 7B
300-K	metal seal flapper assembly, shaft, nuts and clean out cap O-ring seal	2M, 3, 4, 7B

Swing Check Valves

Bayco Classic 3000 Series 3" Swing Check Valves 3000 Round Flange Units



Bill of Materials

Item #	Description	Part #	Qty
1	swing check body	---	1
2M	valve flapper assembly with metal seal	use kit 300-SPK	1
2B	valve flapper assembly with Buna seal	use kit 300-BSPK	1
2S	valve flapper assembly with silicone seal	use kit 300-SSPK	1
3	shaft	3000-4	1
4	shaft nut	3000-5	2
5	clean out cap	3000CAP	1
6	spring (for units with spring return flapper)	SPRG/L4603	1

Repair Kits

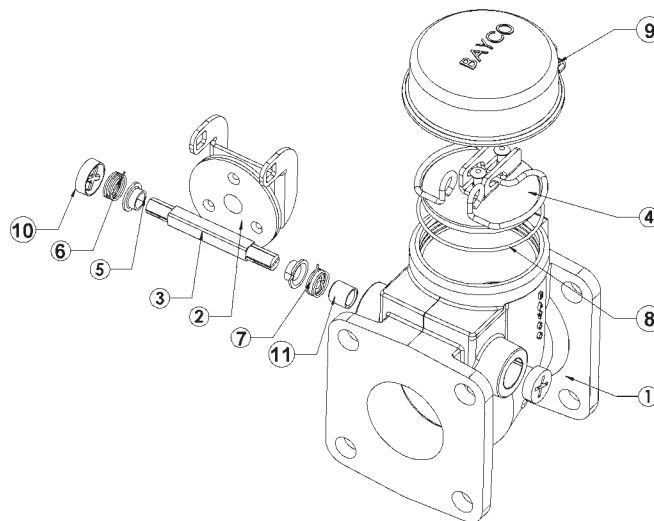
Part #	Description	Includes Item #
300-SSPK	silicone seal flapper assembly, shaft, nuts, flapper spring	2S, 3, 4, 6
300-SK	silicone seal flapper assembly, shaft, nuts	2S, 3, 4
300-BSPK	Buna seal flapper assembly, shaft, nuts, flapper spring	2B, 3, 4, 6
300-BK	Buna seal flapper assembly, shaft, nuts	2B, 3, 4
300-SPK	metal seal flapper assembly, shaft, nuts, flapper spring	2M, 3, 4, 6
300-K	metal seal flapper assembly, shaft, nuts	2M, 3, 4

Bayco High Flow 3020 Series 2" Swing Check Valves

Bill of Materials

Item #	Description	Part #	Qty
1	swing check body	---	1
2	valve flapper assembly, white EPDM	use kit 3020FA	1
3	shaft	390777	1
4	cover plate & retaining ring	use kit 3020CS	1
5	shaft bearing	111321	2
6	right spring	111324	1
7	left spring	111325	1
8	cover O-ring	111326	1
9	cap	3020C	1
10	threaded shaft plug	111443	2
11	shaft bushing	390784	2
**	flange close clearance nuts (2 provided with 3020SQ, due to close clearance between flange and body)	111485	2

** not illustrated



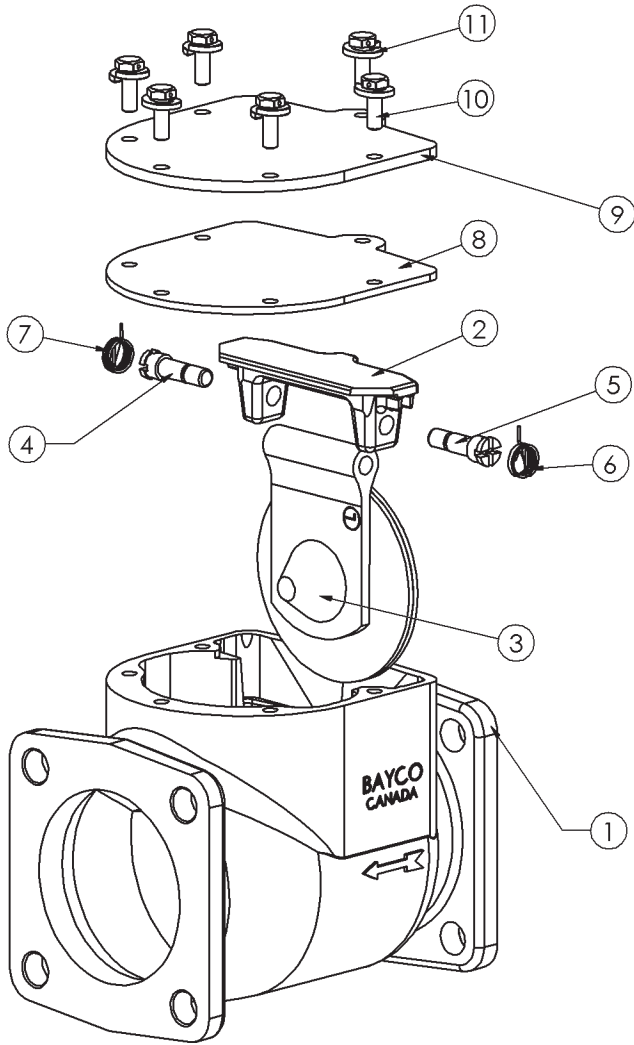
Repair Kits

Part #	Description	Includes Item #
3020CS	top cover plate kit, cover plate, spring clip assembly and O-ring seal	4, 8
3020FA	replacement white EPDM flapper kit, flapper assembly, shaft, shaft bearings, springs and shaft plugs	2, 3, 5, 6, 7, 10

Dry Bulk Replacement Parts

Swing Check Valves

Bayco High Flow 3030 Series 3" Swing Check Valves Round Flange, Square Flange, Threaded and Grooved Ends



Bill of Materials

Item #	Description	Part #	Qty
1	swing check body	---	1
2	flapper valve yoke	341595	1
3	valve flapper assembly with metal seal	use kit 3091RK1	1
4	right hand shaft	390798	1
5	left hand shaft	390799	1
6	left hand spring	use kit 3030RK3	1
7	right hand spring	use kit 3030RK3	1
8	cover gasket silicone	112257	1
9	cover	341611	1
10	bolt	use kit 3030HK	6
11	lock washer	use kit 3030HK	6

Dry Bulk
Replacement Parts

Repair Kits

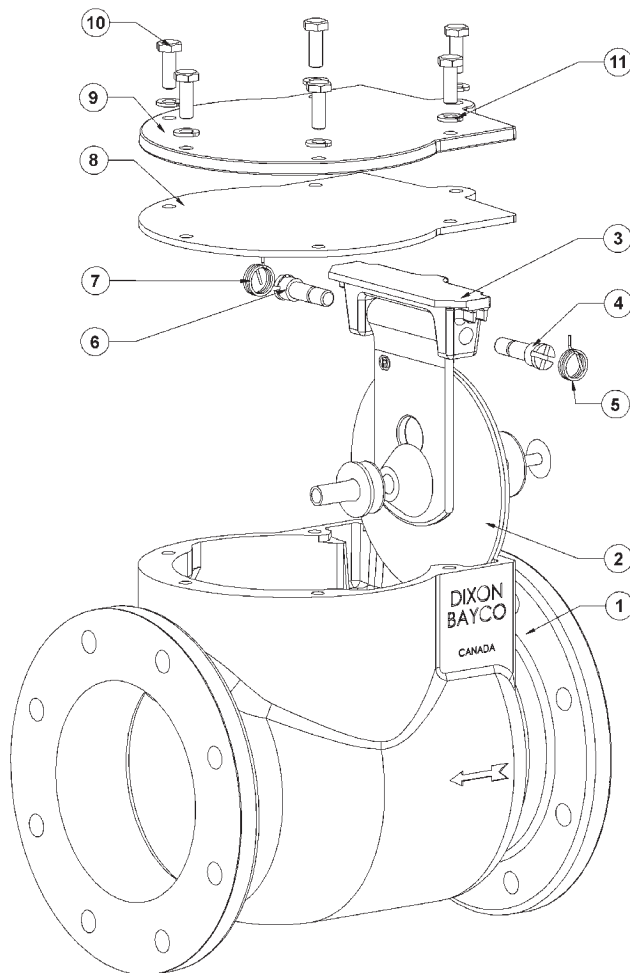
Part #	Description	Includes Item #
3090RK2	complete rebuild kit, silicone flapper assembly, yoke, springs, shafts, cover gasket, bolts and lock washers (for 3030RD-SSP, 3030SQ-SSP, 3030TE-SSP and 3030VIC-SSP)	2, 3A, 4, 5, 6, 7, 8, 10, 11
3091RK1	complete rebuild kit, metal seal flapper assembly, yoke, springs, shafts, cover gasket, bolts and lockwashers (for 3031RD, 3031SQ, 3031TE and 3031VIC)	2, 3B, 4, 5, 6, 7, 8, 10, 11
3030HK	replacement bolts and lockwashers	10, 11
3030RK3	replacement left and right springs	6, 7
3030SK	optional: anti-tamper security kit for swing check lid, 2 security bolts and wire seal	not illustrated

Swing Check Valves

Bayco High Flow 4040 Series 4" Swing Check Valves Round Flange and Threaded Units

Bill of Materials

Item #	Description	Part #	Qty
1	swing check body	---	1
2A	valve flapper assembly white EPDM (4040RD and 4040TE)	use kit 4040RK1	1
3	flapper valve yoke	341595	1
4A	left hand shaft (4040RD and 4040TE)	390799	1
4B	left hand shaft (4041RD, 4042RD, 4041TE, 4042TE)	390846	1
5A	left hand spring (4040RD and 4040TE)	use kit 3030RK3	1
5B	left hand spring (4041RD, 4042RD, 4041TE and 4042TE)	use kit 4041RK3	1
6A	right hand shaft (4040RD and 4040TE)	390798	1
6B	right hand shaft (4041RD, 4042RD, 4041TE & 4042TE)	390847	1
7A	right hand spring (4040RD and 4040TE)	use kit 3030RK3	1
7B	right hand spring (4041RD, 4042RD, 4041TE and 4042TE)	use kit 4041RK3	1
8	cover gasket	111215	1
9	cover	340039	1
10	bolt	use kit 3030HK	6
11	lock washer	use kit 3030HK	6



Repair Kits

Part #	Description	Includes Item #
4040RK1	replacement white EPDM flapper kit, flapper assembly, yoke, springs, shafts, cover gasket (for 4040RD and 4040TE)	2A, 3, 4A, 5A, 6A, 7A, 8
4041RK1 ¹	complete rebuild kit, metal seat flapper assembly, yoke, springs, shafts, cover gasket, bolts and lock washers (for 4041RD and 4041TE)	2B, 3, 4B, 5B, 6B, 7B, 8, 10, 11
4042RK1 ¹	complete rebuild kit, red silicone flapper assembly, yoke, springs, shafts, cover gasket, bolts and lock washers (for 4042RD and 4042TE)	2C, 3, 4A, 5A, 6A, 7A, 8, 10, 11
3030HK	replacement bolts and lock washers	10, 11
3030RK3	replacement left and right springs (for 4040RD and 4040TE)	5A, 7A
4041RK3	replacement left and right springs (for 4041RD, 4041TE, 4042RD and 4042TE)	5B, 7B
3030SK	optional: anti-tamper security kit for swing check lid, 2 security bolts and wire seal	not illustrated

¹ Kits 4041RK1, and 4042RK1 contain 2 sets of shafts and springs. Swing check valves manufactured after March 2007 should use the larger axial shafts and larger torsion springs. Swing check valves manufactured prior to March 2007 will require the use of the shorter axial shafts and the smaller torsion springs.

The smaller torsion springs will not return the flappers contained in the 4041RK1 and 4042RK1 kits to a fully closed position if the valve is mounted vertically or upside down. Ensure that these mounting positions are avoided if the smaller springs are used with the 4041RK1, and 4042RK1 kits.

