

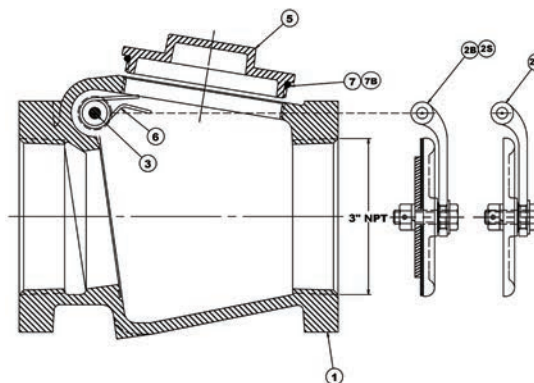
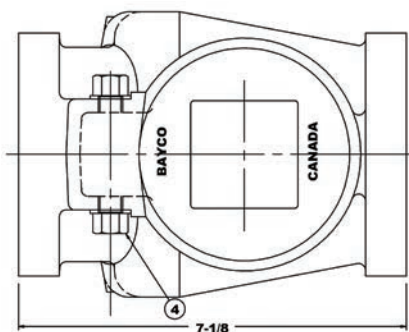
# Cam and Groove In-Line Sight Glass

## Replacement Parts

Part #	Description	<div style="display: flex; justify-content: space-around; font-size: small;"> <span>3544CA</span> <span>3543CA</span> <span>3534CA</span> <span>3533CA</span> <span>3544CC</span> <span>3543CC</span> <span>3533CC</span> <span>3544AA</span> <span>3534AA</span> <span>3533AA</span> </div>										
6000-24	3" adapter end	N/A	1	N/A	1	N/A	N/A	N/A	N/A	N/A	N/A	1
341351	3" adapter end with threaded bolt holes	N/A	N/A	N/A	N/A	N/A	N/A	N/A	N/A	N/A	1	1
6000-18	4" adapter end	1	N/A	1	N/A	N/A	N/A	N/A	2	1	N/A	
6000-23	3" coupler end	N/A	N/A	1	1	N/A	1	2	N/A	N/A	N/A	
6000-19	4" coupler end	1	1	N/A	N/A	2	1	N/A	N/A	N/A	N/A	
6400SGK	replacement sight glass kit (2 Buna O-rings and acrylic sight glass)	1	1	1	1	1	1	1	1	1	1	1
6544CA-1	sight glass spacers	4	4	4	4	4	4	4	4	4	4	4
AS156	Buna O-ring for sight glass	2	2	2	2	2	2	2	2	2	2	2
SC5-16-18X2.5P	bolts 5/16" x 2.50"	N/A	N/A	N/A	N/A	N/A	N/A	N/A	4	4	4	
SC5-16-18X2.75P	bolts 5/16" x 2.75"	4	4	4	4	4	4	4	N/A	N/A	N/A	
110978	hex nut 5/16"	4	4	4	4	4	4	4	N/A	N/A	N/A	
111430	helicoil nut 5/16"	N/A	N/A	N/A	N/A	N/A	N/A	N/A	4	N/A	N/A	
110977	lock washer (for nut end of bolt)	4	4	4	4	4	4	4	N/A	N/A	N/A	

## Swing Check Valves

### Bayco Classic 3000 Series 3" Swing Check Valves 3000 Threaded and 3001 Square Flange Units



#### Bill of Materials

Item #	Description	Part #	Qty
1	swing check body	---	1
2M	valve flapper assembly with metal seal	use kit <b>300-SPK</b>	1
2B	valve flapper assembly with Buna seal	use kit <b>300-BSPK</b>	1
2S	valve flapper assembly with silicone seal	use kit <b>300-SSPK</b>	1
3	shaft	<b>3000-4</b>	1
4	shaft nut	<b>3000-5</b>	2
5	clean out cap	<b>363000-10</b>	1
6	spring (for units with spring return flapper)	<b>SPRG/L4603</b>	1
7	clean out cap O-ring seal	<b>O-RINGAS238</b>	1
<b>NEW</b> 7B	clean out cap O-ring silicone	<b>112254</b>	1

#### Repair Kits

Part #	Description	Includes Item #
<b>300-SSPK</b>	silicone seal flapper assembly, shaft, nuts, flapper spring and clean out cap O-ring seal	2S, 3, 4, 6, 7B
<b>300-SK</b>	silicone seal flapper assembly, shaft, nuts and clean out cap O-ring seal	2S, 3, 4, 7B
<b>300-BSPK</b>	Buna seal flapper assembly, shaft, nuts, flapper spring and clean out cap O-ring seal	2B, 3, 4, 6, 7B
<b>300-BK</b>	Buna seal flapper assembly, shaft, nuts and clean out cap O-ring seal	2B, 3, 4, 7B
<b>300-SPK</b>	metal seal flapper assembly, shaft, nuts, flapper spring and clean out cap O-ring seal	2M, 3, 4, 6, 7B
<b>300-K</b>	metal seal flapper assembly, shaft, nuts and clean out cap O-ring seal	2M, 3, 4, 7B