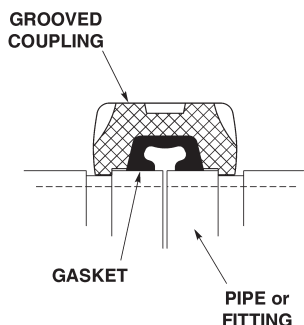


Grooved Pipe Connections



Application:	Designed to join two pieces of pipe together. The two pipes are butted to one another each pipe has a groove that runs the circumference of the pipe exterior. The grooved clamp has ridges that lock into the two pipe grooves and a gasket is compressed to the pipes to create a leak-tight seal. Grooved clamps are often used on pipe connections on dry bulk tankers in place of welding offering the ability to adjust, change or replace pipe sections without the need for a permanent joint such as a weld.
Standards:	Manufactured to fit new and existing grooved pipe connections
Materials:	Aluminum or coated ductile iron bodies with steel bolts/nuts, Buna seals
Features & Benefits:	<ul style="list-style-type: none"> • Constructed of rugged cast aluminum or iron • Maintenance is easy to perform

Aluminum Bolt Clamps



DBV-WB400

Features & Benefits:	<ul style="list-style-type: none"> • Lightweight yet rugged • Unlike steel groove clamps that secure the pipe ends with high clamping force against the tubing/piping walls, the Dixon® aluminum bolted clamp takes the full bolt force and locks into the groove of the tube/pipe, preventing distortion of the tube/pipe diameter • Precision casting and machined dimensions provide an exact fit and great appearance • Lock nuts prevent loosening in applications with vibration • White Buna seal for food applications
---------------------------------	---

Size	Seal	Part #	Maximum PSI	Approximate Weight (lbs)	Bolt Torque (ft lbs)
4"	White Buna	DBV-WB400	120	1.5	50

Painted Iron Groove x Groove Bolt Clamps



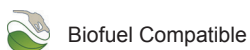
Applications:	Designed for applications requiring moderate internal pressure or where weight is a factor. Suitable for sand applications.
Materials:	Ductile iron, rust inhibiting paint
Features & Benefits:	<ul style="list-style-type: none"> • Ensures a leak-tight connection

Size	Description	Part #
2"	painted iron groove x groove clamp with Buna seal	L02BU
3"	painted iron groove x groove clamp with Buna seal	L03BU
4"	painted iron groove x groove clamp with Buna seal	L04BU
5"	painted iron groove x groove clamp with Buna seal	L05BU

Replacement Gaskets



Size	Description	Part #
2"	Buna grooved coupling replacement gasket	G200T
3"	Buna grooved coupling replacement gasket	G300T
4"	Buna grooved coupling replacement gasket	G400T
4"	white Buna N gasket	G400N
5"	Buna grooved coupling replacement gasket	G500T



Biofuel Compatible