



DISPENSERS



PUMPS



METERS



METERED NOZZLES



NOZZLES

K24

FEATURES

- FLOW RATE INDICATION
- STANDARD AAA BATTERIES
- ROTATABLE DISPLAY
- LOW BATTERY CONSUMPTION
- RUBBER PROTECTION

The K24 is Piusi's exclusive turbine meter. Its compact design, accuracy and versatility makes this flow meter excellent in measuring DEF.

PERFORMANCE

± 1%

ACCURACY

145 PSI

PRESSURE

**UP TO
26.4 GPM**

FLOW RATE



K24



K24 PULSE METER



PACKAGING

PART #	WEIGHT		PACKAGING		
	KG	LBS	MM	INCH	PCS/BOX
FOO407340	0.4	0.9	BLISTER	BLISTER	1
FOO40721B	0.4	0.9	115X160X135	4.5X3X5.3	1



FILTRATION



FLUID MONITORING



HOSE REELS



ACCESSORIES



AIR



ANTIFREEZE



DEF



BIODIESEL



DIESEL



FOOD



GASOLINE



GREASE



KEROSENE



OIL

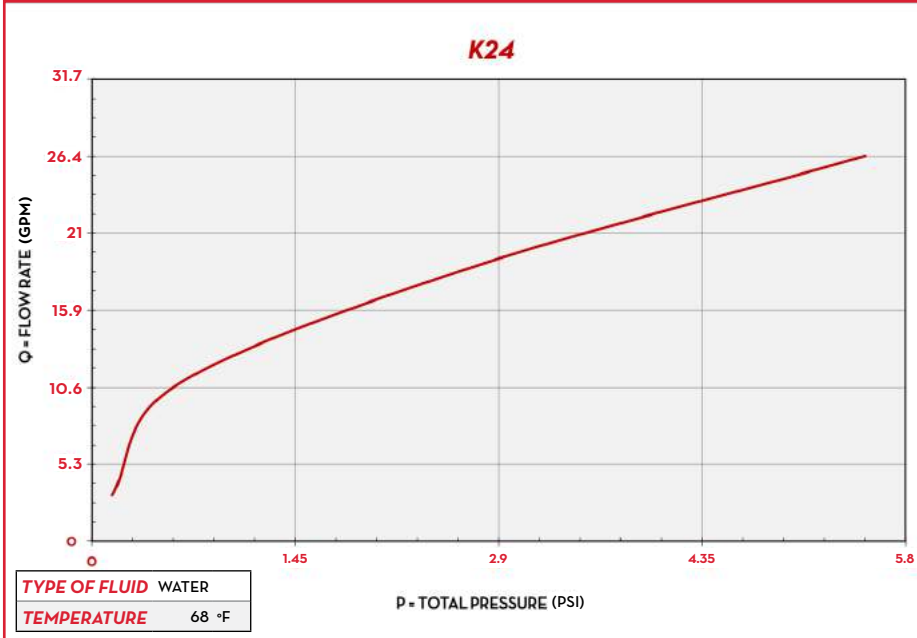


WATER



WINDSCREEN

CHARTS



IN THE BOX

- K24 METER
- STAINLESS STEEL SOCKET
- INSTRUCTION MANUAL

DETAILS

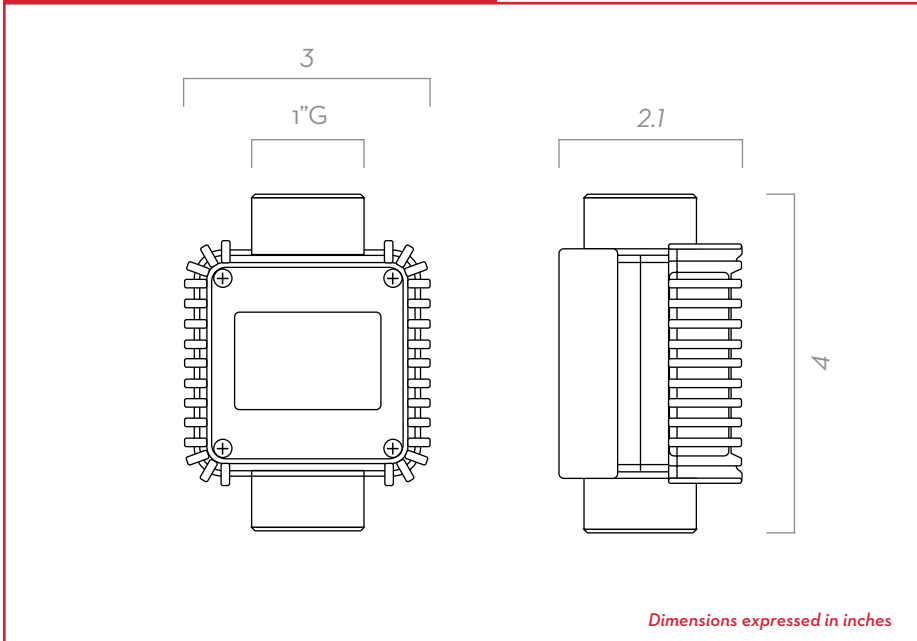


TURBINE



ROTATABLE DISPLAY

DIMENSIONS



MATERIALS

- BODY: TECHNOPOLYMER
- TURBINE: TECHNOPOLYMER

TECHNICAL DATA

PART #	DESCRIPTION	FLUIDS TYPE	FLOW RATE		PRESSURE		DISPLAY	PULSE OUT (P/L)	
			L/MIN	GPM	BAR	PSI		PULSE VERSION	DISPLAY VERSION
FOO40734O	K24 DEF METER 1" BSP - M/MF		5 · 120	1.3-26.4	10	145	YES	-	-
FOO40721B	K24 DEF PULSE METER 1" BSP - M/MF		5 · 120	1.3-26.4	10	145	NO	88	-