



DISPENSERS



PUMPS



METERS



METERED NOZZLES



NOZZLES

SB325_X

FEATURES

- HEAVY DUTY
- VERSATILE
- BREAK-AWAY SYSTEM
- ERGONOMIC DESIGN

The Piusi SB325_X is the patented automatic nozzle by Piusi for DEF, equipped with break-away system and stainless steel spout. Designed in compliance with International Standards ISO/ FDIS 22241-4:2009, it also features a reliable, ergonomic, and flexible shell that protects the nozzle against weathering and UV radiation.

Safety is guaranteed by the break-away system. In the event that a vehicle accidentally drives away with the nozzle still in the tank, the spout is designed to detach from the nozzle. This system also allows for a quick repair by merely fitting a new spout onto the nozzle.

PERFORMANCE

UP TO

12 GPM

FLOW RATE

50 PSI

PRESSURE



SB325_X



PACKAGING

PART #	WEIGHT		PACKAGING		
	KG	LBS	MM	INCH	PCS/BOX
FOO61700A	0.7	1.5	447X178X85	17.6X7X2.5	1



FILTRATION



FLUID MONITORING



HOSE REELS



ACCESSORIES



AIR



ANTIFREEZE



DEF



BIODIESEL



DIESEL



FOOD



GASOLINE



GREASE



KEROSENE



OIL

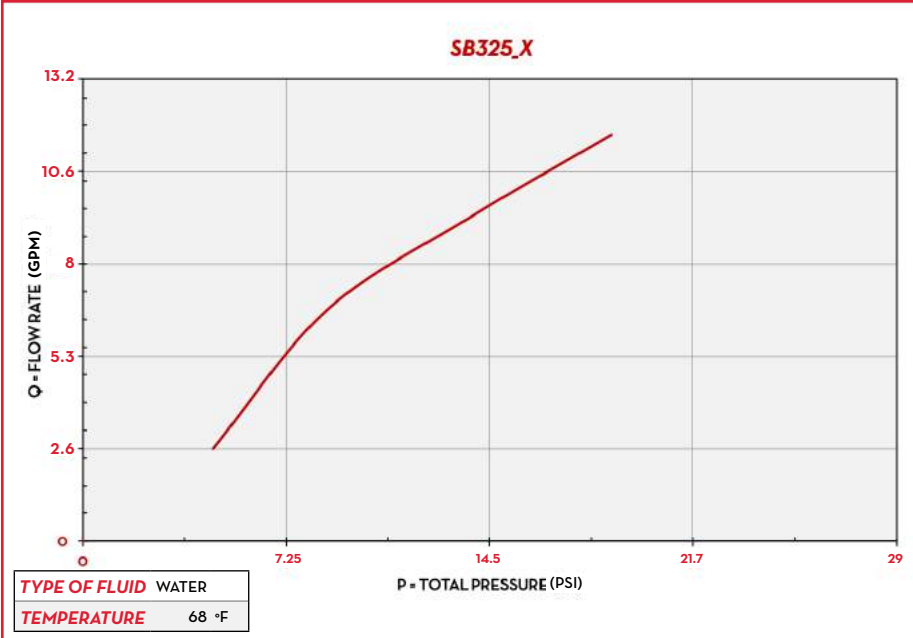


WATER



WINDSCREEN

CHARTS



IN THE BOX

- SB325_X
- INSTRUCTION MANUAL

DETAILS

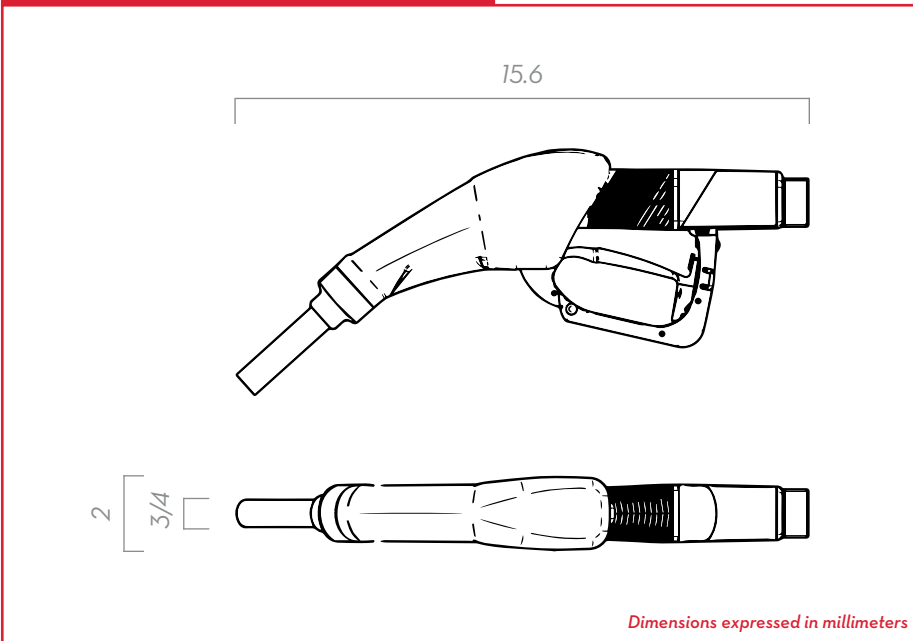


BREAK-AWAY SYSTEM



STAINLESS STEEL SPOUT

DIMENSIONS



MATERIALS

- SPOUT: STAINLESS STEEL
- BODY: TECHNOPOLYMER

TECHNICAL DATA

PART #	DESCRIPTION	FLUIDS TYPE	FLOW RATE		MAGNETIC ADAPTER	METER	PRESSURE	INLET	SWIVEL	SPOUT
			L/MIN	GPM			BAR			EXT. Ø
FOO61700A	SB325 AUTOMATIC DEF NOZZLE		45	12	NO	NO	50.7	3/4"	YES	3/4"