

# HAMMER UNION



# PIPE COUPLINGS

FIGURE 602 THREADED 6000 PSI CWP

FIGURE 602 BUTT WELD 6000 PSI CWP



FIGURE 602

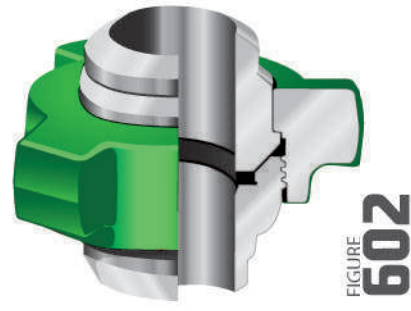


FIGURE 602

Size	6,000 PSI CWP			
	Weight Each (lbs)	Standard Carton	Part #	List
1"	13.23	4	HU602-100T	
2"	22.27	2	HU602-200T	
3"	31.31	2	HU602-300T	
4"	22.27	2	HU602-400T	

Size	6,000 PSI CWP			
	Weight Each (lbs)	Standard Carton	Part #	List
1"	---	---	---	
2"	12.65	2	HU602-200BW	
3"	20.81	2	HU602-300BW	
4"	12.65	2	HU602-400BW	

FIGURE 1002 THREADED 10000 PSI CWP

FIGURE 1002 BUTT WELD 10000 PSI CWP

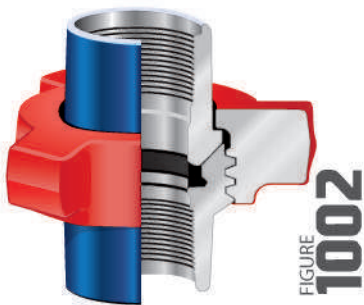


FIGURE 1002

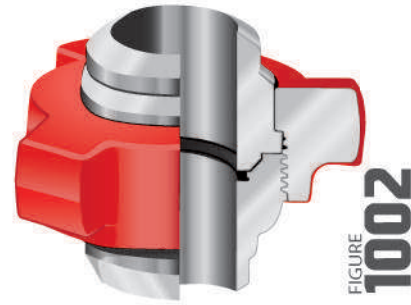


FIGURE 1002

Size	10,000 PSI CWP			
	Weight Each (lbs)	Standard Carton	Part #	List
2"	5.25	4	HU1002-200T	
3"	12.65	2	HU1002-300T	
4"	5.25	4	HU1002-400T	

Size	10,000 PSI CWP			
	Weight Each (lbs)	Standard Carton	Part #	List
2"	5.25	4	HU1002-200BW	
3"	12.65	2	HU1002-200BW	
4"	80.03	1	HU1002-200BW	

FIGURE 1502 THREADED 15000 PSI CWP

FIGURE 1502 BUTT WELD 15000 PSI CWP



FIGURE 1502

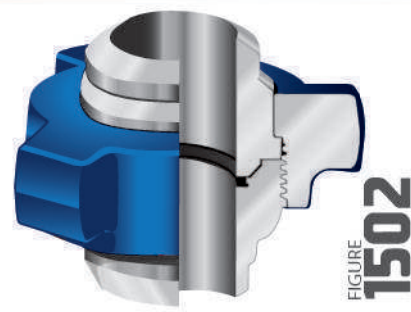


FIGURE 1502

Size	15,000 PSI CWP			
	Weight Each (lbs)	Standard Carton	Part #	List
2"	5.25	4	HU1502-200T	
3"	12.65	2	HU1502-300T	
4"	---	---	---	

Size	15,000 PSI CWP			
	Weight Each (lbs)	Standard Carton	Part #	List
2"	5.25	4	HU1502-200BW	
3"	12.65	2	HU1502-300BW	
4"	80.03	1	HU1502-400BW	

PIPE FITTINGS/  
VALVES

