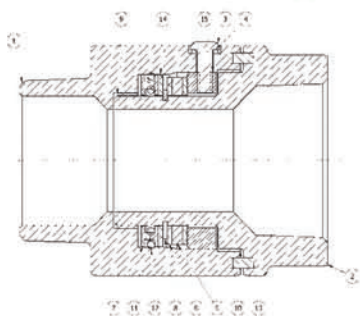
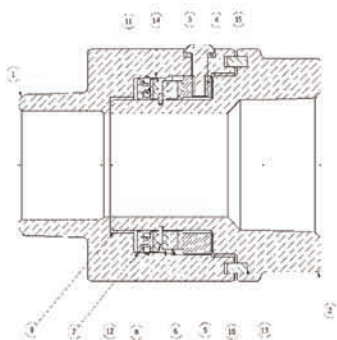


Fuel Nozzles

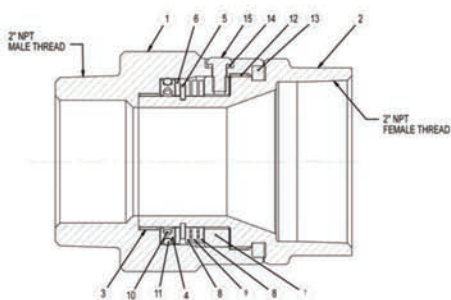
SWMF125, SWMF150 and SWMF200 Swivels



SWMF150



SWMF125



SWMF200

Petroleum Replacement Parts

Bill of Materials SWMF125 & SWMF150

Item #	Description	Part #	Qty
1	female body	---	1
2	male body	---	1
3	screw	use kit SWMF-RK3	1
4	lock washer	use kit SWMF-RK3	1
5	thrust bearing	use kit SWMF-RK3	1
6	thrust washer	use kit SWMF-RK3	2
7	O-ring holder	use kit SWMF-RK2 or SWMF-RK3	1
8	retaining ring	use kit SWMF-RK3	1
9	front bearing	use kit SWMF-RK2 or SWMF-RK3	1
10	rear bearing	use kit SWMF-RK2 or SWMF-RK3	1
11	O-ring	use kit SWMF-RK2 or SWMF-RK3	1
12	O-ring	use kit SWMF-RK2 or SWMF-RK3	1
13	felt ring	use kit SWMF-RK2 or SWMF-RK3	1
14	support washer	use kit SWMF-RK3	1
15	support ring	use kit SWMF-RK3	1

Bill of Materials SWMF200

Item #	Description	Part #	Qty
1	female body	---	1
2	male body	---	1
3	front bearing	use kit SWMF-RK22 or SWMFRK32	1
4	O-ring holder	use kit SWMF-RK22 or SWMFRK32	1
5	retaining ring	use kit SWMF-RK32	1
6	support washer	use kit SWMF-RK32	1
7	support ring	use kit SWMF-RK32	1
8	thrust washer	use kit SWMF-RK32	2
9	thrust bearing	use kit SWMF-RK32	1
10	O-ring	use kit SWMF-RK22 or SWMFRK32	1
11	large O-ring	use kit SWMF-RK22 or SWMFRK32	1
12	rear bearing	use kit SWMF-RK22 or SWMFRK32	1
13	felt ring	use kit SWMF-RK22 or SWMFRK32	1
14	lock washer	use kit SWMF-RK32	3
15	screw	use kit SWMF-RK32	3

Repair Kits

Part #	Description	Includes Item #
SWMF-RK1	swivel grease nipple kit	---
SWMF-RK2	swivel seal and wear kit	7, 9, 10, 11, 12, 13
SWMF-RK3	complete swivel rebuild kit	3, 4, 5, 6, 7, 8, 9, 10, 11, 12, 13, 14, 15
SWMF-RK22	swivel seal and wear kit	3, 4, 10, 11, 12, 13
SWMF-RK32	complete rebuild kit	3, 4, 5, 6, 7, 8, 9, 10, 11, 12, 13, 14, 15

Hose Shank and Check Valve Swivels



Check Valve NPT Swivel

1280 - 1 1/4" MNPT x 1 1/4" FNPT

1580U - 1 1/2" MNPT x 1 1/2" FNPT

1580R - 1 1/4" MNPT x 1 1/2" FNPT

Hose x MNPT Swivel

1265 - 1 1/4" MNPT x 1 1/4" hose shank

1565U - 1 1/2" MNPT x 1 1/2" hose shank

1570 - 1 1/2" MNPT x 1 3/8" hose shank

Repair Kits

Part #	Description
1200SK	replacement seal kit & retaining ring for 1280, 1265 and 1580R
1500SK	replacement seal kit & retaining ring for 1565U, 1580U
1570RK	replacement seal kit and retaining ring for 1570

500AV and 525AV Angle Valves



Repair Kit

Part #	Description
500K	replacement stem guide assembly, plunger assembly, O-ring and cotter pin

Product instruction sheets and technical data can be viewed on our website at dixonbayco.com by selecting the "Resources" menu