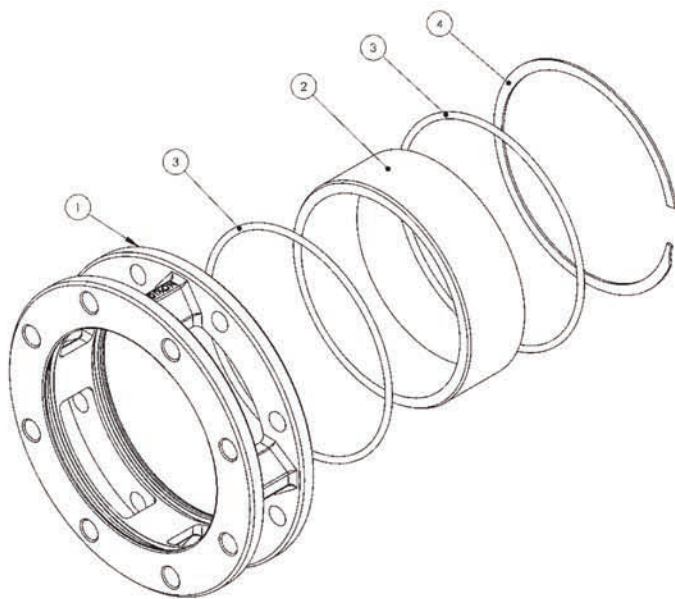


Fuel Delivery

5200-SFI Series, Sight Glass



Bill of Materials

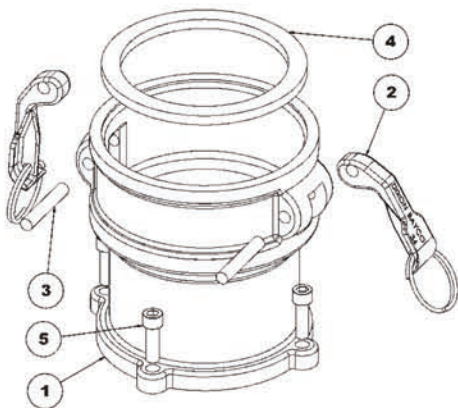
| Item # | Description | Part # | 5200-SFI | 5200-SFI-3 | 5201-SFI |
|--------|--------------------|----------------------|----------|------------|----------|
| 1 | body | --- | 1 | 1 | 1 |
| 2 | sight glass | use repair kit below | 1 | 1 | 1 |
| 3A | 3" Baylast™ O-ring | use repair kit below | n/a | 1 | n/a |
| 3B | 4" Baylast™ O-ring | use repair kit below | 2 | n/a | 2 |
| 4A | 3" retainer ring | use repair kit below | n/a | 1 | n/a |
| 4B | 4" retaining ring | use repair kit below | 1 | n/a | 1 |

Repair Kits

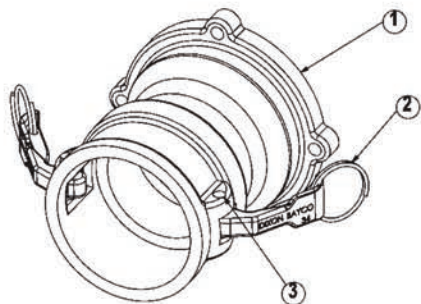
| Part # | Description | Includes Item # |
|-----------------------|--|-----------------|
| 5200-SFI-3-RK1 | sight glass repair kit for 3" 5200-SFI-3 | 1, 2, 3A, 4A |
| 5200-SFI-RK1 | sight glass repair kit for 4" 5200-SFI | 1, 2, 3B, 4B |
| 5201-SFI-RK1 | sight glass repair kit for 4" 5201-SFI | 1, 2, 3B, 4B |

Drop Elbow Inlets

Fits 6000, 6200, and 6500 Series Elbows
6000-14 and 6000-15 Female Coupler Inlets



6000-14



6000-15

Bill of Materials

| Item # | Description | Part # | Qty |
|--------|---------------------|-------------------------|-----|
| 1 | body | --- | 1 |
| 2 | cam arm and ring | ACAR34BZ | 2 |
| 3A | 4" cam arm pin | L519-12 | 2 |
| 3B | 3" cam arm pin | L519-19 | 2 |
| 4A | 4" gasket (6000-14) | 400-G-BF | 1 |
| 4B | 3" gasket (6000-15) | 300-G-BF | 1 |
| 5 | hex screw | use kit 6000NPHK | 4 |
| 6 | lock washer | use kit 6000NPHK | 4 |

Repair Kits

| Part # | Description | Includes Item # |
|-----------------|--|-----------------|
| 6000NPHK | replacement hex screws and lockwashers | 5, 6 |

Product instruction sheets and technical data can be viewed on our website at dixonbayco.com by selecting the "Resources" menu