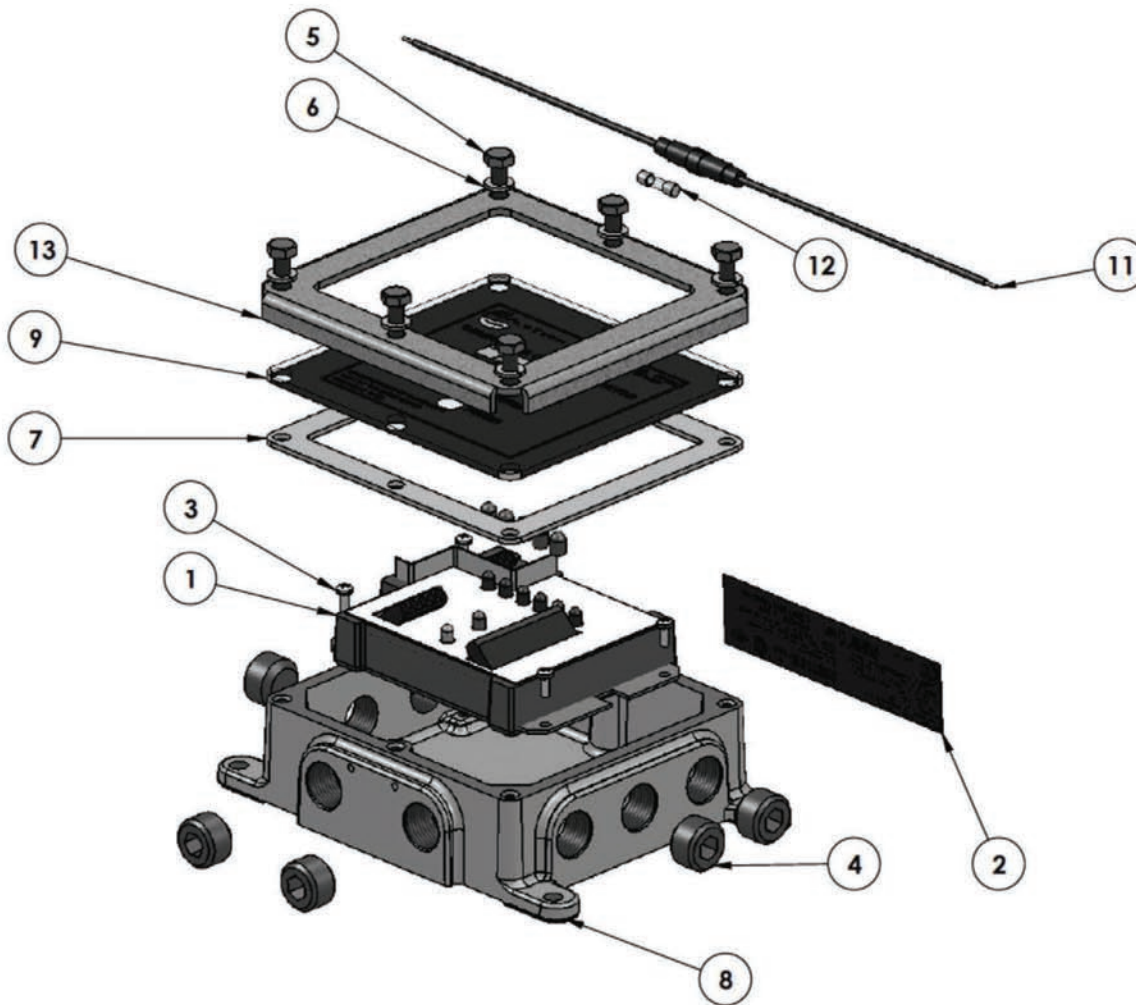


# Fuel Tanker Overfill Detection

## FT102/FT103 5 Wire, API Optic On-Board Monitor



### Bill of Materials

Item #	Description	Part #	FT102	FT103
1	5 wire onboard monitor assembly	10077	1	1
2	chrome mylar label	10079	n/a	1
3	stainless steel screw	10086	4	4
4	polypropylene pipe plug	10103	n/a	5
5	stainless steel screw	10110	6	6
6	stainless steel lockwasher - 1/4"	10111	6	6
7	neoprene gasket	10131 (was FT9053)	1	1
8	aluminum onboard monitor housing	10136	n/a	1
9	acrylic bezel	10142 (was FT9005)	1	1
10	PVC L.E.D. cover	10207	5	5
11	plastic fuse holder	10356	1	1
12	brass/glass fuse - 1/4 amp	10357 (was FT9039)	1	1
13	aluminum frame lid	10470AL	1	1

### Repair Kits

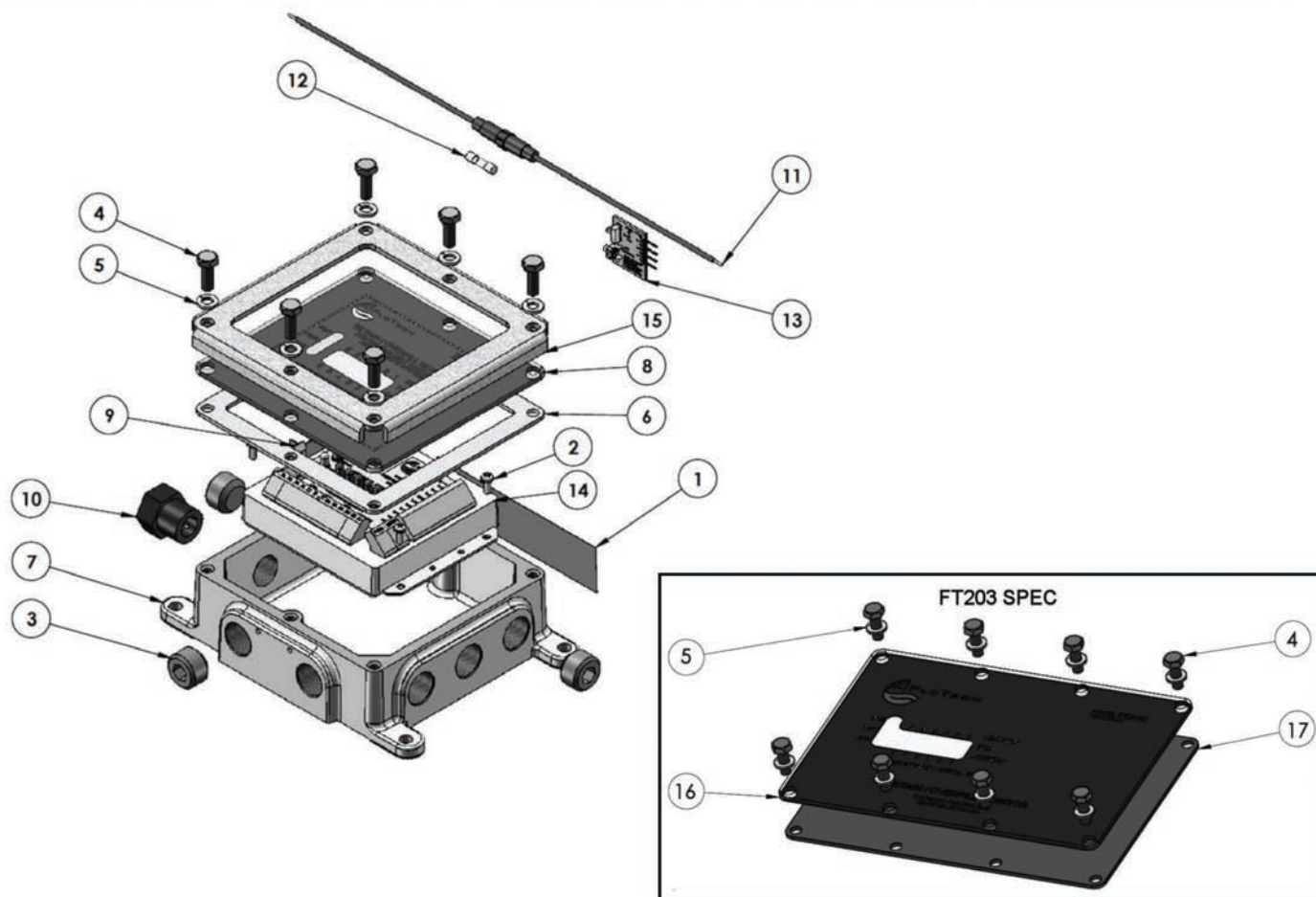
Part #	Description	Includes Item #
FT9003	replacement monitor housing	3-10, 13
FT9004	replacement monitor hardware kit	5, 6, 7, 9, 13
FT9030	replacement fuse holder with 1/4 amp fuse	11, 12

Product instruction sheets and technical data can be viewed on our website at [dixonbayco.com](http://dixonbayco.com) by selecting the "Resources" menu

Overfill Replacement Parts

# Fuel Tanker Overfill Detection

## FT203/FT204 Series R/OM Type Red & Black 2 Wire, Onboard Monitor



### Bill of Materials

Item #	Description	Part #	FT203P	FT203SPEC	FT204P
1	chrome mylar label	10078	n/a	n/a	1
2	stainless steel screw	10086	4	4	4
3	polypropylene pipe plug	10103	n/a	n/a	3
4	stainless steel screw	10110	6	8	6
5	stainless steel lock washer - 1/4"	10111	6	8	6
6	neoprene gasket	10131 (was FT9053)	1	n/a	1
7	aluminum onboard monitor housing	10136	n/a	n/a	1
8	acrylic bezel	10143 (was FT9006)	1	n/a	1
9	jumper - cross connector	10196	1	1	1
10	reset switch assembly	10200A	n/a	n/a	1
11	plastic fuse holder	10356	1	1	1
12	brass/glass fuse - 1/2 amp	10358 (was FT9039)	1	1	1
13	programming board assembly	10459 (was FT9035)	1	1	1
14	OBM assy potted	10460	1	1	1
15	aluminum frame lid	10470AL (was FT9054)	1	n/a	1
16	bezel for Civacon 3250 & 3252 boxes	10520PL	n/a	1	n/a
17	neoprene gasket for 10520PL	10521NP (was FT9065)	n/a	1	n/a

### Repair Kits

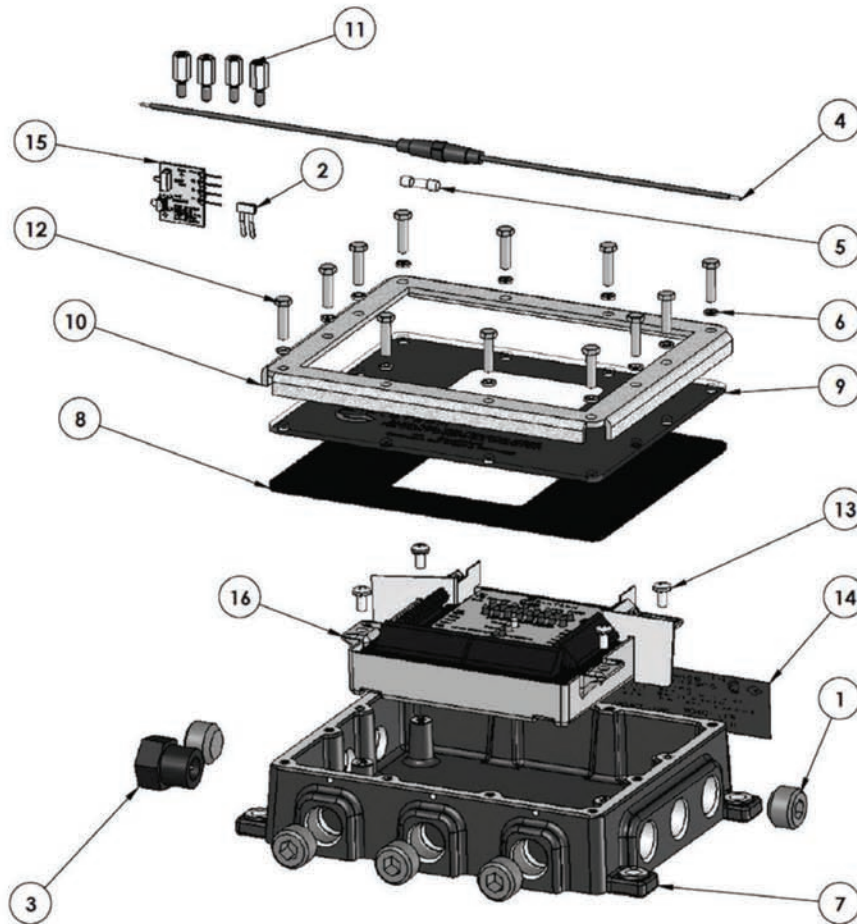
Part #	Description	Includes Item #
<b>FT9003</b>	replacement monitor housing	2-8, 15
<b>FT9004</b>	replacement monitor hardware kit	4-6, 8, 15
<b>FT9031</b>	replacement fuse holder with 1/2 amp fuse	11, 12
<b>FT9059</b>	replacement faceplate and bezel for FT204P	4, 5, 6, 8, 15
<b>FT9064</b>	replacement gasket and bezel for FT203 SPEC	16, 17

Product instruction sheets and technical data can be viewed on our website at [dixonbayco.com](http://dixonbayco.com) by selecting the "Resources" menu



# Fuel Tanker Overfill Detection

## FT207/FT208 Series Checkmate Black & White 2 Wire, Programmable Onboard Monitor



### Bill of Materials

Item #	Description	Part #	FT207	FT208
1	polypropylene pipe plug	10103	n/a	5
2	jumper - cross connector	10196	1	1
3	reset switch assembly	10200A	n/a	1
4	plastic fuse holder	10356	1	1
5	brass/glass fuse - 1/2 amp	10358 (was FT9039)	1	5
6	stainless steel lock washer	10375SS	12	12
7	aluminum box	10430AL	n/a	1
8	neoprene gasket	10432NP (was FT9045)	1	1
9	acrylic bezel	10433PL (was FT9036)	1	1
10	aluminum frame	10434AL	1	1
11	aluminum standoff (Only used in older units)	10435AL	n/a	4
12	stainless steel screw	10436SS	12	12
13	stainless steel screw - stems	10437SS	4	4
14	chrome mylar label	10438A	n/a	1
15	programming board assembly	10459 (was FT9035)	1	1
16	potted OBM	10465	1	1

### Repair Kits

Part #	Description	Includes Item #
FT9031	replacement fuse holder with 1/2 amp fuse	11, 12
FT9036	replacement lid, bezel, screws & lockwashers	6, 8, 9, 10, 12
FT9040	replacement Checkmate housing with lid	1, 6-13

Product instruction sheets and technical data can be viewed on our website at [dixonbayco.com](http://dixonbayco.com) by selecting the "Resources" menu