

Fuel Delivery

Top "D" Handle Elbows

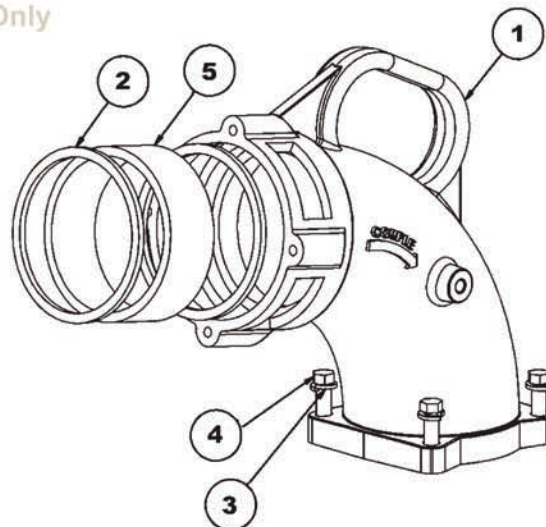
Fits 6000 Elbow Only

Bill of Materials

Item #	Description	Part #	Qty
1	body	6200-1	1
2A	Baylast™ gasket	4433	2
2B	FKM gasket (optional)	4426	2
3	lock washer	use kit 6000EHK	4
4	bolt	use kit 6000EHK	4
5	sight glass	use kit 6200SGK	1

Repair Kits

Part #	Description	Includes Item #
6200SGK	replacement sight glass and Baylast™ seal	2, 5
6000EHK	replacement bolts and washers	3, 4



Bottom Unit, for "D" Handle Elbows

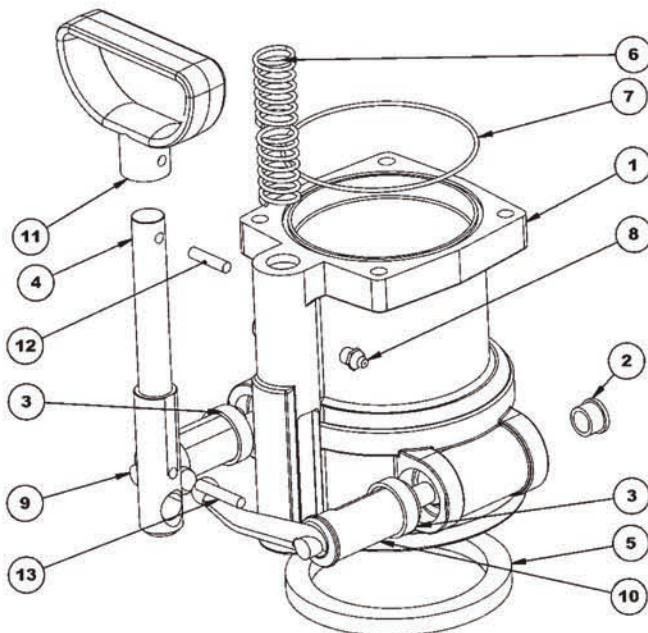
Fits 6000, 6303 and 6304

Bill of Materials

Item #	Description	Part #	Qty
1	body	use kit 6030	1
2	small bushing	use kit 6200BK	2
3	large bushing	use kit 6200BK	2
4	handle stem	6000-7	1
5	main gasket	6000-9	1
6	spring	112012	1
7	O-ring	AS156	1
8	grease nipple	NIPPLE/1	1
9	right arm	use kit 6200ARK	1
10	left arm	use kit 6200ARK	1
11	handle	6000-8	1
12	handle pin	6000-13	1
13	pin	6000-12	1

Repair Kits

Part #	Description	Includes Item #
6030	complete replacement bottom unit	all
6200ARK	replacement L and R arms, main gasket, O-rings, small and large bushings	2, 3, 5, 7, 9, 10
6200BK	replacement (2) small & (2) large bushings	2, 3



Petroleum Replacement Parts

Product instruction sheets and technical data can be viewed on our website at dixonbayco.com by selecting the "Resources" menu