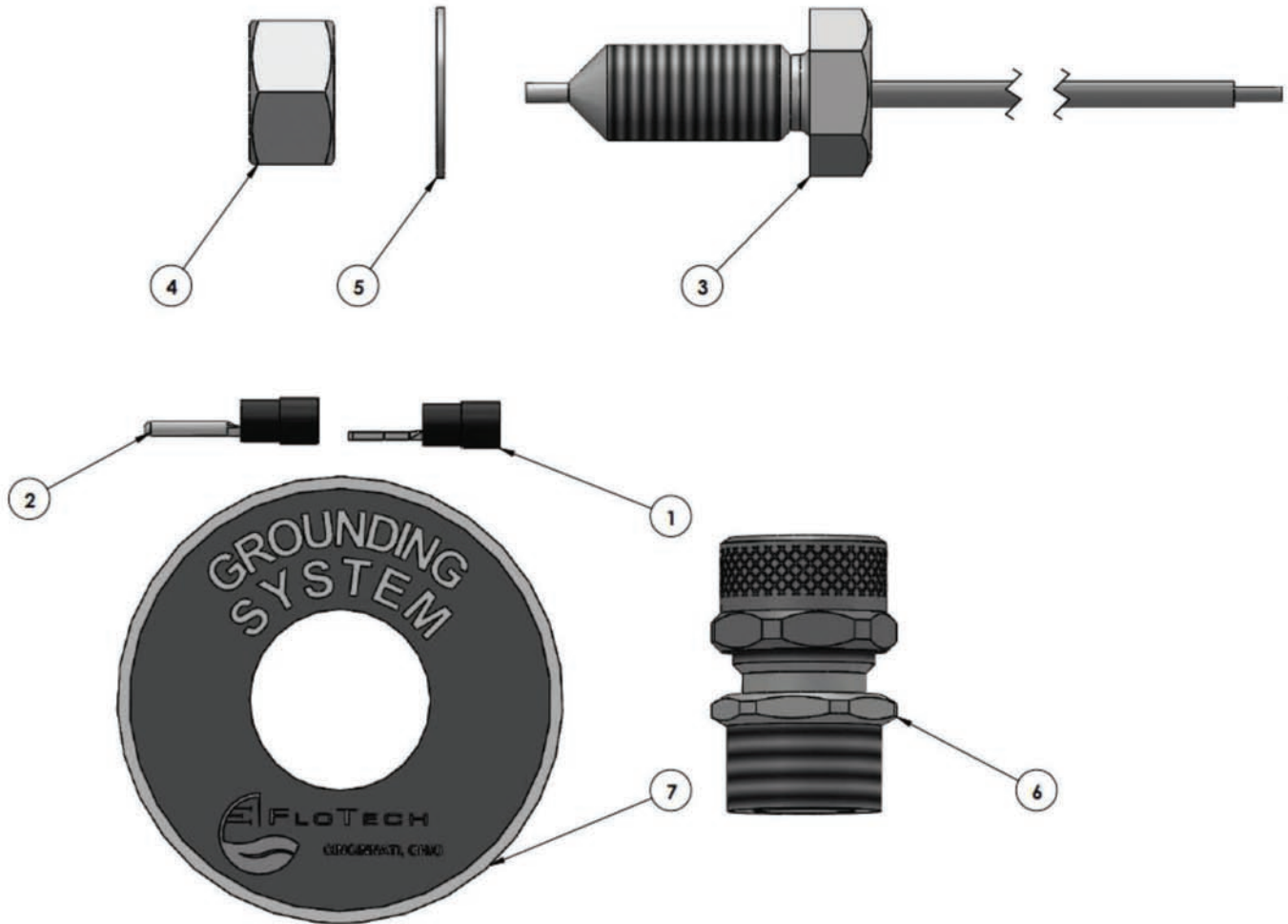


# Fuel Tanker Overfill Detection

## FT450 Ground Bolt



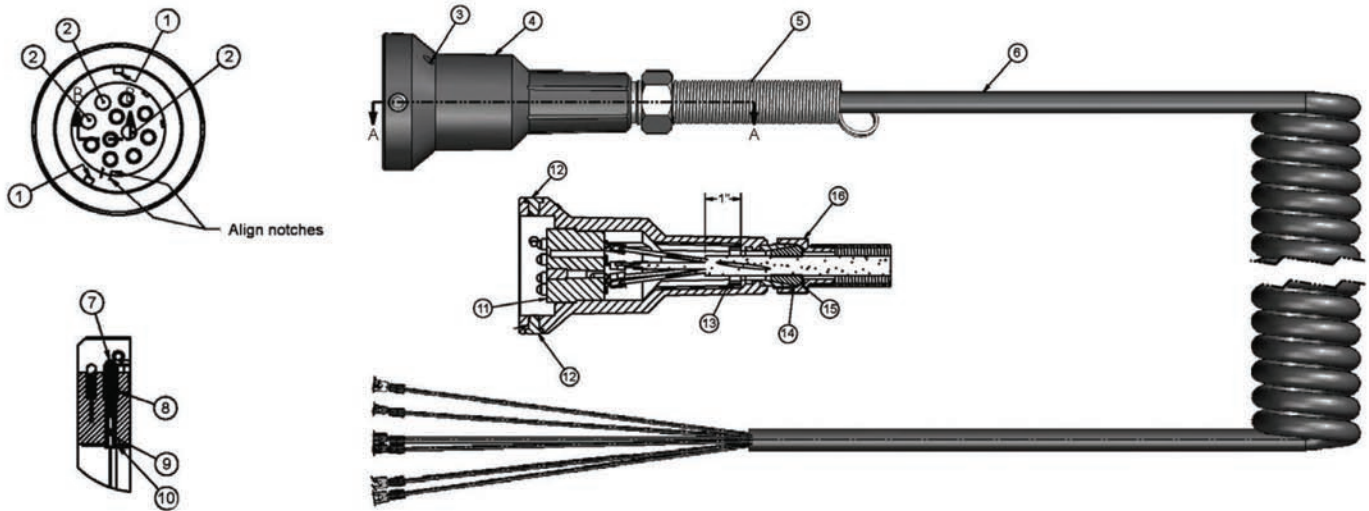
### Bill of Materials

Item #	Description	Part #	Qty
1	locking spade	10102	1
2	terminal pin	10123	1
3	stainless steel ground bolt	10223	1
4	stainless steel nut - ground bolt 1/2"-13	10224	1
5	stainless steel lock washer internal tooth	10225	1
6	strain relief 1/2" NPT	10229	1
7	aluminum label - ground bolt	10562	1

Product instruction sheets and technical data can be viewed on our website at [dixonbayco.com](http://dixonbayco.com) by selecting the "Resources" menu

# Fuel Tanker Overfill Detection

## Rack Cords



### Bill of Materials

Item #	Description	Part #	FT600	FT600C	FT600S	FT600SC	FT620	FT620S
1	bayonet stud	<b>10718SS</b>	2	4	2	4	3	3
2	plastic black pin insert	<b>BLACK BUTTON INSERT</b>	3	1	3	1	5	5
3	stainless screw	<b>10717SS</b>	1	1	1	1	5	1
4A	green "thermistor" glass reinforced nylon plug body	<b>10523NY-004</b>	1	1	1	1	n/a	n/a
4B	blue "optic" glass reinforced nylon plug body	<b>10523NY-003</b>	n/a	n/a	n/a	n/a	1	1
5	stainless, cable bend restrictor spring	<b>10250</b>	1	1	1	1	1	1
6A	thermistor cable assembly 30' coiled (US)	<b>10259</b>	1	n/a	n/a	n/a	n/a	n/a
6B	thermistor cable assembly 30' coiled (Canada)	<b>10259-C</b>	n/a	1	n/a	n/a	n/a	n/a
6C	thermistor cable assembly 20' straight (US)	<b>10259-S</b>	n/a	n/a	1	n/a	n/a	n/a
6D	thermistor cable assembly 20' straight (Canada)	<b>10259-CS</b>	n/a	n/a	n/a	1	n/a	n/a
6E	optic cable assembly 30' coiled (US)	<b>10290</b>	n/a	n/a	n/a	n/a	1	n/a
6F	optic cable assembly 30' straight (US)	<b>10290-S</b>	n/a	n/a	n/a	n/a	n/a	1
7	plug pin	<b>10550SS</b>	8	10	8	10	6	6
8	stainless plug spring	<b>10253</b>	8	10	8	10	6	6
9	set screw	<b>10260</b>	8	10	8	10	6	6
10	retaining ring	<b>10252</b>	8	10	8	10	6	6
11	long plastic contact block	<b>10524PL-001</b>	1	1	1	1	1	1
12	aluminum bayonet pin plug	<b>10718PLUG</b>	2	4	2	4	n/a	n/a
13	stainless double ear pinch on clamp	<b>SINGLE1518R</b>	1	1	1	1	1	1
14	cord grip bushing	<b>10715NP</b>	1	1	1	1	1	1
15	cord grip washer	<b>10716ST</b>	1	1	1	1	1	1
16	aluminum strain relief nut	<b>10249</b>	1	1	1	1	1	1

### Repair Kits

Part #	Description	Includes Item #
<b>FT601</b>	Replacement thermistor plug assembly, 8 pin 4 J slot (US)	1-4A,5,7-11,14-16
<b>FT601-10</b>	Replacement thermistor plug assembly, 10 pin 4 J slot (Canada)	1-4A,5,7-11,14-16
<b>FT621</b>	Replacement optic plug assembly, 6 pin 3 J slot (US)	1-4B,5,7-11,14-16

Product instruction sheets and technical data can be viewed on our website at [dixonbayco.com](http://dixonbayco.com) by selecting the "Resources" menu