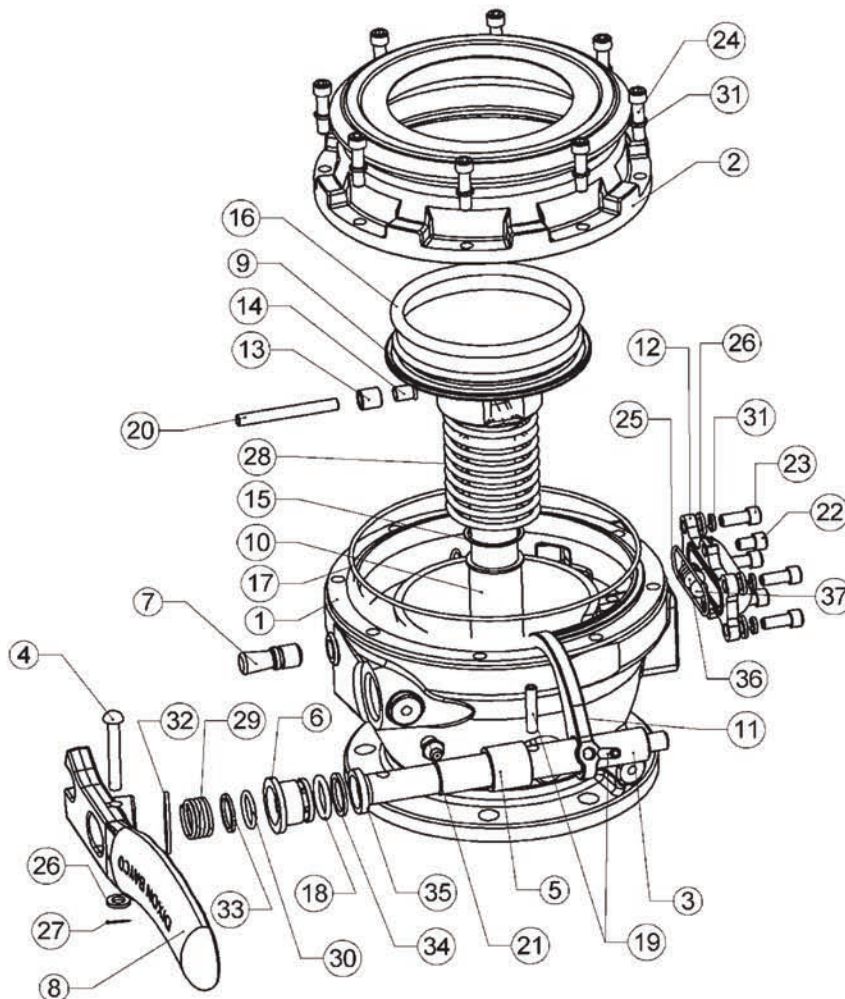


# Fuel Tanker Loading and Unloading

## 5204 Series, API Bottom Load Valves



Petroleum  
Replacement Parts

### Repair Kits

| Part #         | Description  | Include items #                          |
|----------------|--|--|
| <b>5204K2</b>  | complete rebuild kit: Baylast™ O-rings, bearings   | 6,10, 13, 14, 16A, 17A, 18A, 25A, 30, 35 |
| <b>5204KV2</b> | complete rebuild kit: FKM poppet O-ring, Baylast™ O-rings, bearings                          | 6,10, 13, 14, 16B, 17B, 18B, 25B, 30, 35 |
| <b>5204K3</b>  | replacement anodized nose ring with Baylast™ gasket, screws and lock washers                 | 2, 17A, 24, 31                           |
| <b>5204K5</b>  | replacement detachable handle assembly (for 5204C and 5204NGC)                               | not illustrated                          |
| <b>5204K6</b>  | PTFE encapsulated seal kit, poppet O-ring, nose O-ring, shaft O-ring, and sight glass O-ring | 16C, 17B, 18B, 25B                       |
| <b>5204K7</b>  | replacement fixed handle assembly  | 4, 8A, 26, 27, 29, 32                    |
| <b>5204K8</b>  | sight glass repair kit   | 12, 25A, 36, 37                          |
| <b>5204K9</b>  | sight glass cover kit (to convert units with sight glass to non-sight glass)                 | not illustrated                          |
| <b>5204K11</b> | nose ring replacement 8 hex bolts & 8 washers kit  | 24, 31                                   |
| <b>5204K12</b> | sight glass replacement hardware, 6 hex bolts, 6 lock washers and 4 washers kit              | 23, 26, 31                               |
| <b>5204K13</b> | replacement full body sight glass, seals and retainer kit                                    | 38, 39, 40                               |

Product instruction sheets and technical data can be viewed on our website at [dixonbayco.com](http://dixonbayco.com) by selecting the "Resources" menu

# Fuel Tanker Loading and Unloading

## 5204 Series, API Bottom Load Valves

### Bill of Materials

### Qty of Components per Unit

| Item # | Description                       | Part #                 | 5204 | 5204NG | 5204TNG | 5204SNG | 5204NGV | 5204C | 5204NGC | 5204L | 5204LNG |
|--------|-----------------------------------|------------------------|------|--------|---------|---------|---------|-------|---------|-------|---------|
| 1      | body - pipe end                   | ---                    | 1    | 1      | 1       | 1       | 1       | 1     | 1       | 1     | 1       |
| 2      | nose ring                         | use kit <b>5204K3</b>  | 1    | 1      | 1       | 1       | 1       | 1     | 1       | 1     | 1       |
| 3      | shaft                             | <b>390812</b>          | 1    | 1      | 1       | 1       | 1       | 1     | 1       | N/A   | N/A     |
| 4      | handle pin                        | <b>111559</b>          | 1    | 1      | 1       | 1       | 1       | N/A   | N/A     | N/A   | N/A     |
| 5      | shaft spacer                      | <b>390813</b>          | 1    | 1      | 1       | 1       | 1       | 1     | 1       | N/A   | N/A     |
| 6      | shaft bearing                     | <b>111557</b>          | 1    | 1      | 1       | 1       | 1       | 1     | 1       | N/A   | N/A     |
| 7      | stop pin                          | <b>5204-SP</b>         | 1    | 1      | 1       | 1       | 1       | 1     | 1       | N/A   | N/A     |
| 8A     | fixed handle                      | use kit <b>5204K7</b>  | 1    | 1      | 1       | 1       | 1       | N/A   | N/A     | N/A   | N/A     |
| 8B     | removeable handle                 | use kit <b>5204K5</b>  | N/A  | N/A    | N/A     | N/A     | N/A     | 1     | 1       | N/A   | N/A     |
| 9A     | poppet (load/unload versions)     | <b>341755</b>          | 1    | 1      | 1       | 1       | 1       | 1     | 1       | N/A   | N/A     |
| 9B     | poppet (load only versions)       | <b>341756</b>          | N/A  | N/A    | N/A     | N/A     | N/A     | N/A   | N/A     | 1     | 1       |
| 10     | poppet bearing                    | <b>341801</b>          | 1    | 1      | 1       | 1       | 1       | 1     | 1       | 1     | 1       |
| 11     | cam                               | <b>111550</b>          | 1    | 1      | 1       | 1       | 1       | 1     | 1       | N/A   | N/A     |
| 12     | sight glass                       | use kit <b>5204K8</b>  | 1    | N/A    | N/A     | N/A     | N/A     | 1     | N/A     | 1     | N/A     |
| 13     | poppet roller                     | <b>390815</b>          | 1    | 1      | 1       | 1       | 1       | 1     | 1       | N/A   | N/A     |
| 14     | poppet roller bearing             | <b>111556</b>          | 1    | 1      | 1       | 1       | 1       | 1     | 1       | N/A   | N/A     |
| 15     | retaining ring                    | <b>111560</b>          | 1    | 1      | 1       | 1       | 1       | 1     | 1       | 1     | 1       |
| 16A    | Baylast™ poppet O-ring            | <b>5204K1</b>          | 1    | 1      | N/A     | 1       | N/A     | 1     | 1       | 1     | 1       |
| 16B    | FKM poppet O-ring                 | <b>5204KV1</b>         | N/A  | N/A    | N/A     | N/A     | 1       | N/A   | N/A     | N/A   | N/A     |
| 16C    | PTFE encapsulated poppet O-ring   | use kit <b>5204K6</b>  | N/A  | N/A    | 1       | N/A     | N/A     | N/A   | N/A     | N/A   | N/A     |
| 17A    | nose ring O-ring                  | <b>111554</b>          | 1    | 1      | N/A     | 1       | 1       | 1     | 1       | 1     | 1       |
| 17B    | PTFE nose O-ring                  | use kit <b>5204K6</b>  | N/A  | N/A    | 1       | N/A     | N/A     | N/A   | N/A     | N/A   | N/A     |
| 18A    | shaft O-ring                      | <b>111552</b>          | 1    | 1      | N/A     | 1       | 1       | 1     | 1       | N/A   | N/A     |
| 18B    | PTFE shaft O-ring                 | use kit <b>5204K6</b>  | N/A  | N/A    | 1       | N/A     | N/A     | N/A   | N/A     | N/A   | N/A     |
| 19     | shaft and cam roll pin            | <b>6000-12</b>         | 2    | 2      | 2       | 2       | 2       | 2     | 2       | N/A   | N/A     |
| 20     | pin roller                        | <b>111566</b>          | 1    | 1      | 1       | 1       | 1       | 1     | 1       | N/A   | N/A     |
| 21     | grease fitting                    | <b>111561</b>          | 1    | 1      | 1       | 1       | 1       | 1     | 1       | N/A   | N/A     |
| 23     | sight glass screw                 | use kit <b>5204K12</b> | 6    | N/A    | N/A     | N/A     | N/A     | 6     | N/A     | 6     | N/A     |
| 24     | nose ring screw                   | use kit <b>5204K11</b> | 8    | 8      | 8       | 8       | 8       | 8     | 8       | 8     | 8       |
| 25A    | Baylast™ sight glass O-ring       | use kit <b>5204K8</b>  | 1    | N/A    | N/A     | N/A     | N/A     | 1     | N/A     | 1     | N/A     |
| 25B    | PTFE sight glass O-ring           | use kit <b>5204K6</b>  | N/A  | N/A    | N/A     | N/A     | N/A     | N/A   | N/A     | N/A   | N/A     |
| 26     | washer                            | <b>111562</b>          | 5    | 1      | 1       | 1       | 1       | 4     | N/A     | 4     | N/A     |
| 27     | cotter pin                        | <b>111563</b>          | 1    | 1      | 1       | 1       | 1       | N/A   | N/A     | N/A   | N/A     |
| 28A    | main spring-steel                 | <b>111564</b>          | 1    | 1      | N/A     | N/A     | 1       | 1     | 1       | 1     | 1       |
| 28B    | main spring- stainless steel      | <b>111542</b>          | N/A  | N/A    | 1       | 1       | N/A     | N/A   | N/A     | N/A   | N/A     |
| 29     | handle spring                     | <b>111565</b>          | 1    | 1      | 1       | 1       | 1       | 1     | 1       | N/A   | N/A     |
| 30     | dust seal O-ring                  | <b>111553</b>          | 1    | 1      | 1       | 1       | 1       | 1     | 1       | N/A   | N/A     |
| 31     | lock washer 1/4"                  | <b>111569</b>          | 14   | 8      | 8       | 8       | 8       | 14    | 8       | 14    | 8       |
| 32     | handle shaft spring washer        | <b>111573</b>          | 1    | 1      | 1       | 1       | 1       | 1     | 1       | N/A   | N/A     |
| 33     | handle shaft washer               | <b>111574</b>          | 1    | 1      | 1       | 1       | 1       | 1     | 1       | N/A   | N/A     |
| 34     | back-up ring                      | <b>111579</b>          | 1    | 1      | 1       | 1       | 1       | 1     | 1       | N/A   | N/A     |
| 35     | u-cup seal                        | <b>111580</b>          | 1    | 1      | 1       | 1       | 1       | 1     | 1       | N/A   | N/A     |
| 36     | flow indicator                    | use kit <b>5204K8</b>  | 1    | N/A    | N/A     | N/A     | N/A     | 1     | N/A     | N/A   | N/A     |
| 37     | float ball                        | use kit <b>5204K8</b>  | 1    | N/A    | N/A     | N/A     | N/A     | 1     | N/A     | 1     | N/A     |
| 38 *   | retaining ring                    | use kit <b>5204K13</b> | N/A  | N/A    | N/A     | N/A     | N/A     | N/A   | N/A     | N/A   | N/A     |
| 39 *   | SFI sight glass                   | use kit <b>5204K13</b> | N/A  | N/A    | N/A     | N/A     | N/A     | N/A   | N/A     | N/A   | N/A     |
| 40 *   | SFI sight glass O-ring (Baylast™) | use kit <b>5204K13</b> | N/A  | N/A    | N/A     | N/A     | N/A     | N/A   | N/A     | N/A   | N/A     |

Petroleum Replacement Parts

\* not illustrated, parts for 5204-SFI  
 • N/A = Not Applicable

Product instruction sheets and technical data can be viewed on our website at [dixonbayco.com](http://dixonbayco.com) by selecting the "Resources" menu