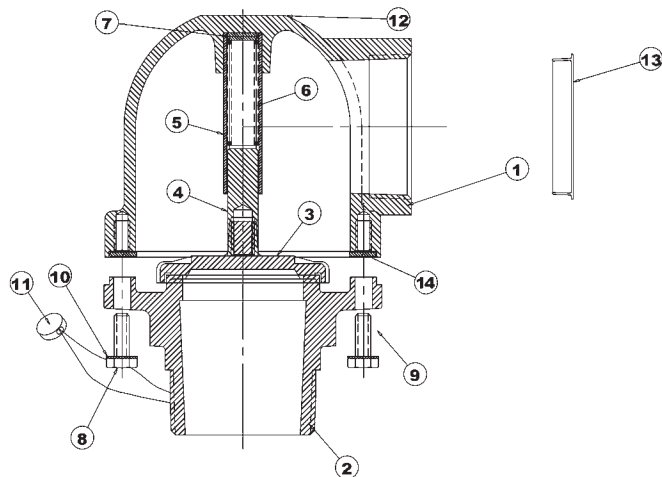


Trailer/Tank Mounted Air Relief Valves

2120 Series 2" Vacuum Relief Valves



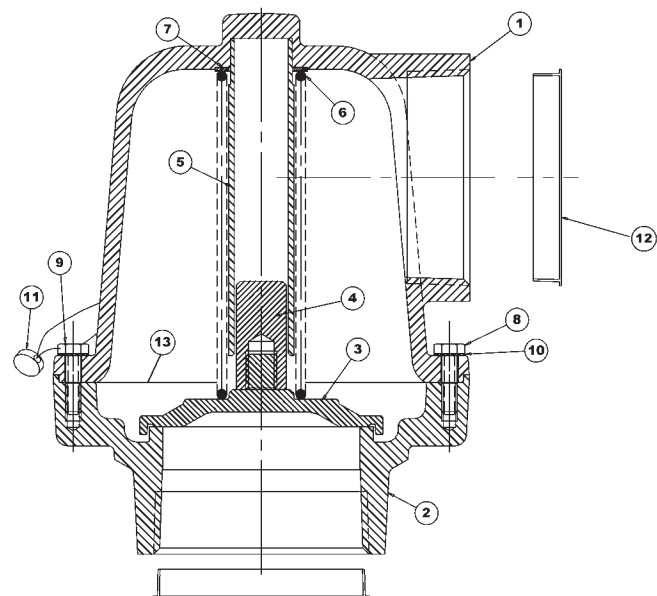
Bill of Materials

Item #	Description	Qty
1	cover	1
2	bottom	1
3	valve	1
4	valve stem	1
5	valve guide	1
6	spring	1
7	set washer	2
8	drilled screw	2
9	screw	2
10	lock washer	4
11	cup seal	1
12	label	1
13	thread plug	1
14	gasket	1

- Repair kits are not available. All 2120 relief valves must be returned to Dixon™ for rebuilding.
- Disassembly, tampering or modifications will void the product warranty and could result in personal injury or death and extensive property damage.



3120 Series 3" Vacuum Relief Valves



Bill of Materials

Item #	Description	Qty
1	top cover	1
2	bottom body	1
3	valve	1
4	valve stem	1
5	stem guide	1
6	spring	1
7	set washer	3
8	screw	4
9	drilled screw	2
10	lock washer	6
11	cup seal	1
12	thread plug	2
13	gasket	1

- Repair kits are not available. All 3120 relief valves must be returned to Dixon™ for rebuilding.
- Disassembly, tampering or modifications will void the product warranty and could result in personal injury or death and extensive property damage.



Dry Bulk Replacement Parts