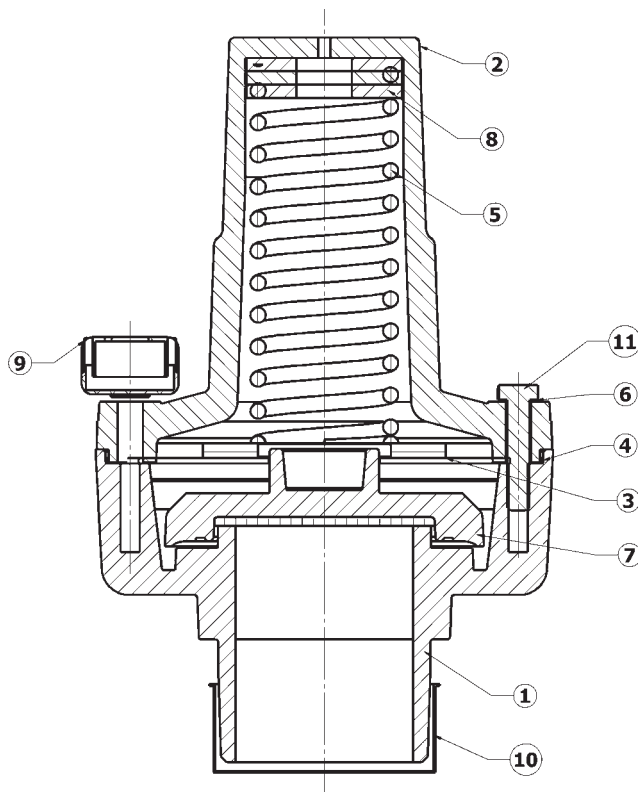


Products for Blowers

2182 Blower 2" Air Relief Valves



Bill of Materials

Item #	Description	Qty
1	vent cowl	1
2	top body	1
3	valve seat	1
4	diaphragm	1
5	spring	1
6	lock washer	4
7	valve plate	1
8	spacer	---
9	cup seal	1
10	cap	1
11	body bolt	4

- Repair kits are not available; 2182 blower relief valves must be returned to Dixon™ for rebuilding.



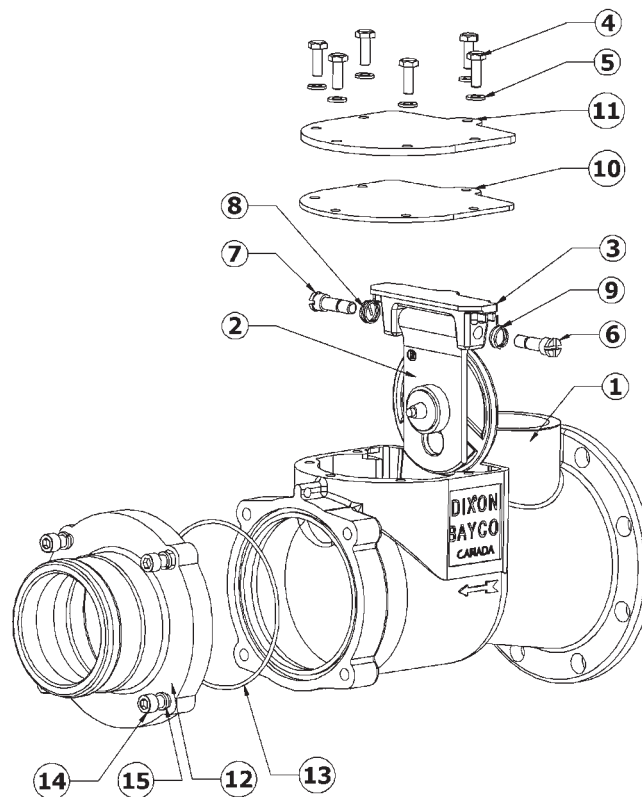
Disassembly, tampering or modifications will void the product warranty and could result in personal injury or death and extensive property damage.

Products for Blowers

High Flow Blower Swing Check Manifold Valves 3090 Series TTMA Flange x Adapter

Bill of Materials

Item #	Description	Part #	Qty
1	swing check manifold body	---	1
2A	valve flapper assembly silicone (3090M, 3090MA, 3090MB and 3090F)	use kit 3090RK2	1
2B	valve flapper assembly metal seal (3091MA)	use kit 3091RK2	1
3	flapper valve yoke	341595	1
4	bolt	use kit 3030HK	6
5	lock washer	use kit 3030HK	6
6	left hand shaft	390799	1
7	right hand shaft	390798	1
8	right hand spring	use kit 3030RK3	1
9	left hand spring	use kit 3030RK3	1
10	cover gasket silicone	112257	1
11	cover	341611	1
12A	3" adapter outlet (for 3090MA, 3090MAS and 3091MA, includes items 14 & 15)	6000-16	1
12B	4" adapter outlet (for 3090MB, and 3090MBS, includes items 14 & 15)	6000-17	1
12C	4" FNPT outlet (for 3090F)	6000-20	1
13	adapter outlet O-ring	3090RK1	1
14	adapter outlet hex bolt	use kit 6000NPHK	4
15	adapter outlet lock washer	use kit 6000NPHK	4



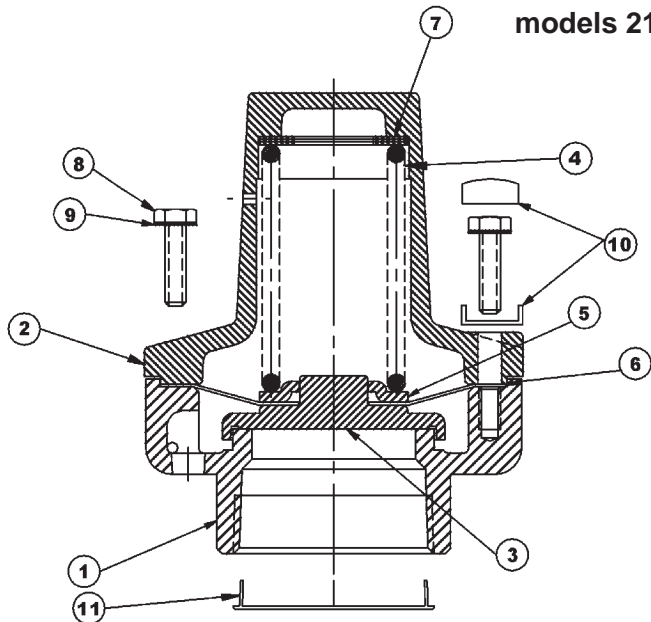
Repair Kits

Part #	Description	Includes Item #
3090RK1	adapter outlet O-ring	13
3091RK2	replacement metal seal flapper kit, flapper assembly, yoke, springs, shafts, cover gasket (for 3091MA)	2B, 3, 4, 5, 6, 7, 8, 9, 10
3090RK2	complete rebuild kit, silicone flapper assembly, yoke, springs, shafts, cover gasket, bolts and lock washers (for 3090M, 3090MA, 3090MB and 3090F)	2A, 3, 4, 5, 6, 7, 8, 9, 10
3091RK1	complete rebuild kit, metal seat flapper assembly, yoke, springs, shafts, cover gasket, bolts and lock washers (for 3091MA)	2B, 3, 4, 5, 6, 7, 8, 9, 10
3030HK	replacement cover bolts and lock washers	4, 5
3030RK3	replacement left and right springs	8, 9
3030SK	optional anti-tamper security kit for swing check lid, 2 security bolts and wire seal	not illustrated
6000NPHK	outlet bolts and lock washers	14, 15

Replacement Parts
Dry Bulk

Products for Blowers

2180 Series 2" Air Relief Valves models 2180 and A2180



Bill of Materials

Item #	Description	Qty
1	vent cowl	1
2	top body	1
3	valve	1
4	spring	1
5	valve seat	1
6	diaphragm	1
7	spacers	---
8	body bolt	4
9	body bolt washer	4
10	cup seal	1
11	plug	1

- Only 15 PSI and 18 PSI repair kits are available (below), all valves of other pressure settings must be returned to Dixon™ for rebuilding.

The detailed instructions enclosed with each repair kit must be followed. Failure to comply with these instructions including disassembly, tampering or modifications using processes and parts not described in these instructions or supplied with this rebuild kit will void the product warranty and could result in personal injury or death and extensive property damage.

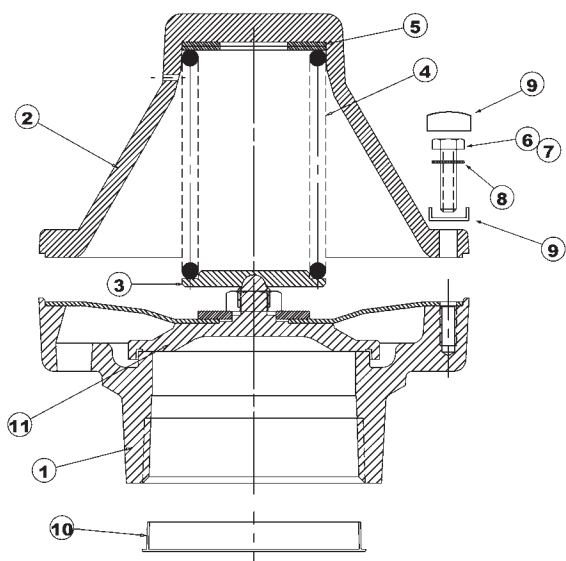


Repair Kits

Part #	Description	Includes Item #
2180RK-15	2180/15 repair kit, 15 PSI spring (+2/-0 PSI tolerance), spring seat, diaphragm, valve plate, bolts, lockwashers, tamper proof seal and valve label	3, 4, 5, 6, 8, 9, 10
2180RK-15A	A2180/15 repair kit, 15 PSI spring (+1/-1 PSI tolerance), spring seat, diaphragm, valve plate, bolts, lockwashers, tamper proof seal and valve label	3, 4, 5, 6, 8, 9, 10
2180RK-18	2180/18 repair kit, 18 PSI spring (+2/-0 PSI tolerance), spring seat, diaphragm, valve plate, bolts, lockwashers, tamper proof seal and valve label	3, 4, 5, 6, 8, 9, 10
2180RK-18A	A2180/18 repair kit, 18 PSI spring (+1/-1 PSI tolerance), spring seat, diaphragm, valve plate, bolts, lockwashers, tamper proof seal and valve label	3, 4, 5, 6, 8, 9, 10

Repair kits fit the 2180 series (non adjustable) relief valves with female NPT, grooved and cam and groove adapter ends (not for use in the adjustable 2180 series).

3180 Series 3" Air Relief Valves



Bill of Materials

Item #	Description	Qty
1	bottom cowl	1
2	cover	1
3	spring seat	1
4	spring	1
5	set washer	1
6	hex screw	2
7	drilled screw	2
8	lock washer	4
9	cup seal	1
10	plug	1
11	valve sub-assembly	1

- Repair kits are not available. All 3180 and A3180 relief valves must be returned to Dixon™ for rebuilding.
- Disassembly, tampering or modifications will void the product warranty and could result in personal injury or death and extensive property damage.



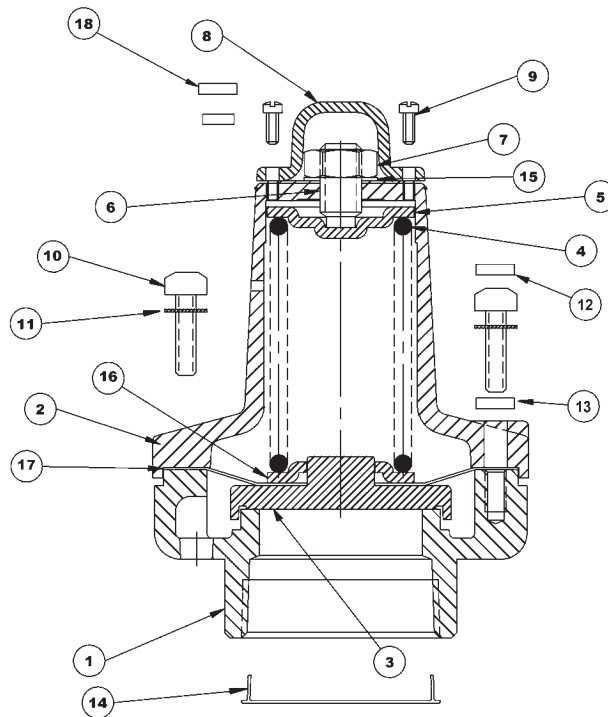
Products for Blowers

2" and 3" Adjustable Air Relief Valves models A2180ADJ and A3180ADJ

Bill of Materials

Item #	Description	Qty
1	vent cowl	1
2	top body	1
3	valve	1
4	spring	1
5	spring plate	1
6	adjustable screw	1
7	lock nut	1
8	adjustment cap	1
9	cap screw	2
10	body screw	4
11	body screw lock washer	4
12	cup seal top	1
13	cup seal bottom	1
14	plug	1
15	lock washer	1
16	spring seat	1
17	diaphragm	1
18	cap screw cup seal	1

- Repair kits are not available. All adjustable relief valves must be returned to Dixon™ for rebuilding.
- Disassembly, tampering or modifications will void the product warranty and could result in personal injury or death and extensive property damage.

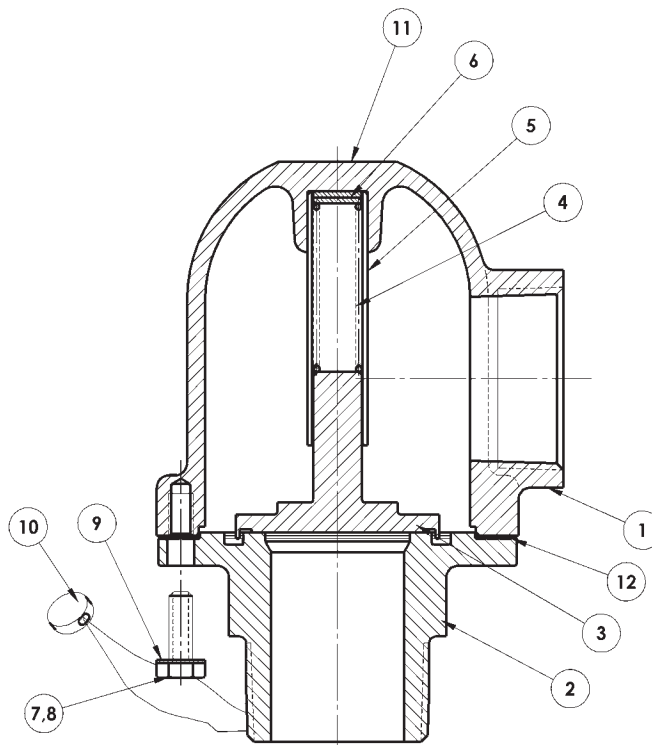


1120 Series 1½" Vacuum Relief Valves

Bill of Materials

Item #	Description	Qty
1	cover	1
2	bottom	1
3	valve	1
4	spring	1
5	stem guide	1
6	spacer	2
7	drilled screw	2
8	screw	2
9	lock washer	4
10	cup seal	1
11	label	1
12	gasket	1

- Repair kits are not available. All 1120 relief valves must be returned to Dixon™ for rebuilding.
- Disassembly, tampering or modifications will void the product warranty and could result in personal injury or death and extensive property damage.



Dry Bulk Replacement Parts