

# Butterfly Valves

<b>Application:</b>	Butterfly valves are commonly used on dry bulk tankers to control the flow of product; designed to be placed between 2 ASME/ANSI 125 or 150 lb. flanges.
<b>Materials:</b>	Aluminum bodies with iron or stainless steel disc, polymer bushings, Buna-N (Nitrile) seals and seats, spring, stem and locking lever pin are stainless steel, aluminum handle and throttling plate.
<b>Features &amp; Benefits:</b>	<ul style="list-style-type: none"> <li>• Rugged cast aluminum</li> <li>• Flange gaskets are not required; the valves elastomer seat also doubles as the flange gasket.</li> <li>• Handles are high strength 713 aluminum, with a retrogressive re-aging process which creates as stronger handle than the cast iron handle which are commonly used in the industry.</li> <li>• Iron or stainless discs are standard for superior wear resistance</li> <li>• FDA approved black or white Buna-N seals, -20°F to 275°F (-29°C to 135°C)</li> </ul>

## One-Piece Aluminum Body with Iron Disc and Black Buna-N Seals



3-480-1500

Valve Size	Flanges Required	Complete Valve Part # <sup>1</sup>	Aluminum Handle Kit Part #	Iron Handle Kit Part #	Replacement Iron Disc Part #	Replacement Black Buna Seat Disc Part #
2"	125/150# flange	<b>2-400-1500</b>	206-23-5	237-23-10	2-400-422237F	2-400-422500
3"	125/150# flange	<b>3-480-1500</b>	206-23-5	237-23-10	3-400-422237F	3-400-422500
4"	125/150# flange	<b>4-480-1500</b>	206-46-5	237-46-10	4-400-422237U	4-400-422500
4"	TTMA	<b>4A-480-1500</b>	206-46-5	237-46-10	4A-400-422237U	4A-400-422500
5"	125/150# flange	<b>5-480-1500</b>	206-46-5	237-46-10	5-400-422237U	5-400-422500
6"	125/150# flange	<b>6-480-1500</b>	206-46-5	237-46-10	6-400-422237U	6-400-422500
8"	125/150# flange	<b>8-400-1500</b>	206-810	---	8-400-4222370	8-400-422500
10"	125/150# flange	<b>10-400-1500</b>	206-1010	---	10-400-4222370	10-400-422500

<sup>1</sup> Handle kits are sold separately, choose aluminum or iron (2" thru 6" aluminum handles have 5 open positions, 8" and 10" aluminum and all iron handles have 10 open positions)

## One-Piece Aluminum Body with Stainless Steel Disc and White Buna-N Seals



3-480-3501

Valve Size	Flanges Required	Complete Valve Part # <sup>1</sup>	Aluminum Handle Kit Part #	Iron Handle Kit Part #	Replacement Stainless Disc Part #	Replacement White Buna Disc Part #
3"	125/150# flange	<b>3-480-3501</b>	206-23-5	237-23-10	3-400-422209F	3-400-422501
4"	125/150# flange	<b>4-480-3501</b>	206-23-5	237-23-10	4-400-422209U	4-400-422501
4"	TTMA	<b>4A-480-3501</b>	206-46-5	237-46-10	4A-400-422209U	4A-400-422501
5"	125/150# flange	<b>5-480-3501</b>	206-46-5	237-46-10	5-400-422209U	5-400-422501
6"	125/150# flange	<b>6-480-3501</b>	206-46-5	237-46-10	6-400-422209U	6-400-422501

<sup>1</sup> Handle kits are sold separately, choose aluminum or iron (aluminum handles have 5 open positions; iron handles have 10 open positions)

Product instruction sheets and technical data, can be viewed on our website at [dixonvalve.com](http://dixonvalve.com)

# Butterfly Valves

## Two-Piece Aluminum Body with Stainless Steel Disc and White Buna N Seals



3-380-828501

**Features:**

- Two-piece valves are designed specifically for pneumatic conveying and abrasive applications
- The seat ID matches the ID of Schedule 40 pipe, resulting in smoother product flow
- Two-piece split body design simplifies field maintenance by eliminating the need for special tools

Valve Size	Flanges Required	Complete Valve Part # <sup>1</sup>	Aluminum Handle Kit Part #	Iron Handle Kit Part #	Replacement Stainless Disc Part #	Replacement White Buna Seat Part #
3"	125/150# flange	<b>3-380-828501</b>	206-23-5	237-23-10	3-390-209F	3-400-422501
4"	125/150# flange	<b>4-380-828U501</b>	206-46-5	237-46-10	4-390-209U	4-400-422501
5"	125/150# flange	<b>5-380-828U501</b>	206-46-5	237-46-10	5-390-209U	5-400-422501
6"	125/150# flange	<b>6-380-828U501</b>	400-206-65	400-237-610	6-390-209U	6-390-393501

<sup>1</sup> Handle kits are sold separately, choose aluminum or iron (aluminum handles have 5 open positions; iron handles have 10 open positions)

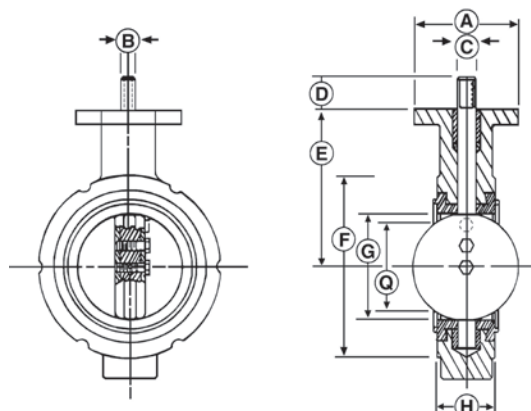
### Butterfly Valve Replacement Parts

Part #	Description
<b>2-400-422240</b>	replacement stainless steel valve stem for 2" valve
<b>3-400-422240</b>	replacement stainless steel valve stem for 3" valve
<b>4-400-422240</b>	replacement stainless steel valve stem for 4" valve
<b>5-400-422240</b>	replacement stainless steel valve stem for 5" valve
<b>6-400-422240</b>	replacement stainless steel valve stem for 6" valve
<b>2-3-400-99-BPKIT</b>	bushing and packing kit for 2" and 3" valves
<b>4-6-400-99-BPKIT</b>	bushing and packing kit for 4", 5" and 6" valves (not for 6" 2-piece valve 6-390-828U501)
<b>6-99-400BPKIT</b>	bushing and packing kit for 6" (6-390-828U501)
<b>2-3-213</b>	stainless screw sets for 2" and 3" valves
<b>4-5-6-213</b>	stainless screw sets for 4", 5" and 6" valves

### Butterfly Valve Dimensions

Size	A	B	C	D	E	F	G	H	Q	lbs.
2"	4.000	0.375	0.563	1.250	3.938	4.125	2.125	1.625	1.688	3
3"	4.000	0.375	0.563	1.250	4.875	5.375	3.125	1.750	2.875	5
4"	4.000	0.438	0.625	1.250	6.000	6.875	4.125	2.000	3.875	8
5"	4.000	0.438	0.625	1.250	6.000	7.625	5.188	2.125	5.000	9
6"	4.000	0.438	0.625	1.250	6.625	8.750	6.125	2.125	6.000	9
8"	6.000	0.500	0.750	1.250	8.313	11.000	8.125	2.500	8.000	--
10"	6.000	0.625	0.875	1.250	9.125	13.375	10.125	2.500	10.000	--

- All dimensions are given in inches
- "Q" dimension is the minimum allowable inside diameter of the pipe or mating flange



Product instruction sheets and technical data, can be viewed on our website at [dixonvalve.com](http://dixonvalve.com)

# Hopper Tees

Application:	Straight and bottom drop tees are used at the base of dry bulk tank hoppers. With straight tees the dry bulk product is unloaded utilizing a blower generated pneumatic flow through the straight tee and air pressure on top of the hopper. The bottom drop tee can be utilized just like the straight tee by using pneumatic conveyance or can be used for gravity dropping of the dry goods by opening the drop door on the base of the tee.
Standards:	Dimensionally interchangeable with industry standard offerings. Flanged to the tank hopper and two 4" grooved pipe ends
Materials:	Cast aluminum construction, urethane lined is an option
Features & Benefits:	<ul style="list-style-type: none"> <li>• Rugged cast aluminum</li> <li>• Straight tees are cast as one-piece</li> <li>• High unloading rates and reduced flow turbulence</li> <li>• Bottom drop tees have easy to use swing out bottom drop door</li> </ul>



DB500TA



DB500LTA



DB600TA



DB600LTA



DB605LTA



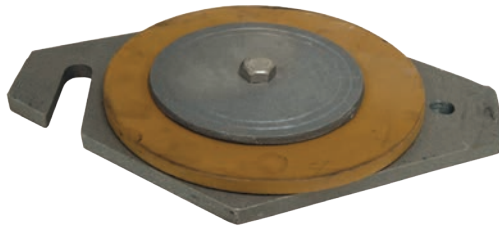
4x4BD TEE

Part #	Connection Type	Urethane Lined	Overall Height	Overall Length
<b>Straight Tees</b>				
<b>4X4-S-TEE</b>	4" hopper flange and 2 - 4" grooved connections	No	6.000"	13.875"
<b>DB500TA</b>	5" hopper flange and 2 - 4" grooved connections	No	6.438"	13.875"
<b>DB500LTA</b>	5" hopper flange and 2 - 4" grooved connections - low profile	No	6.187"	13.875"
<b>5X4-VRST-TEE-K</b>	5" hopper flange and 2 - 4" grooved connections - low profile with retention flange	No	5.375"	13.750"
<b>DB600TA</b>	6" hopper flange and 2 - 4" grooved connections	No	7.000"	13.875"
<b>4X4-S-TEE-E</b>	4" hopper flange and 2 - 4" grooved connections	Yes	6.000"	13.875"
<b>5X4-S-TEE-E</b>	5" hopper flange and 2 - 4" grooved connections	Yes	6.438"	13.875"
<b>5X4-VRST-TEE-E</b>	5" hopper flange and 2 - 4" grooved connections - low profile	Yes	6.187"	13.875"
<b>6X4-S-TEE-E</b>	6" hopper flange and 2 - 4" grooved connections	Yes	7.000"	13.875"
<b>DB600LTA</b>	6" hopper flange and 2 - 4" grooved connections - low profile	No	5.063"	13.875"
<b>DB605LTA</b>	6" hopper flange and 2 - 5" grooved connections - low profile	No	6.094"	13.875"
<b>Bottom Drop Tees</b>				
<b>4X4-BD-TEE</b>	4" hopper flange and 2 - 4" grooved connections	No	8.250"	13.875"
<b>5X4-BD-TEE</b>	5" hopper flange and 2 - 4" grooved connections	No	7.500"	13.875"
<b>5X4-VRBD-TEE</b>	5" hopper flange and 2 - 4" grooved connections - low profile	No	7.250"	13.875"
<b>5X4-VRBD-TEE-K</b>	5" hopper flange and 2 - 4" grooved connections - low profile with retention flange	No	6.200"	13.750"
<b>6X4-BD-TEE</b>	6" hopper flange and 2 - 4" grooved connections	No	7.250"	13.875"
<b>4X4-BD-TEE-E</b>	4" hopper flange and 2 - 4" grooved connections	Yes	8.250"	13.875"
<b>5X4-BD-TEE-E</b>	5" hopper flange and 2 - 4" grooved connections	Yes	7.500"	13.875"
<b>5X4-VRBD-TEE-E</b>	5" hopper flange and 2 - 4" grooved connections - low profile	Yes	7.250"	13.875"
<b>6X4-BD-TEE-E</b>	6" hopper flange and 2 - 4" grooved connections	Yes	7.250"	13.875"

Product instruction sheets and technical data, can be viewed on our website at [dixonvalve.com](http://dixonvalve.com)

# Hopper Tees

## Bottom Tee Replacement Parts



4x4-BDDOORASM

Part #	Description
<b>4X4BD DOOR</b>	4" bottom drop door only
<b>5/6BD DOOR</b>	5" and 6" bottom drop door only
<b>8X4BD DOOR</b>	8" bottom drop door only
<b>4X4-BD GASKET</b>	4" bottom drop door gasket only
<b>5X4-BD GASKET</b>	5" bottom drop door gasket only
<b>6X4-BD GASKET</b>	6" bottom drop door gasket only
<b>8X4-BD GASKET</b>	8" bottom drop door gasket only
<b>4X4BD DOORASBLY</b>	4" bottom drop door assembly with gasket
<b>5X4BD DOORASBLY</b>	5" bottom drop door assembly with gasket
<b>6X4BD DOORASBLY</b>	6" bottom drop door assembly with gasket
<b>8X4BD DOORASBLY</b>	8" bottom drop door assembly with gasket
<b>5X4 WING</b>	5" weld on replacement ring
<b>6X4 WING</b>	6" weld on replacement ring
<b>8X4 WING</b>	8" weld on replacement ring
<b>3/8 T-BOLT</b>	4" bottom drop door T-bolt
<b>3/8 INSERT</b>	4" bottom drop door threaded insert for T-bolt
<b>BD BOLTS</b>	5", 6" and 8" bottom drop door bolt
<b>BD WINGNUT</b>	5", 6" and 8" bottom drop door wing nut
<b>GASKET RETAINER</b>	gasket retainer - all sizes
<b>3/8 RETAINERBOLT</b>	3/8" gasket retainer bolt and lock nut - all sizes
<b>5-RF</b>	retention flange for low profile tees